

16M x 4BANKS x 8BITS DDRII**Table of Content-**

1. FEATURES	3
2. Description	4
3. Pin Configuration	5
4. TFBGA Ball Out Diagrams	9
5. Block Diagrams	12
6. FUNCTIONAL DESCRIPTION	15
6.1 Simplified State Diagram	15
6.2 Basic Functionality	16
6.3 Power On and Initialization	16
6.4 Mode Register and Extended Mode Registers	17
6.5 DDR2 SDRAM Mode Register Set (MRS)	17
6.6 DDR2 SDRAM Extended Mode Register Set (MRS)	19
6.7 DLL Enable/Disable	20
6.8 Output Disable (Qoff)	20
6.9 Single-ended and Differential Data Strobe Signals	21
6.10 Extended Mode Register EMR(2)	21
6.11 Extended Mode Register EMR(3)	21
6.12 Off-Chip Driver (OCD) Impedance Adjustment	23
6.13 On-Die Termination (ODT)	25
6.14 Bank Activate Command	32
6.15 Read and Write Commands and Access Modes	33
6.16 Posted CAS	34
6.17 Burst Mode Operation	36
6.18 Read Command	37
6.19 Write Command	40
6.20 Write Data Mask	43
6.21 Burst Interruption	44
6.22 Precharge Command	45
6.23 Auto-Precharge Operation	49
6.24 Refresh	54
6.25 Power-Down	56
6.26 Other Commands	60

6.27	Input Clock Frequency Change.....	60
7.	Truth tables.....	62
8.	AC & DC Operating Conditions.....	64
8.1	Absolute Maximum Ratings.....	64
8.2	DC Characteristics.....	65
8.3	DC & AC Characteristics.....	66
8.4	Output Buffer Characteristics.....	68
8.5	Full Strength Output V-I Characteristics.....	69
8.6	Reduced Output Drive Characteristics.....	73
8.7	Input / Output Capacitance.....	75
8.8	Power & Ground Clamp V-I Characteristics.....	76
8.9	Overshoot and Undershoot Specification.....	76
9.	Currents Measurement Specifications and Conditions.....	78
9.1	IDD Test Conditions.....	82
10.	Electrical Characteristics.....	84
10.1	Speed Grade Definitions.....	84
10.2	AC Timing Parameters.....	92
10.3	ODT AC Electrical Characteristics.....	91
11.	AC Timing Measurement Conditions.....	92
11.1	Reference Load for Timing Measurements.....	92
11.2	Slew Rate Measurement Conditions.....	92
11.3	Input and Data Setup and Hold Time.....	92
12.	Package Dimensions.....	100
13.	VERSION HISTORY.....	102

1. FEATURES

The 512-Mbit DDR2 SDRAM offers the following key features:

1. 1.8 V \pm 0.1 V Power Supply
2. 1.8 V \pm 0.1 V (SSTL_18) compatible I/O
3. DRAM organizations with 4, 8 and 16 data in/outputs
4. Double Data Rate architecture: two data transfers per clock cycle, four internal banks for concurrent operation
5. CAS - Latency: (2), 3, 4 and 5
6. Burst Length: 4 and 8
7. Differential clock inputs (CK and !CK)
8. Bi-directional, differential data strobes (DQS and !DQS) are transmitted / received with data. Edge aligned with read data and center-aligned with write data.
9. DLL aligns DQ and DQS transitions with clock
10. !DQS - can be disabled for single-ended data strobe operation
11. Commands entered on each positive clock edge, data and data mask are referenced to both edges of DQS
12. Data masks (DM) for write data
13. Posted CAS by programmable additive latency for better command and data bus efficiency
14. Off-Chip-Driver impedance adjustment (OCD) and On-Die-Termination (ODT) for better signal quality.
15. Auto-Precharge operation for read and write bursts
16. Auto-Refresh, Self-Refresh and power saving
17. Power-Down modes
18. Average Refresh Period 7.8 μ s
19. Full and reduced Strength Data-Output Drivers
20. 1K page size for x4 & x8, 2K page size for x16
21. Packages: P-TFBGA-60 for x4 & x8 components P-TFBGA-84 for x16 components

RoHS Compliant Products

Table 1 High Performance DDR2–667D

Product Type Speed Code			-3S	Unit
Speed Grade			DDR2-667D 5-5-5	—
max. Clock Frequency	CL5	f_{CK5}	333	MHz
	CL4	f_{CK4}	266	MHz
	CL3	f_{CK3}	200	MHz
min. RAS-CAS-Delay		t_{RCD}	15	ns
min. Row Precharge Time		t_{RP}	15	ns
min. Row Active Time		t_{RAS}	45	ns
min. Row Cycle Time		t_{RC}	60	ns

Table 2 High Performance for DDR2-400B and DDR2-533C

Product Type Speed Code			-3.7	-5	Unit
Speed Grade			DDR2-533C 4-4-4	DDR2-400B 3-3-3	—
max. Clock Frequency	CL5	f _{CK5}	266	200	MHz
	CL4	f _{CK4}	266	200	MHz
	CL3	f _{CK3}	200	200	MHz
min. RAS-CAS-Delay		t _{RCD}	15	15	ns
min. Row Precharge Time		t _{RP}	15	15	ns
min. Row Active Time		t _{RAS}	45	40	ns
min. Row Cycle Time		t _{RC}	60	55	ns

2. Description

The 512-Mb DDR2 DRAM is a high-speed Double-Data-Rate-2 CMOS Synchronous DRAM device containing 536,870,912 bits and internally configured as a quad-bank DRAM. The 512-Mb device is organized as either 32 Mbit × 4 I/O × 4 banks, 16 Mbit × 8 I/O × 4 banks or 8 Mbit × 16 I/O × 4 banks chip. These synchronous devices achieve high speed transfer rates starting at 400 Mb/sec/pin for general applications.

The device is designed to comply with all DDR2 DRAM key features:

1. posted CAS with additive latency,
2. write latency = read latency - 1,
3. normal and weak strength data-output driver,
4. Off-Chip Driver (OCD) impedance adjustment
5. On-Die Termination (ODT) function.

All of the control and address inputs are synchronized with a pair of externally supplied differential clocks. Inputs are latched at the cross point of differential clocks (CK rising and !CK falling). All I/Os are synchronized with a single ended DQS or differential DQS-IDQS pair in a source synchronous fashion.

A 16-bit address bus for ×4 and ×8 organized components and a 15-bit address bus for ×16 components is used to convey row, column and bank address information in a RAS-CAS multiplexing style.

The DDR2 device operates with a 1.8 V ± 0.1 V power supply. An Auto-Refresh and Self-Refresh mode is provided along with various power-saving power-down modes.

The functionality described and the timing specifications included in this data sheet are for the DLL Enabled mode of operation. The DDR2 SDRAM is available in P-TFBGA package.

Table 3 Ordering Information for RoHS compliant products

Part Number	Org	Speed	CAS1)RCD2)RP 3) Latencies	Clock (MHz)	CAS1)RCD2)RP 3) Latencies	Clock (MHz)	Package
PT3216BG-5	x16	DDR2-400	3-3-3	200	—	—	P-TFBGA-84
PT6408BG-3.7	x8	DDR2-533	4-4-4	266	3-3-3	200	P-TFBGA-60
PT3216BG-3.7	x16						P-TFBGA-84
PT6408BG-3S	x8	DDR2-667	5-5-5	333	4-4-4	266	P-TFBGA-60
PT3216BG-3S	x16						P-TFBGA-84

- 1) CAS: Column Address Strobe
- 2) RCD: Row Column Delay
- 3) RP: Row Precharge

3. Pin Configuration

The pin configuration of a DDR2 SDRAM is listed by function in Table 4. The abbreviations used in the Pin No./Buffer Type columns are explained in Table 5 and Table 6 respectively. The pin numbering for the FBGA package is depicted in Figure 1 for x4, Figure 2 for x8 and Figure 3 for x16.

Table 4 Pin Configuration of DDR SDRAM

Pin No.	Name	Pin Type	Buffer Type	Function
Clock Signals x4/x8 organizations				
E8	CK	I	SSTL	Clock Signal CK, Complementary Clock Signal !CK
F8	!CK	I	SSTL	
F2	CKE	I	SSTL	Clock Enable
Control Signals x4/x8 organizations				
F7	RAS	I	SSTL	Row Address Strobe (RAS), Column Address Strobe (CAS), Write Enable (WE)
G7	CAS	I	SSTL	
F3	WE	I	SSTL	
G8	CS	I	SSTL	Chip Select
Address Signals x4/x8 organizations				
G2	BA0	I	SSTL	Bank Address Bus 1:0
G3	BA1	I	SSTL	
H8	A0	I	SSTL	Address Signal 12:0, Address Signal 10/Autoprecharge
H3	A1	I	SSTL	
H7	A2	I	SSTL	
J2	A3	I	SSTL	
J8	A4	I	SSTL	
J3	A5	I	SSTL	

J7	A6	I	SSTL	
K2	A7	I	SSTL	
K8	A8	I	SSTL	
K3	A9	I	SSTL	
H2	A10(AP)	I	SSTL	
K7	A11	I	SSTL	
L2	A12	I	SSTL	
L8	A13	I	SSTL	
Data Signals ×4/×8 organizations				
C8	DQ0	I/O	SSTL	Data Signal 7:0
C2	DQ1	I/O	SSTL	
D7	DQ2	I/O	SSTL	
D3	DQ3	I/O	SSTL	
D1	DQ4	I/O	SSTL	
D9	DQ5	I/O	SSTL	
B1	DQ6	I/O	SSTL	
B9	DQ7	I/O	SSTL	
Data Strobe ×4 organizations				
B7	DQS	I/O	SSTL	Data Strobe
A8	!DQS	I/O	SSTL	
Data Strobe ×8 organizations				
B3	RDQS	I/O	SSTL	Read Data Strobe
A2	!RDQS	I/O	SSTL	
Data Mask ×4/×8 organizations				
B3	DM	I	SSTL	Data Mask
Power Supplies ×4/×8 organizations				
E2	V _{REF}	AI	–	I/O Reference Voltage
E1	V _{DDL}	PWR	–	Power Supply
E9,H9,L1	V _{DD}	PWR	–	
E7	V _{SDDL}	PWR	–	
J1,K9	V _{SS}	PWR	–	
Not Connected ×4/×8 organizations				
G1, L3,L7, L8	NC	NC	–	Not Connected
Not Connected ×4 organization				
A2, B1, B9, D1, D9	NC	NC	–	Not Connected
Other Pins ×4/×8 organizations				

F9	ODT	I	SSTL	On-Die Termination Control
Clock Signals ×16 organization				
J8	CK	I	SSTL	Clock Signal CK, Complementary Clock Signal !CK
K8	!CK	I	SSTL	
K2	CKE	I	SSTL	Clock Enable
Control Signals ×16 organization				
K7	RAS	I	SSTL	Row Address Strobe (RAS), Column Address Strobe (CAS), Write Enable (WE)
L7	CAS	I	SSTL	
K3	WE	I	SSTL	
L8	CS	I	SSTL	Chip Select
Address Signals ×16 organization				
L2	BA0	I	SSTL	Bank Address Bus 1:0
L3	BA1	I	SSTL	
M8	A0	I	SSTL	Address Signal 12:0, Address Signal 10/Autoprecharge
M3	A1	I	SSTL	
M7	A2	I	SSTL	
N2	A3	I	SSTL	
N8	A4	I	SSTL	
N3	A5	I	SSTL	
N7	A6	I	SSTL	
P2	A7	I	SSTL	
P8	A8	I	SSTL	
P3	A9	I	SSTL	
M2	A10(AP)	I	SSTL	
P7	A11	I	SSTL	
R2	A12	I	SSTL	
Data Signals ×16 organization				
G8	DQ0	I/O	SSTL	Data Signal 15:0
G2	DQ1	I/O	SSTL	
H7	DQ2	I/O	SSTL	
H3	DQ3	I/O	SSTL	
H1	DQ4	I/O	SSTL	
H9	DQ5	I/O	SSTL	
F1	DQ6	I/O	SSTL	
F9	DQ7	I/O	SSTL	
C8	DQ8	I/O	SSTL	
C2	DQ9	I/O	SSTL	
D7	DQ10	I/O	SSTL	
D3	DQ11	I/O	SSTL	
D1	DQ12	I/O	SSTL	
D9	DQ13	I/O	SSTL	

B1	DQ14	I/O	SSTL	
B9	DQ15	I/O	SSTL	
Data Strobe ×16 organization				
B7	UDQS	I/O	SSTL	Data Strobe Upper Byte
A8	!UDQS	I/O	SSTL	
F7	LDQS	I/O	SSTL	Data Strobe Lower Byte
E8	!LDQS	I/O	SSTL	
Data Mask ×16 organization				
B3	UDM	I	SSTL	Data Mask Upper Byte
F3	LDM	I	SSTL	Data Mask Lower Byte
Power Supplies ×16 organization				
J2	V _{REF}	AI	–	I/O Reference Voltage
E9, G1, G3, G7, G9	V _{DDQ}	PWR	–	I/O Driver Power Supply
J1	V _{DDL}	PWR	–	Power Supply
E1, J9, M9, R1	V _{DD}	PWR	–	
E7, F2, F8, H2, H8	V _{SSQ}	PWR	–	I/O Driver Power Supply
J7	V _{SSDL}	PWR	–	Power Supply
J3, N1, P9	V _{SS}	PWR	–	
Not Connected ×16 organization				
A2, E2, L1, R3 R7, R8	NC	NC	–	Not Connected
Other Pins ×16 organization				
K9	ODT	I	SSTL	On-Die Termination Control
Power Supplies ×4/×8 × 16 organizations				
A9, C1, C3, C7, C9	V _{DDQ}	PWR	–	I/O Driver Power Supply
A1	V _{DD}	PWR	–	Power Supply
A7, B2, B8, D2, D8	V _{SSQ}	PWR	–	I/O Driver Power Supply
A3, E3	V _{SS}	PWR	–	Power Supply

4. TFBGA Ball Out Diagrams

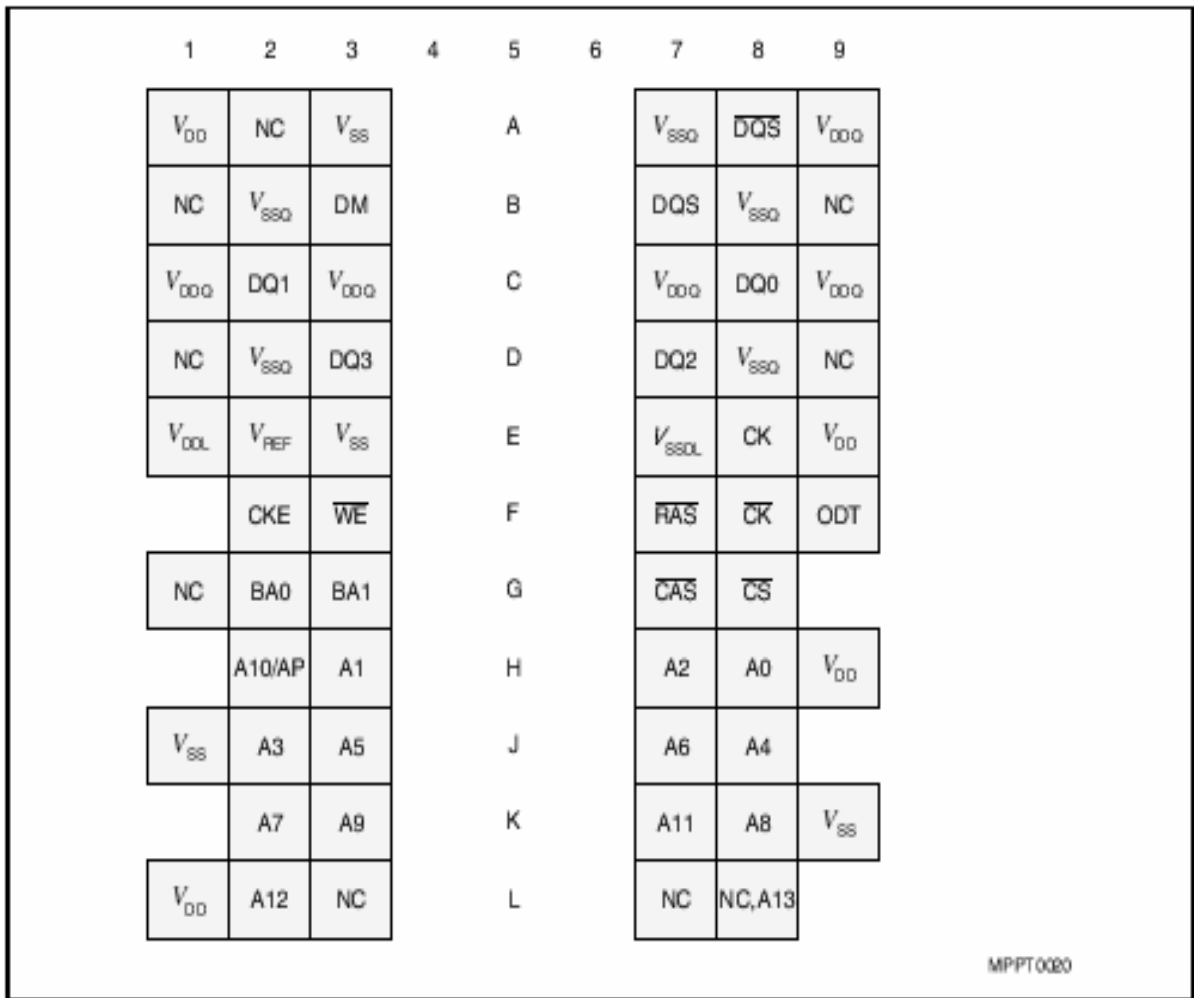
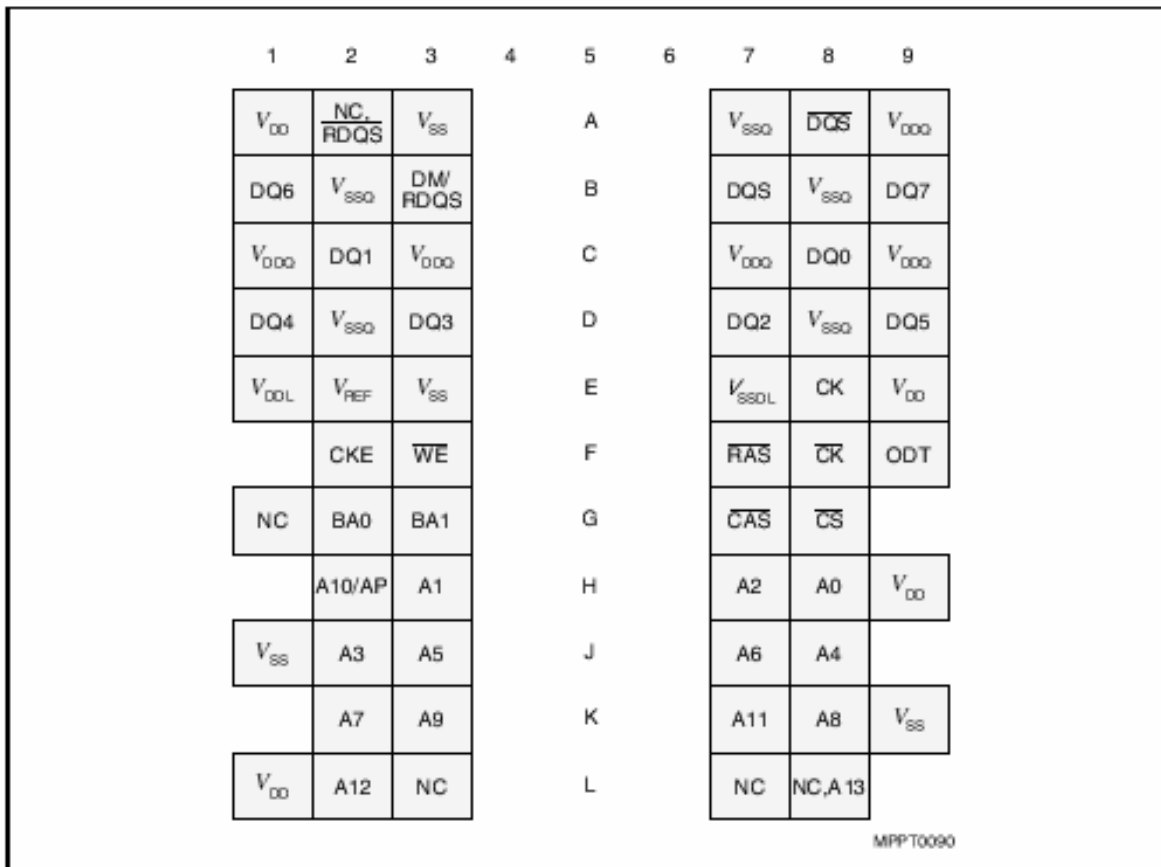


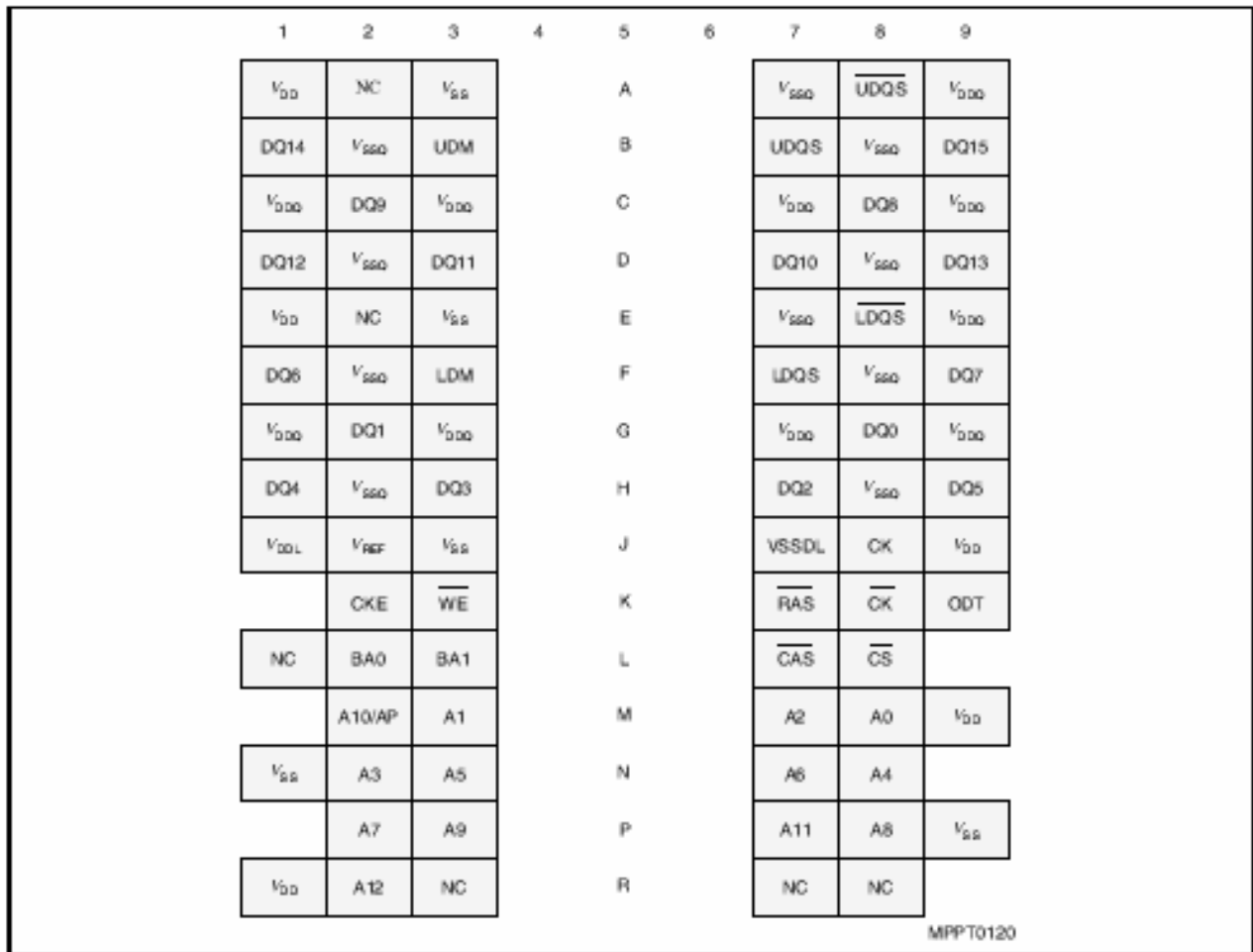
Figure 1 Pin Configuration for $\times 4$ components, P-TFBGA-60 (top view)

Notes

1. V_{DDL} and V_{SSDL} are power and ground for the DLL. They are isolated on the device from V_{DD} , V_{DDQ} , V_{SS} , and V_{SSQ}
2. Ball position L8 is A 13 for 512-Mbit and is Not Connected on 256-Mbit


Figure 2 Pin Configuration for ×8 components, P-TFBGA-60 (top view)
Notes

1. RDQS / !RDQS are enabled by EMRS(1) command.
2. If RDQS / !RDQS is enabled, the DM function is disabled
3. When enabled, RDQS & !RDQS are used as strobe signals during reads.
4. V_{DDL} and V_{SSDL} are power and ground for the DLL. They are isolated on the device from V_{DD} , V_{DDQ} , V_{SS} and V_{SSQ} .
5. Ball position L8 is A 13 for 512-Mbit and is Not Connected on 256-Mbit.


Figure 3 Pin Configuration for $\times 16$ components, P-TFBGA-84 (top view)
Notes

1. UDQS/ $\overline{\text{UDQS}}$ is data strobe for DQ[15:8], LDQS/ $\overline{\text{LDQS}}$ is data strobe for DQ[7:0]
2. LDM is the data mask signal for DQ[7:0], UDM is the data mask signal for DQ[15:8]
3. V_{DDL} and V_{DDSL} are power and ground for the DLL. They are isolated on the device from V_{DD}, V_{DDQ}, V_{SS} and V_{SSQ}.

5. Block Diagrams

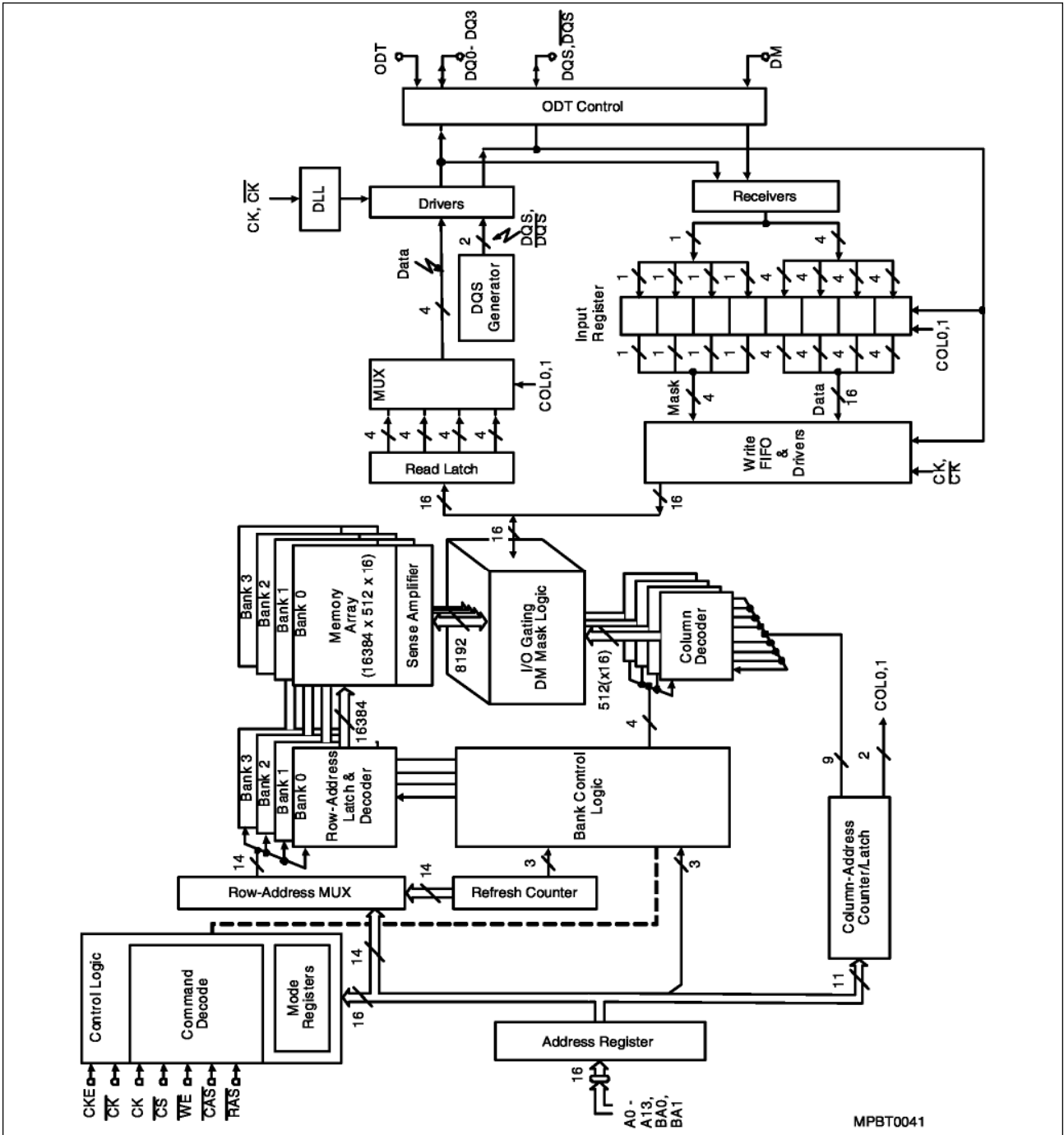


Figure 4 Block Diagram 32 Mbit x 4 I/O x 4 Internal Memory Banks

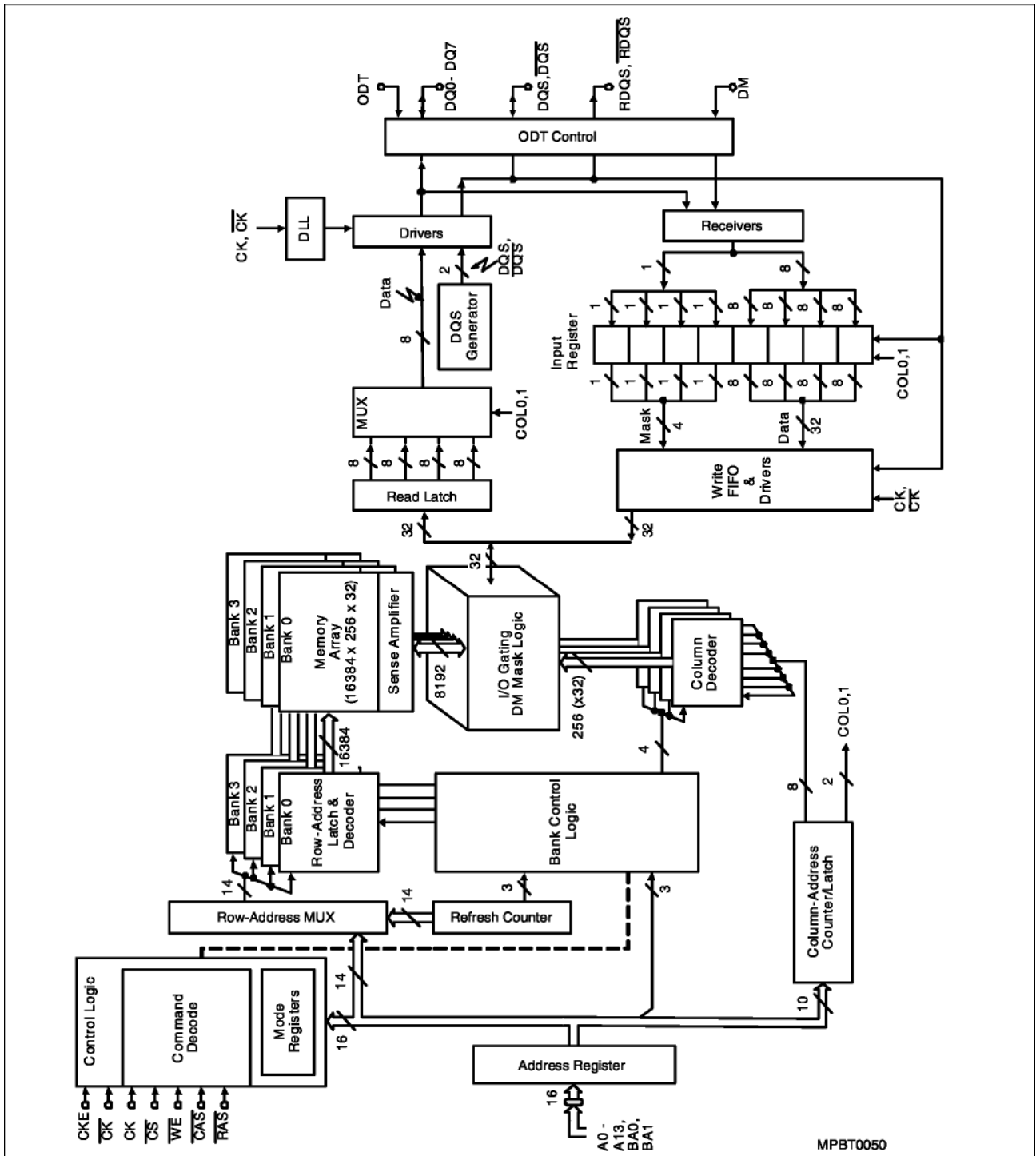


Figure 5 Block Diagram 16 Mbits x 8 I/O x 8 Internal Memory Banks

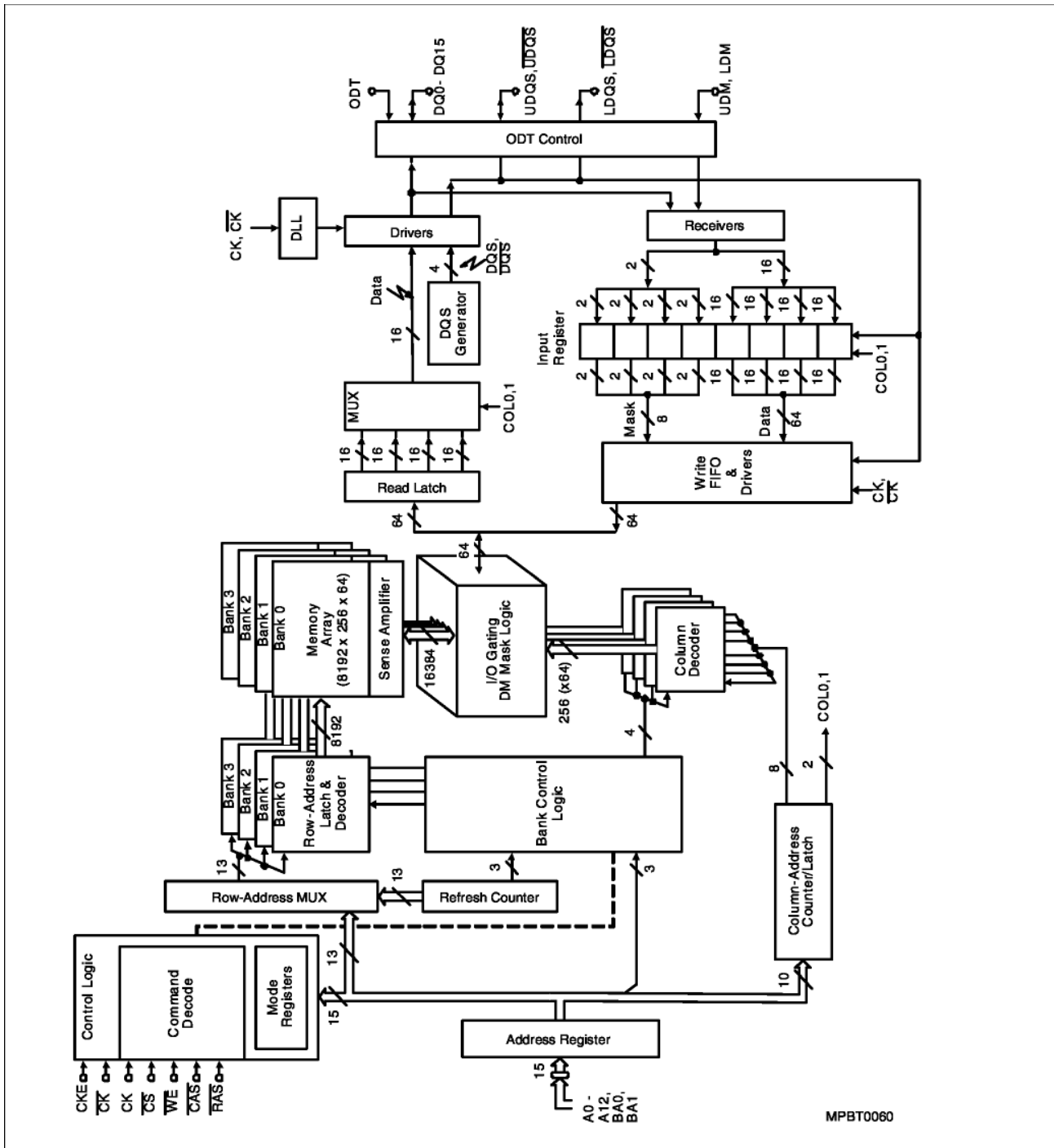
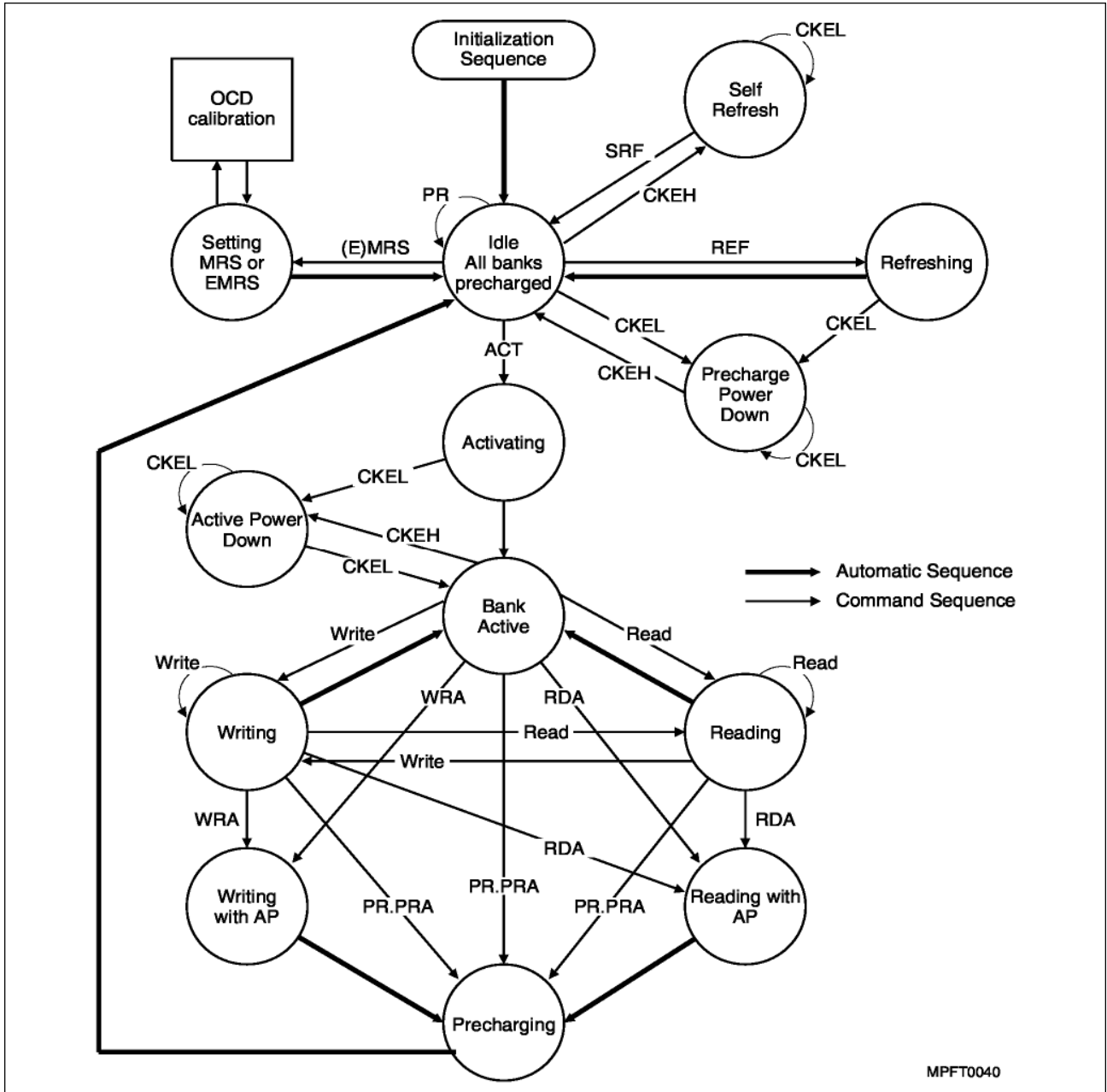


Figure 6 Block Diagram 8 Mbit x 16 I/O x 16 Internal Memory Banks

6. FUNCTIONAL DESCRIPTION

6.1 Simplified State Diagram



6.2 Basic Functionality

Read and write accesses to the DDR2 SDRAM are burst oriented; accesses start at a selected location and continue for the burst length of four or eight in a programmed sequence.

Accesses begin with the registration of an Activate command, which is followed by a Read or Write command. The address bits registered coincident with the activate command are used to select the bank and row to be accessed.

The address bits registered coincident with the Read or Write command are used to select the starting column location for the burst access and to determine if the Auto-Precharge command is to be issued.

Prior to normal operation, the DDR2 SDRAM must be initialized. The following sections provide detailed information covering device initialization, register definition, command description and device operation.

6.3 Power On and Initialization

DDR2 SDRAM must be powered up and initialized in a predefined manner. Operational procedures other than those specified may result in undefined operation.

The following sequence is required for POWER UP and Initialization.

1. Apply power and attempt to maintain CKE below $0.2 \times V_{DDQ}$ and ODT at a low state (all other inputs may be undefined). To guarantee ODT off, V_{REF} must be valid and a low level must be applied to the ODT pin. Maximum power up interval for V_{DD} / V_{DDQ} is specified as 20.0 ms. The power interval is defined as the amount of time it takes for V_{DD} / V_{DDQ} to power-up from 0 V to $1.8 V \pm 100 mV$. At least one of these two sets of conditions must be met:

V_{DD} , V_{DDL} and V_{DDQ} are driven from a single power converter output, AND

V_{TT} is limited to 0.95 V max, AND

V_{REF} tracks $V_{DDQ}/2$

or

Apply V_{DD} before or at the same time as V_{DDL} .

Apply V_{DDL} before or at the same time as V_{DDQ} .

Apply V_{DDQ} before or at the same time as V_{TT} & V_{REF} .

2. Start clock (CK, !CK) and maintain stable power and clock condition for a minimum of 200 μ s.
3. Apply NOP or Deselect commands and take CKE high.
4. Continue NOP or Deselect Commands for 400 ns, then issue a Precharge All command.
5. Issue EMRS(2) command.
6. Issue EMRS(3) command.
7. Issue EMRS(1) command to enable DLL.
8. Issue a MRS command for "DLL reset".
9. Issue Precharge-all command.
10. Issue 2 or more Auto-refresh commands.
11. Issue the final MRS command to turn the DLL on and to set the necessary operating parameter.

12. At least 200 clocks after step 8, issue EMRS(1) commands to either execute the OCD calibration or select the OCD default. Issue the final EMRS(1) command to exit OCD calibration mode and set the necessary operating parameters.
13. The DDR2 SDRAM is now ready for normal operation.

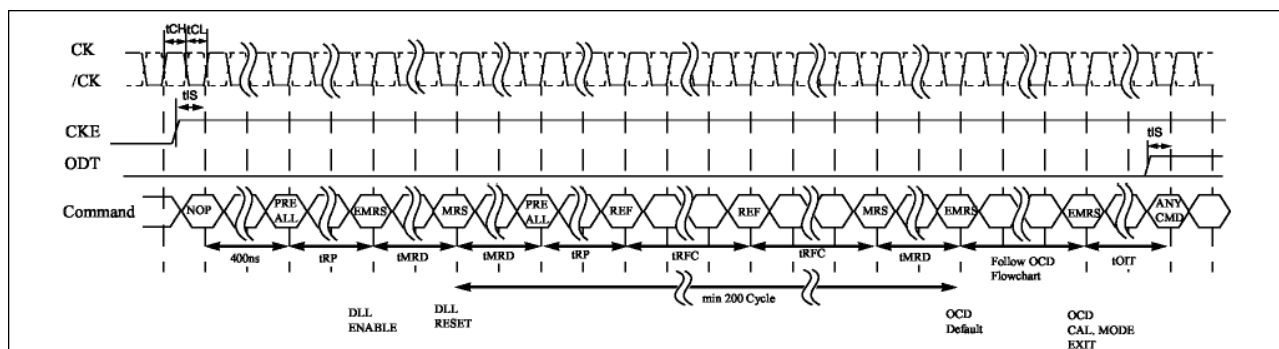


Figure 8 Initialization Sequence after Power up

6.4 Mode Register and Extended Mode Registers

For application flexibility, burst length, burst type, CAS latency, DLL reset function, write recovery time (WR) are user defined variables and must be programmed with a Mode Register Set (MRS) command. Additionally, DLL disable function, additive CAS latency, driver impedance, On Die Termination (ODT), single-ended strobe and Off Chip Driver impedance adjustment (OCD) are also user defined variables and must be programmed with an Extended Mode Register Set (EMRS) command.

Contents of the Mode Register (MR) or Extended Mode Registers (EMR(1, 2, 3)) can be altered by re-executing the MRS and EMRS Commands. If the user chooses to modify only a subset of the MR or EMR variables, all variables must be redefined when the MRS or EMRS commands are issued.

After initial power up, all MRS and EMRS Commands must be issued before read or write cycles may begin. All banks must be in a precharged state and CKE must be high at least one cycle before the Mode Register Set Command can be issued. Either MRS or EMRS Commands are activated by the low signals of CS, RAS, CAS and WE at the positive edge of the clock. When both bank addresses BA[1:0] are 0, the DDR2 SDRAM enables the MRS command. When the bank addresses BA0 is 1 and BA1 is 0, the DDR2 SDRAM enables the EMRS(1) command. The address input data during this cycle defines the parameters to be set as shown in the MRS and EMRS tables. A new command may be issued after the mode register set command cycle time (t_{MRD}).

MRS, EMRS and DLL Reset do not affect array contents, which means reinitialization including those can be executed any time after power-up without affecting array contents.

6.5 DDR2 SDRAM Mode Register Set (MRS)

The mode register stores the data for controlling the various operating modes of DDR2 SDRAM. It programs CAS latency, burst length, burst sequence, test mode, DLL reset, Write Recovery (WR) and various vendor specific options to make DDR2 SDRAM useful for various applications.

The default value of the mode register is not defined, therefore the mode register must be written after power-up for proper operation. The mode register is written by asserting low on CS, RAS, CAS, WE, BA[1:0], while controlling the state of address pins A[13:0]. The DDR2 SDRAM should be in all bank precharged (idle) mode with CKE already high prior to writing into the mode register. The mode register set command cycle time (t_{MRD}) is

required to complete the write operation to the mode register. The mode register contents can be changed using the same command and clock cycle requirements during normal operation as long as all banks are in the precharged state. The mode register is divided into various fields depending on functionality.

Burst length is defined by A[2:0] with options of 4 and 8 bit burst length. Burst address sequence type is defined by A3 and CAS latency is defined by A[6:4]. A7 is used for test mode and must be set to 0 for normal DRAM operation. A8 is used for DLL reset. A[11:9] are used for write recovery time (WR) definition for Auto-Precharge mode. With address bit A12 two Power-Down modes can be selected, a "standard mode" and a "low-power" Power-Down mode, where the DLL is disabled. Address bit A13 and all "higher" address bits have to be set to 0 for compatibility with other DDR2 memory products with higher memory densities.

Table 8 Mode Register Definition (BA[2:0] = 000B)

Field	Bits	Type ¹⁾	Description
BA2	16	reg. addr.	Bank Address [2] <i>Note: BA2 not available on 256 Mbit and 512 Mbit components</i> 0_B BA2, Bank Address
BA1	15		Bank Address [1] 0_B BA1, Bank Address
BA0	14		Bank Address [0] 0_B BA0, Bank Address
A13	13		Address Bus[13] <i>Note: A 13 is not available for 256 Mbit and x16 512 Mbit configuration</i> 0_B A13, Address bit 13
PD	12	w	Active Power-Down Mode Select 0_B PD, Fast exit 1_B PD, Slow exit
WR	[11:9]	w	Write Recovery²⁾ <i>Note: All other bit combinations are illegal.</i> 001_B WR, 2 010_B WR, 3 011_B WR, 4 100_B WR, 5 101_B WR, 6
DLL	8	w	DLL Reset 0_B DLL, No 1_B DLL, Yes
TM	7	w	Test Mode 0_B TM, Normal Mode 1_B TM, Vendor specific test mode
CL	[6:4]	w	CAS Latency <i>Note: All other bit combinations are illegal.</i> 010_B CL, 2 011_B CL, 3 100_B CL, 4 101_B CL, 5 110_B CL, 6

BT	3	w	Burst Type 0_B BT, Sequential 1_B BT, Interleaved
BL	[2:0]	w	Burst Length Note: All other bit combinations are illegal. 010_B BL, 4 011_B BL, 8

- 1) w = write only register bits
- 2) Number of clock cycles for write recovery during auto-precharge. WR in clock cycles is calculated by dividing t_{WR} (in ns) by t_{CK} (in ns) and rounding up to the next integer: $WR \text{ [cycles]} \geq t_{WR} \text{ (ns)} / t_{CK} \text{ (ns)}$. The mode register must be programmed to fulfill the minimum requirement for the analogue t_{WR} timing. WR_{MIN} is determined by $t_{CK.MAX}$ and WR_{MAX} is determined by $t_{CK.MIN}$.

6.6 DDR2 SDRAM Extended Mode Register Set (MRS)

The Extended Mode Register EMR(1) stores the data for enabling or disabling the DLL, output driver strength, additive latency, OCD program, ODT, DQS and output buffers disable, RQDS and RDQS enable. The default value of the extended mode register EMR(1) is not defined, therefore the extended mode register must be written after power-up for proper operation. The extended mode register is written by asserting low on CS, RAS, CAS, WE, BA1 and high on BA0, while controlling the state of the address pins

Table 9 Extended Mode Register Definition (BA[2:0] = 001B)

Field	Bits	Type ¹⁾	Description
BA2	16	reg. addr.	Bank Address [2] <i>Note: BA2 not available on 256 Mbit and 512 Mbit components</i> 0_B BA2, Bank Address
BA1	15		Bank Address [1] 0_B BA1, Bank Address
BA0	14		Bank Address [0] 0_B BA0, Bank Address
A13	13	w	Address Bus[13] Note: A 13 is not available for 256 Mbit and x16 512 Mbit configuration 0_B A13, Address bit 13
Qoff	12		Output Disable 0_B QOff, Output buffers enabled 1_B QOff, Output buffers disabled
RDQS	11		Read Data Strobe Output (RDQS, RDQS) 0_B RDQS, Disable 1_B RDQS, Enable
DQS	10		Complement Data Strobe (DQS Output) 0_B DQS, Enable 1_B DQS, Disable
OCD	[9:7]		Off-Chip Driver Calibration Program

Program		000_B OCD, OCD calibration mode exit, maintain setting 001_B OCD, Drive (1) 010_B OCD, Drive (0) 100_B OCD, Adjust mode 111_B OCD, OCD calibration default
AL	[5:3]	Additive Latency Note: All other bit combinations are illegal. 000_B AL, 0 001_B AL, 1 010_B AL, 2 011_B AL, 3 100_B AL, 4 101_B AL, 5
RTT	2,6	Nominal Termination Resistance of ODT 00_B RTT, ~ (ODT disabled) 01_B RTT, 75 Ohm 10_B RTT, 150 Ohm 11_B RTT, 50 Ohm²
DIC	1	Off-chip Driver Impedance Control 0_B DIC, Full (Driver Size = 100%) 1_B DIC, Reduced
DLL	0	DLL Enable 0_B DLL, Enable 1_B DLL, Disable

1) w = write only register bits

2) optional for DDR2-400/533 & 667

A0 is used for DLL enable or disable. A1 is used for enabling half-strength data-output driver. A2 and A6 enables On-Die termination (ODT) and sets the Rtt value. A[5:3] are used for additive latency settings and A[9:7] enables the OCD impedance adjustment mode. A10 enables or disables the differential DQS and RDQS signals, A11 disables or enables RDQS. Address bit A12 have to be set to 0 for normal operation. With A12 set to 1 the SDRAM outputs are disabled and in Hi-Z. 1 on BA0 and 0 for BA1 have to be set to access the EMRS(1). A13 and all "higher" address bits have to be set to 0 for compatibility with other DDR2 memory products with higher memory densities. Refer to Extended Mode Register Definition.

6.7 DLL Enable/Disable

The DLL must be enabled for normal operation. DLL enable is required during power up initialization, and upon returning to normal operation after having the DLL disabled. The DLL is automatically disabled when entering Self-Refresh operation and is automatically re-enabled and reset upon exit of Self-Refresh operation. Any time the DLL is reset, 200 clock cycles must occur before a Read command can be issued to allow time for the internal clock to be synchronized with the external clock. Failing to wait for synchronization to occur may result in a violation of the t_{AC} or t_{DQCK} parameters.

6.8 Output Disable (Qoff)

Under normal operation, the DRAM outputs are enabled during Read operation for driving data (Qoff bit in the EMR(1) is set to 0). When the Qoff bit is set to 1, the DRAM outputs will be disabled. Disabling the DRAM outputs allows users to measure I_{DD} currents during Read operations, without including the output buffer current and external load currents.

6.9 Single-ended and Differential Data Strobe Signals

Table 10 lists all possible combinations for DQS, !DQS, RDQS, !RDQS which can be programmed by A[11:10] address bits in EMRS. RDQS and !RDQS are available in $\times 8$ components only. If RDQS is enabled in $\times 8$ components, the DM function is disabled. RDQS is active for reads and don't care for writes.

Table 10 Single-ended and Differential Data Strobe Signals

EMRS(1)		Strobe Function Matrix				Signaling
A11 (RDQS Enable)	A10 (DQS Enable)	RDQS/DM	RDQS	DQS	DQS	
0 (Disable)	0 (Enable)	DM	Hi-Z	DQS	!DQS	differential DQS signals
0 (Disable)	1 (Disable)	DM	Hi-Z	DQS	Hi-Z	single-ended DQS signals
1 (Enable)	0 (Enable)	RDQS	!RDQS	DQS	!DQS	differential DQS signals
1 (Enable)	1 (Disable)	RDQS	Hi-Z	DQS	Hi-Z	single-ended DQS signals

6.10 Extended Mode Register EMR(2)

The Extended Mode Registers EMR(2) and EMR(3) are reserved for future use and must be programmed when setting the mode register during initialization. The extended mode register EMR(2) is written by asserting LOW on CS, RAS, CAS, WE, BA0 and HIGH on BA1, while controlling the states of the address pins. The DDR2 SDRAM should be in all bank precharge with CKE already high prior to writing into the extended mode register. The mode register set command cycle time (t_{MRD}) must be satisfied to complete the write operation to the EMR(2). Mode register contents can be changed using the same command and clock cycle requirements during normal operation as long as all banks are in precharge state.

Table 11 EMRS(2) Programming Extended Mode register Definition (BA[2:0]=010_B)

Field	Bits	Type ¹⁾	Description
BA2	16	reg.addr	Bank Address[2] <i>Note: BA2 is not available on 256Mbit and 512Mbit components</i> 0_B BA2, Bank Address
BA1	15		Bank Address[1] 1_B BA1, Bank Address
BA0	14		Bank Address[0] 0_B BA0, Bank Address
A	[13:0]	w	Address Bus[13:0] <i>Note: A 13 is not available for 256 Mbit and $\times 16$ 512 Mbit configuration</i> 0_B A[13:0], Address bits

1) w = write only

6.11 Extended Mode Register EMR(3)

The Extended Mode Register EMR(3) is reserved for future use and all bits except BA0 and BA1 must be programmed to 0 when setting the mode register during initialization. The EMRS(3) is written by asserting low on CS, RAS, CAS, WE, BA2 and high on BA0 and BA1, while controlling the state of the address pins.

Table 12 EMR(3) Programming Extended Mode Register Definition (BA[2:0]=010_B)

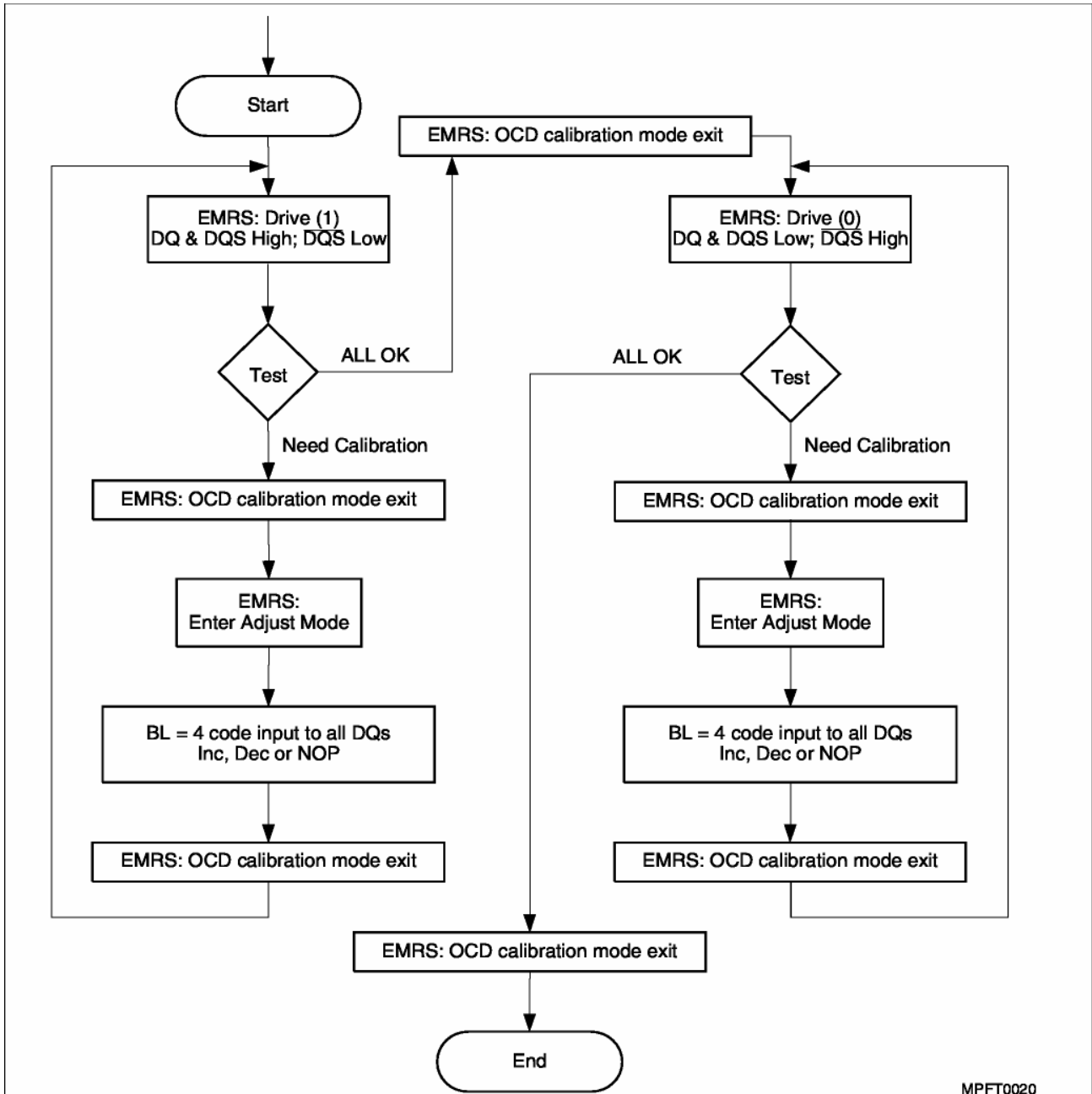
Field	Bits	Type ¹⁾	Description
BA2	16	reg.addr	Bank Address[2] <i>Note: BA2 is not available on 256Mbit and 512Mbit components</i> 0_B BA2, Bank Address
BA1	15		Bank Address[1] 1_B BA1, Bank Address
BA0	14		Bank Address[0] 1_B BA0, Bank Address
A	[13:0]	w	Address Bus[13:0] <i>Note: A 13 is not available for 256 Mbit and x16 512 Mbit configuration</i> 0_B A[13:0], Address bits

1) w = write only

6.12 Off-Chip Driver (OCD) Impedance Adjustment

DDR2 SDRAM supports driver calibration feature and the flow chart below is an example of the sequence. Every calibration mode command should be followed by "OCD calibration mode exit" before any other command being issued. MRS should be set before entering OCD impedance adjustment and On Die Termination (ODT) should be carefully controlled depending on system environment.

OCD Impedance Adjustment Flow Chart



MPFT0020

Note: MR should be set before entering OCD impedance adjustment and ODT should be carefully controlled depending on system environment

Extended Mode Register Set for OCD impedance adjustment

OCD impedance adjustment can be done using the following EMRS(1) mode. In drive mode all outputs are driven out by DDR2 SDRAM and drive of RDQS is dependent on EMR(1) bit enabling RDQS operation. In Drive(1) mode, all DQ, DQS (and RDQS) signals are driven HIGH and all DQS (and RDQS) signals are driven LOW. In Drive(0) mode, all DQ, DQS (and RDQS) signals are driven LOW and all DQS (and RDQS) signals are driven HIGH. In adjust mode, BL = 4 of operation code data must be used. In case of OCD calibration default, output driver characteristics have a nominal impedance value of 18 Ohms during nominal temperature and voltage conditions. Output driver characteristics for OCD calibration default are specified in the following table. OCD applies only to normal full strength output drive setting defined by EMR(1) and if half strength is set, OCD default driver characteristics are not applicable. When OCD calibration adjust mode is used, OCD default output driver characteristics are not applicable. After OCD calibration is completed or driver strength is set to default, subsequent EMRS(1) commands not intended to adjust OCD characteristics must specify A[9:7] as 000 in order to maintain the default or calibrated value.

Table 13 Off Chip Driver Program

A9	A8	A7	Operation
0	0	0	OCD calibration mode exit
0	0	1	Drive(1) DQ, DQS, (RDQS) high and DQS (!RDQS) low
0	1	0	Drive(0) DQ, DQS, (RDQS) low and !DQS (!RDQS) high
1	0	0	Adjust mode
1	1	1	OCD calibration default

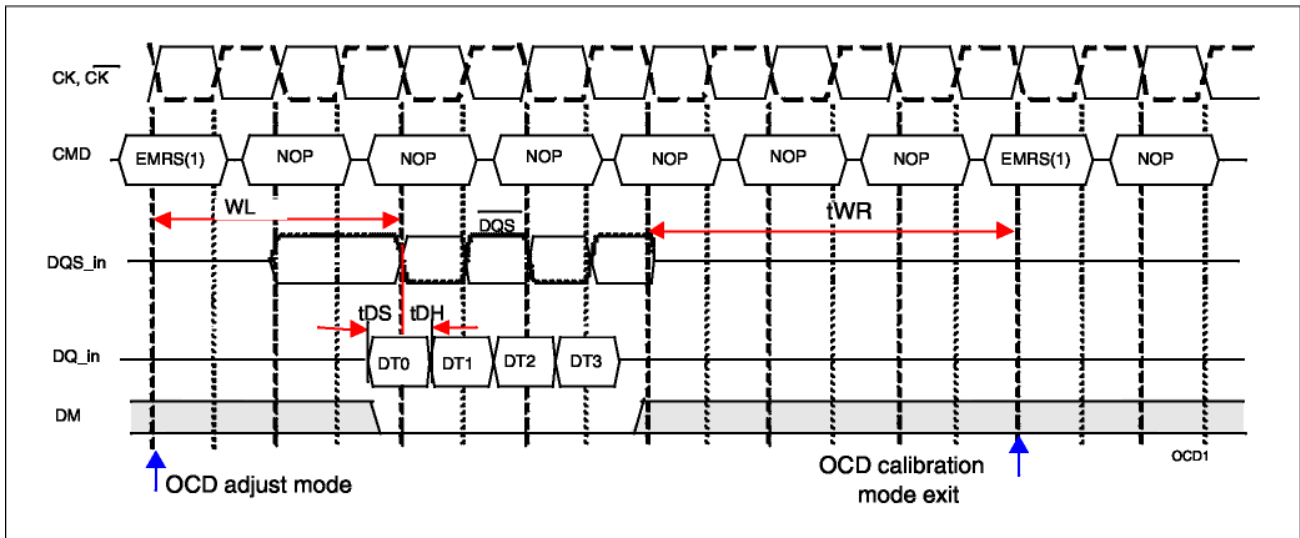
OCD impedance adjust

To adjust output driver impedance, controllers must issue the ADJUST EMRS(1) command along with a 4 bit burst code to DDR2 SDRAM as in the following table. For this operation, Burst Length has to be set to BL = 4 via MRS command before activating OCD and controllers must drive the burst code to all DQs at the same time. DT0 in the table means all DQ bits at bit time 0, DT1 at bit time 1, and so forth. The driver output impedance is adjusted for all DDR2 SDRAM DQs simultaneously and after OCD calibration, all DQs of a given DDR2 SDRAM will be adjusted to the same driver strength setting. The maximum step count for adjustment is 16 and when the limit is reached, further increment or decrement code has no effect. The default setting may be any step within the maximum step count range. When Adjust mode command is issued, AL from previously set value must be applied.

Table 14 Off-Chip-Driver Adjust Program

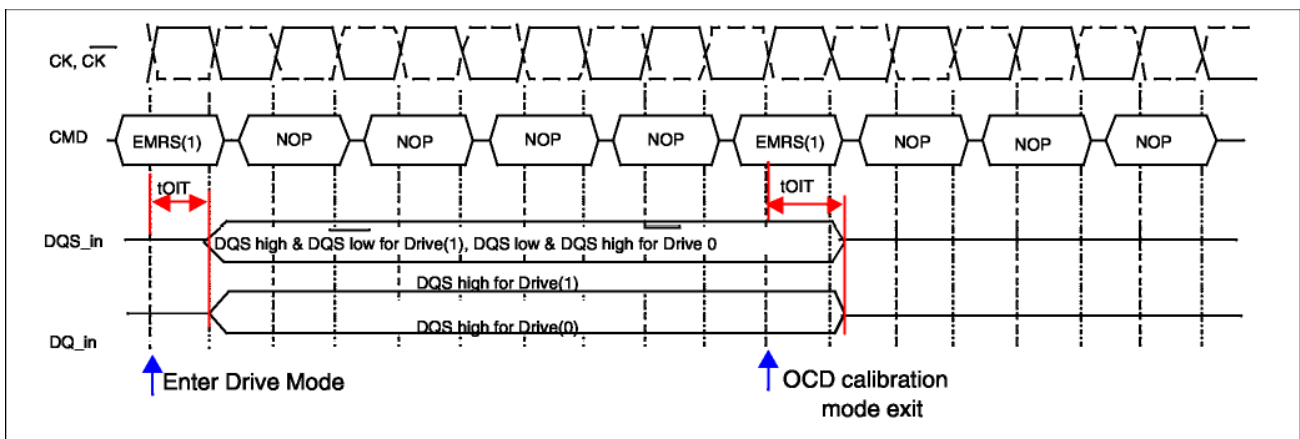
4 bit burst code inputs to all DQs				Operation	
DT0	DT1	DT2	DT3	Pull-up driver strength	Pull-down driver strength
0	0	0	0	NOP (no operation)	NOP (no operation)
0	0	0	1	Increase by 1 step	NOP
0	0	1	0	Decrease by 1 step	NOP
0	1	0	0	NOP	Increase by 1 step
1	0	0	0	NOP	Decrease by 1 step
0	1	0	1	Increase by 1 step	Increase by 1 step
0	1	1	0	Decrease by 1 step	Increase by 1 step
1	0	0	1	Increase by 1 step	Decrease by 1 step
1	0	1	0	Decrease by 1 step	Decrease by 1 step

For proper operation of adjust mode, $WL = RL - 1 = AL + CL - 1$ clocks and t_{DS} / t_{DH} should be met as shown in figure. Input data pattern for adjustment, DT[0:3] is fixed and not affected by MRS addressing mode (i.e. sequential or interleave) Burst length of 4 have to be programmed in the MRS for OCD impedance adjustment.



Drive Mode

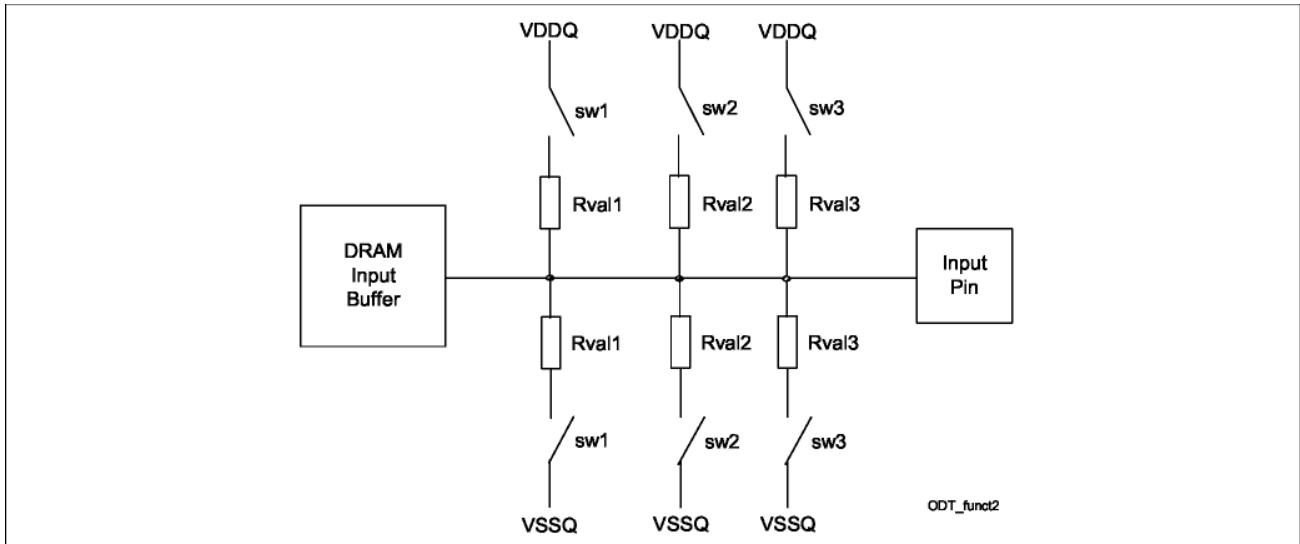
Both Drive(1) and Drive(0) are used for controllers to measure DDR2 SDRAM Driver impedance before OCD impedance adjustment. In this mode, all outputs are driven out t_{OIT} after "enter drive mode" command and all output drivers are turned-off t_{OIT} after "OCD calibration mode exit" command. See figure.



6.13 On-Die Termination (ODT)

On-Die Termination (ODT) is a new feature on DDR2 components that allows a DRAM to turn on/off termination resistance for each DQ, DQS, !DQS, DM for $\times 4$ and DQ, DQS, !DQS, DM, RDQS (DM/RDQS share the same pin) and !RDQS for $\times 8$ configuration via the ODT control pin. !DQS and !RDQS are only terminated when enabled by EMR(1). For $\times 16$ configuration ODT is applied to each DQ, UDQS, !UDQS, LDQS, !LDQS, UDM and LDM signal via the ODT control pin. !UDQS and LDQS are terminated only when enabled in the EMRS(1) by address bit A10 = 0.

The ODT feature is designed to improve signal integrity of the memory channel by allowing the DRAM controller to independently turn on/off termination resistance for any or all DRAM devices. The ODT function can be used for all active and standby modes. ODT is turned off and not supported in Self-Refresh mode.



Switch sw1, sw2 or sw3 are enabled by the ODT pin. Selection between sw1, sw2 or sw3 is determined by "Rtt (nominal)" in EMRS(1) address bits A6 & A2. Target: $Rval1 = Rval2 = Rval3 = 2 \times Rtt$. The ODT pin will be ignored if the Extended Mode Register (EMRS(1)) is programmed to disable ODT.

ODT Truth Tables

The ODT Truth Table shows which of the input pins are terminated depending on the state of address bit A10 and A11 in the EMRS(1) for all three device organizations (x4, x8 and x16). To activate termination of any of these pins, the ODT function has to be enabled in the EMRS(1) by address bits A6 and A2.

Table 15 ODT Truth Table

Input Pin	EMRS(1) Address Bit A10	EMRS(1) Address Bit A11
x4 components		
DQ[3:0]	X	
DQS	X	
!DQS	0	X
DM	X	
x8 components		
DQ[7:0]	X	
DQS	X	
!DQS	0	X
RDQS	X	1
!RDQS	0	1
DM	X	0
x16 components		
DQ[7:0]	X	
DQ[15:8]	X	
LDQS	X	
!LDQS	0	X
UDQS	X	
!UDQS	0	X
LDM	X	
UDM	X	

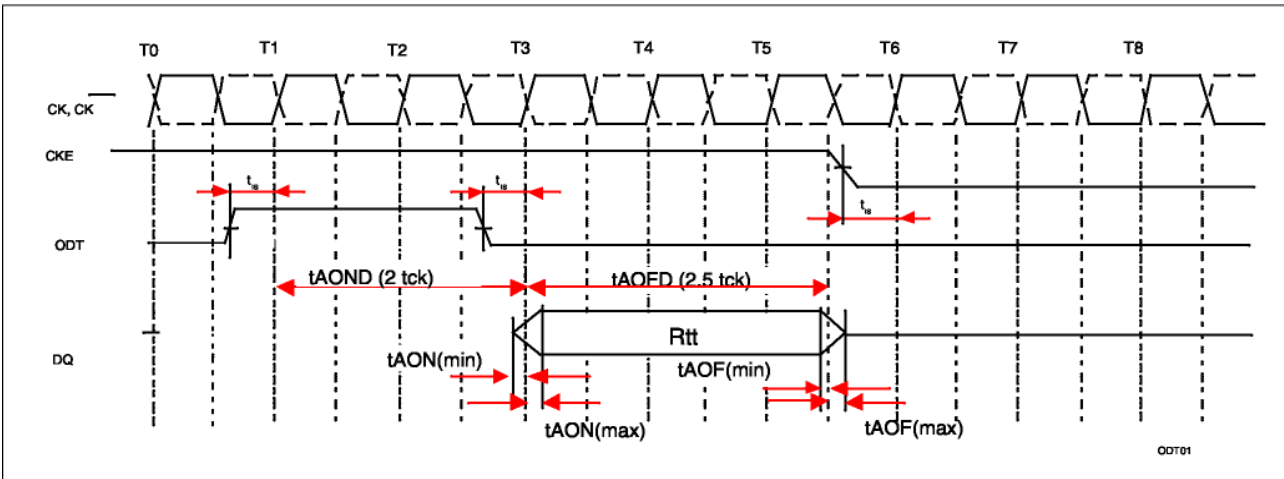
Note: X = don't care; 0 = bit set to low; 1 = bit set to high

ODT timing modes

Depending on the operating mode asynchronous or synchronous ODT timings apply. Asynchronous ODT timings (t_{AOPFD} , t_{AONPD}) apply when the on-die DLL is disabled. These modes are:

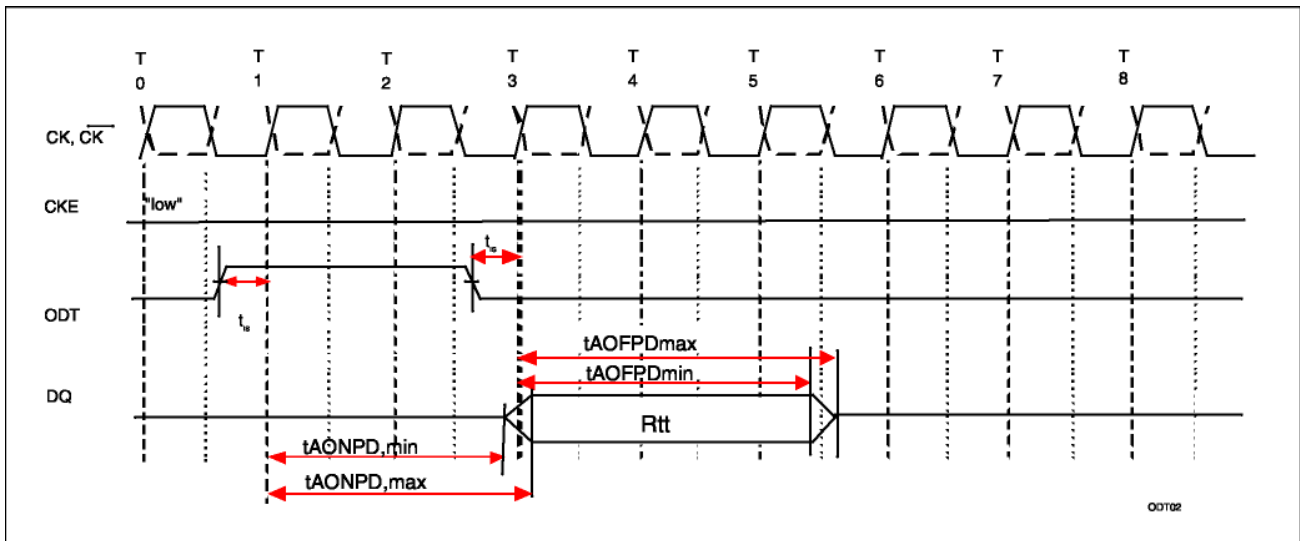
- Slow Exit Active Power Down Mode (with MRS bit A12 is set to "1")
- Precharge Power Down Mode

Synchronous ODT timings (t_{AOND} , t_{AOFD} , t_{AON} , t_{AOF}) apply for all other modes.



Notes

1. Synchronous ODT timings apply for Active Mode and Standby Mode with CKE HIGH and for the "Fast Exit" Active Power Down Mode (MRS bit A 12 set to "0"). In all these modes the on-die DLL is enabled.
2. ODT turn-on time ($t_{AON,MIN}$) is when the device leaves high impedance and ODT resistance begins to turn on. ODT turn on time max. ($t_{AON,MAX}$) is when the ODT resistance is fully on. Both are measured from t_{AOND} .
3. ODT turn off time min. ($t_{AOF,MIN}$) is when the device starts to turn off the ODT resistance. ODT turn off time max. ($t_{AOF,MAX}$) is when the bus is in high impedance. Both are measured from t_{AOFD} .



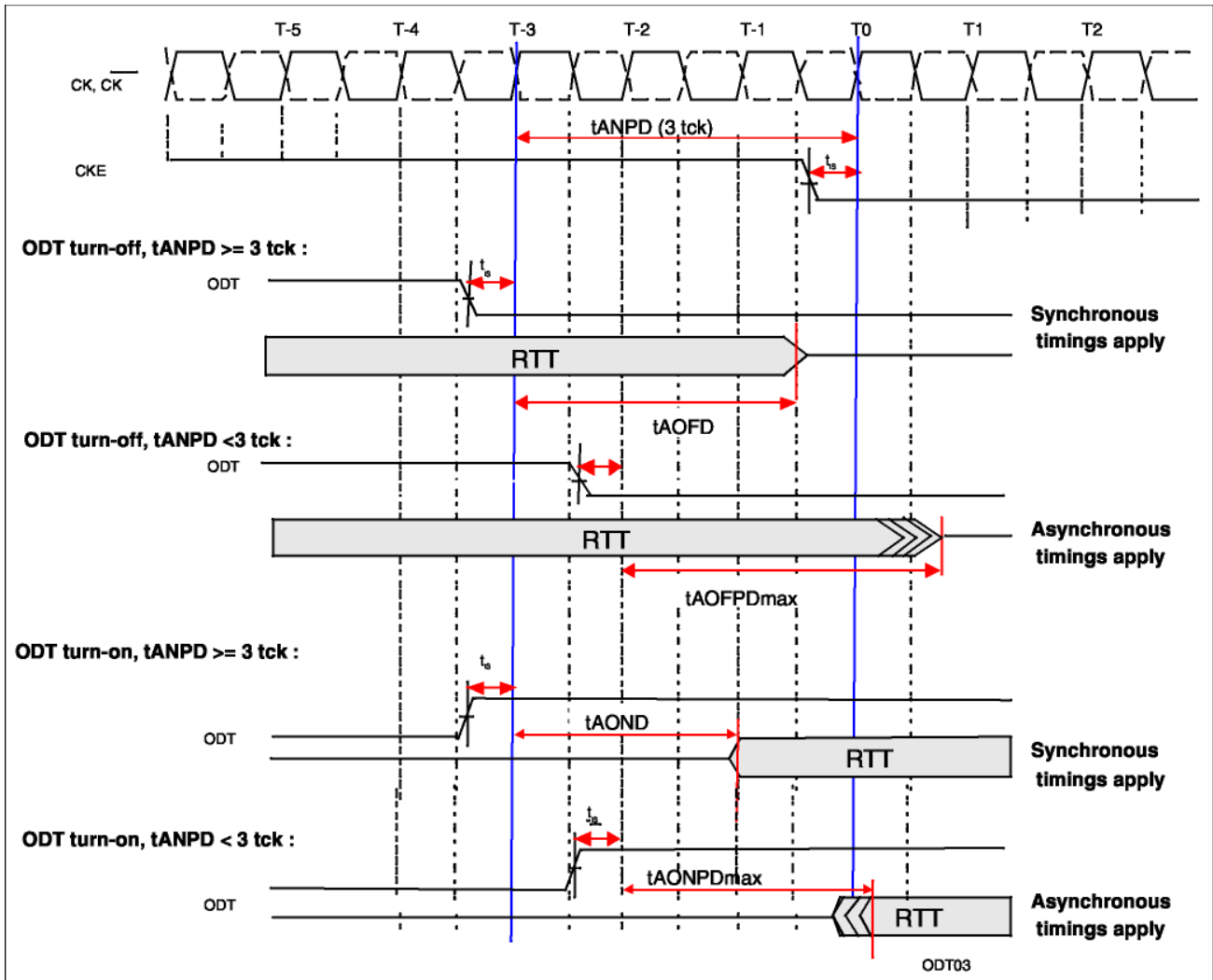
Note: Asynchronous ODT timings apply for Precharge Power-Down Mode and "Slow Exit" Active Power Down Mode (MRS bit A 12 set to "1"), where the on-die DLL is disabled in this mode of operation.

ODT timing mode switch

When entering the Power Down Modes "Slow Exit" Active Power Down and Precharge Power Down two additional timing parameters (t_{ANPD} and t_{AXPD}) define if synchronous or asynchronous ODT timings have to be applied.

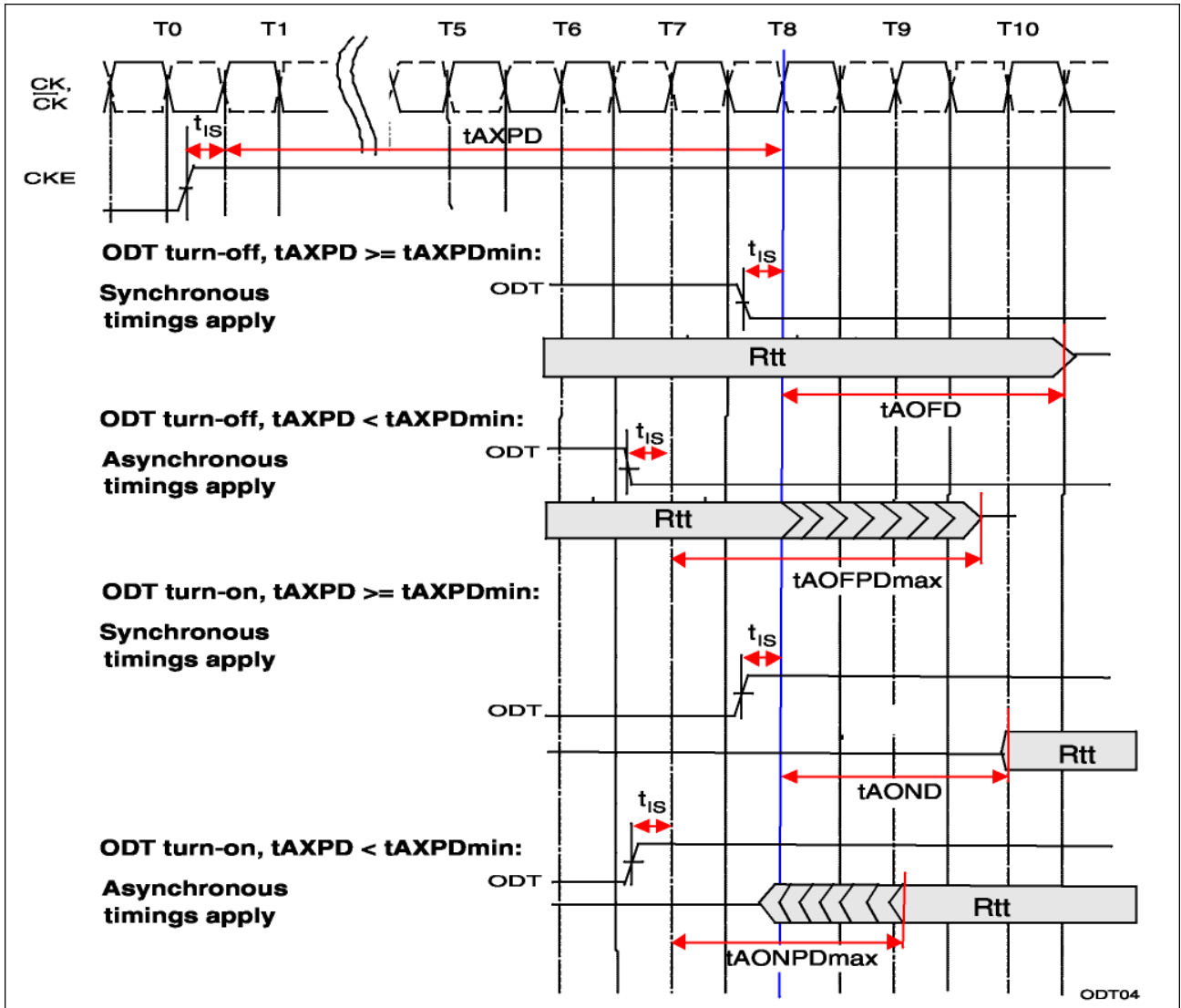
Mode entry

As long as the timing parameter $t_{ANPD,MIN}$ is satisfied when ODT is turned on or off before entering these power-down modes, synchronous timing parameters can be applied. If $t_{ANPD,MIN}$ is not satisfied, asynchronous timing parameters apply.



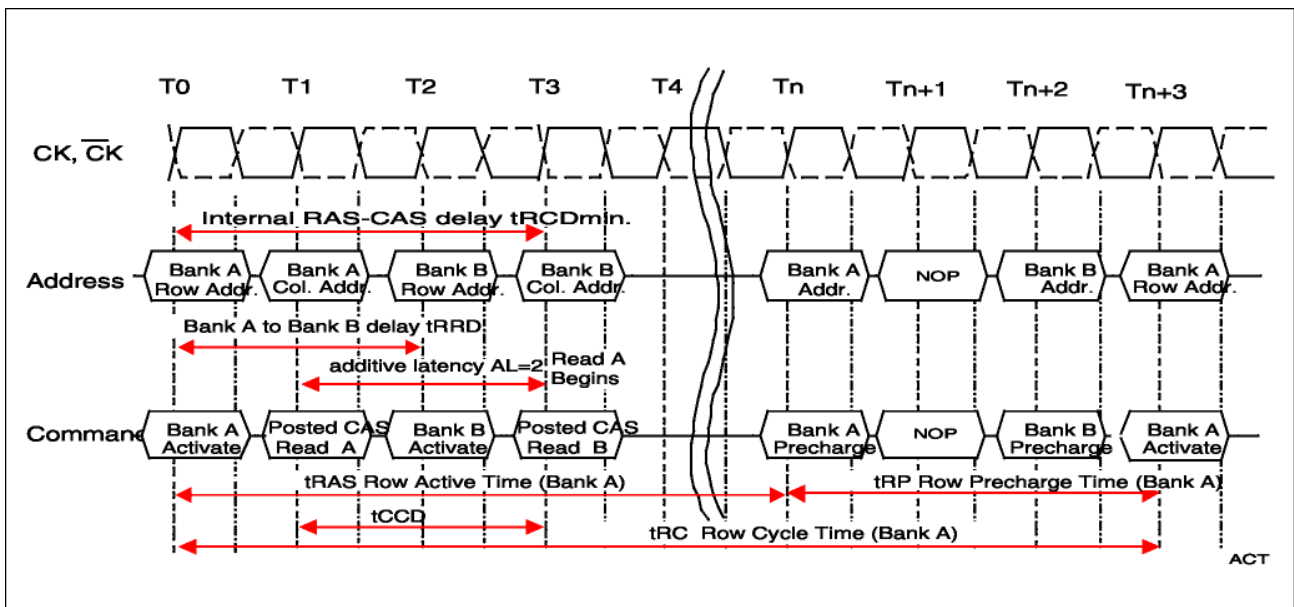
Mode exit

As long as the timing parameter $t_{AXPD,MIN}$ is satisfied when ODT is turned on or off after exiting these power-down modes, synchronous timing parameters can be applied. If $t_{AXPD,MIN}$ is not satisfied, asynchronous timing parameters apply.



6.14 Bank Activate Command

The Bank Activate command is issued by holding CAS and WE HIGH with CS and RAS LOW at the rising edge of the clock. The bank addresses BA[1:0] are used to select the desired bank. The row addresses A0 through A13 are used to determine which row to activate in the selected bank for $\times 4$ and $\times 8$ organized components. For $\times 16$ components row addresses A0 through A12 have to be applied. The Bank Activate command must be applied before any Read or Write operation can be executed. Immediately after the bank active command, the DDR2 SDRAM can accept a read or write command (with or without Auto-Precharge) on the following clock cycle. If a R/W command is issued to a bank that has not satisfied the $t_{RCD,MIN}$ specification, then additive latency must be programmed into the device to delay the R/W command which is internally issued to the device. The additive latency value must be chosen to assure $t_{RCD,MIN}$ is satisfied. Additive latencies of 0, 1, 2, 3, 4 and 5 are supported. Once a bank has been activated it must be precharged before another Bank Activate command can be applied to the same bank. The bank active and precharge times are defined as t_{RAS} and t_{RP} , respectively. The minimum time interval between successive Bank Activate commands to the same bank is determined by t_{RC} . The minimum time interval between Bank Activate commands to different banks is t_{RRD} .



$$t_{RCD} = 3, AL = 2, t_{RP} = 3, t_{RRD} = 2$$

6.15 Read and Write Commands and Access Modes

After a bank has been activated, a read or write cycle can be executed. This is accomplished by setting RAS HIGH, CS and CAS LOW at the clock's rising edge. WE must also be defined at this time to determine whether the access cycle is a read operation (WE HIGH) or a write operation (WE LOW). The DDR2 SDRAM provides a wide variety of fast access modes. A single Read or Write Command will initiate a serial read or write operation on successive clock cycles at data rates of up to 533 Mb/sec/pin for main memory. The boundary of the burst cycle is restricted to specific segments of the page length.

For example, the 32 Mbit \times 4 I/O \times 4 Bank chip has a page length of 2048 bits (defined by CA[11, 9:0]).

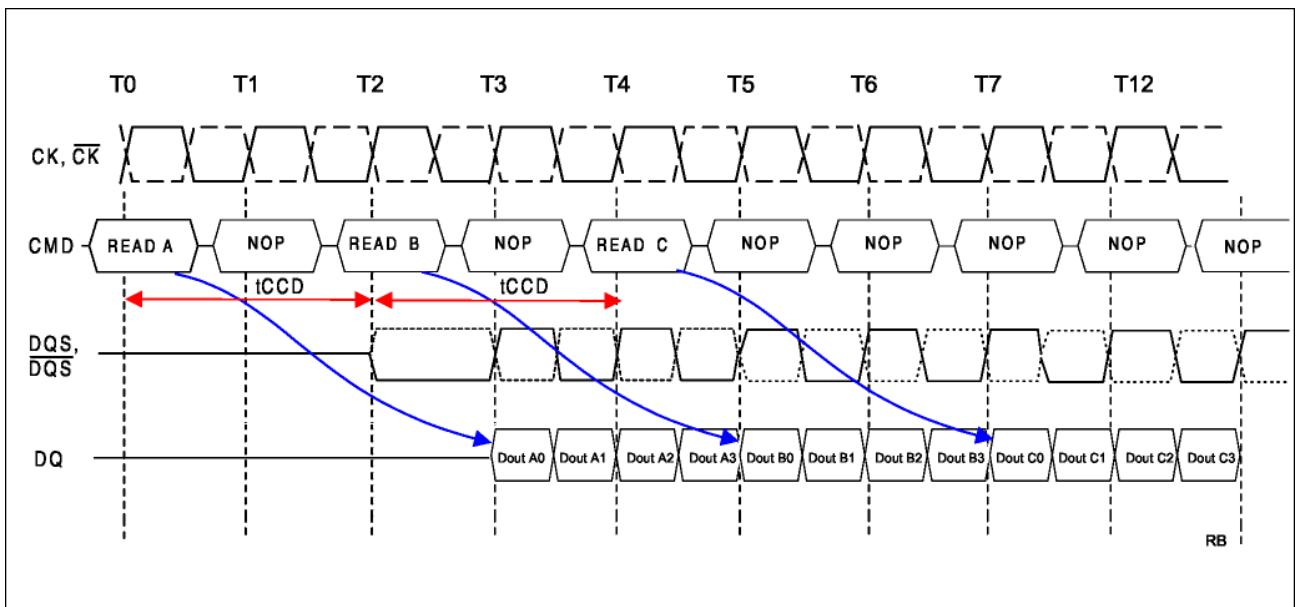
In case of a 4-bit burst operation (burst length = 4) the page length of 2048 is divided into 512 uniquely addressable segments (4-bits \times 4 I/O each). The 4-bit burst operation will occur entirely within one of the 512 segments (defined by CA[8:0]) starting with the column address supplied to the device during the Read or Write Command (CA[11, 9:0]). The second, third and fourth access will also occur within this segment, however, the burst order is a function of the starting address, and the burst sequence.

In case of a 8-bit burst operation (burst length = 8) the page length of 2048 is divided into 256 uniquely addressable segments (8-bits \times 4 I/O each). The 8-bit burst operation will occur entirely within one of the 256 segments (defined by CA[7:0]) beginning with the column address supplied to the device during the Read or Write Command (CA[11, 9:0]).

A new burst access must not interrupt the previous 4 bit burst operation in case of BL = 4 setting. Therefore the minimum CAS to CAS delay (t_{CCD}) is a minimum of 2 clocks for read or write cycles.

For 8 bit burst operation (BL = 8) the minimum CAS to CAS delay (t_{CCD}) is 4 clocks for read or write cycles.

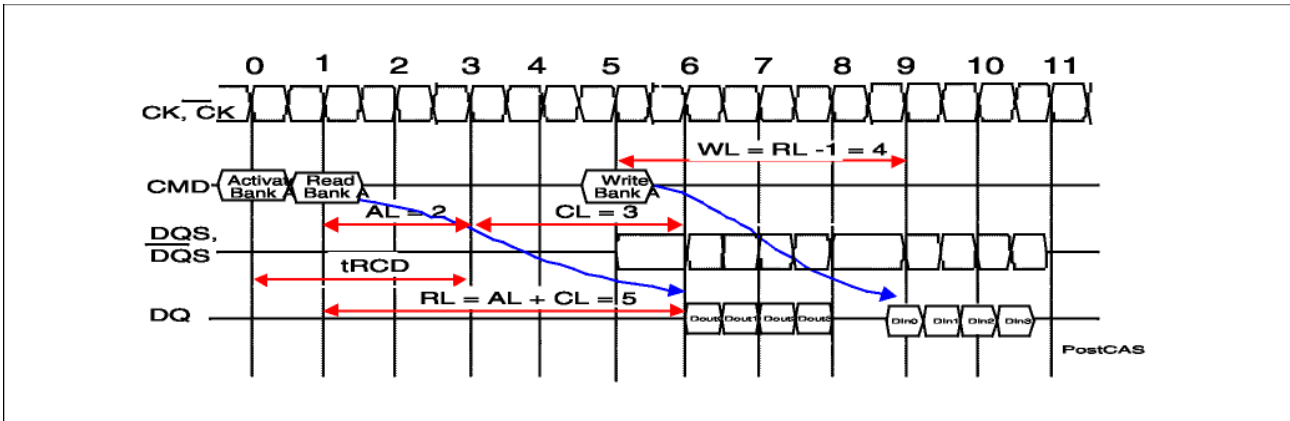
Burst interruption is allowed with 8 bit burst operation. For details see Chapter 6.20



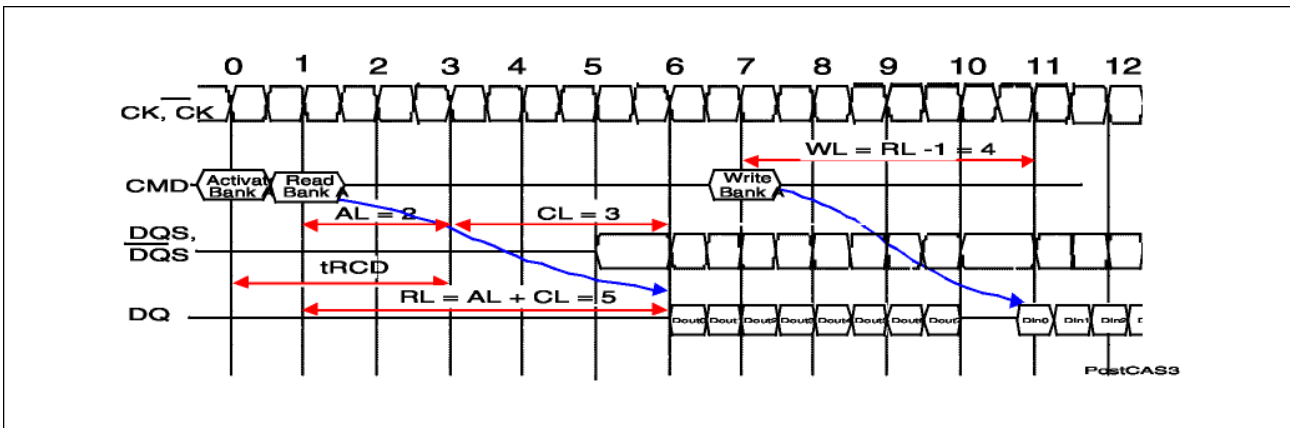
CL= 3, AL = 0, RL = 3, BL = 4

6.16 Posted CAS

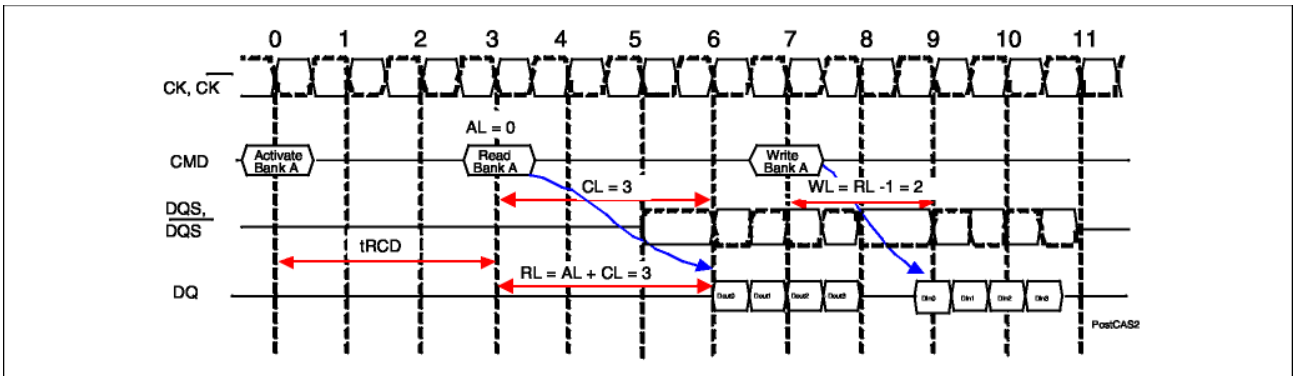
Posted CAS operation is supported to make command and data bus efficient for sustainable bandwidths in DDR2 SDRAM. In this operation, the DDR2 SDRAM allows a Read or Write command to be issued immediately after the bank activate command (or any time during the RAS to CAS delay time, t_{RCD} period). The command is held for the time of the Additive Latency (AL) before it is issued inside the device. The Read Latency (RL) is the sum of AL and the CAS latency (CL). Therefore if a user chooses to issue a Read/Write command before the $t_{RCD,MIN}$, then AL greater than 0 must be written into the EMR(1). The Write Latency (WL) is always defined as $RL - 1$ (Read Latency - 1) where Read Latency is defined as the sum of Additive Latency plus CAS latency ($RL=AL+CL$). If a user chooses to issue a Read command after the $t_{RCD,MIN}$ period, the Read Latency is also defined as $RL = AL + CL$.



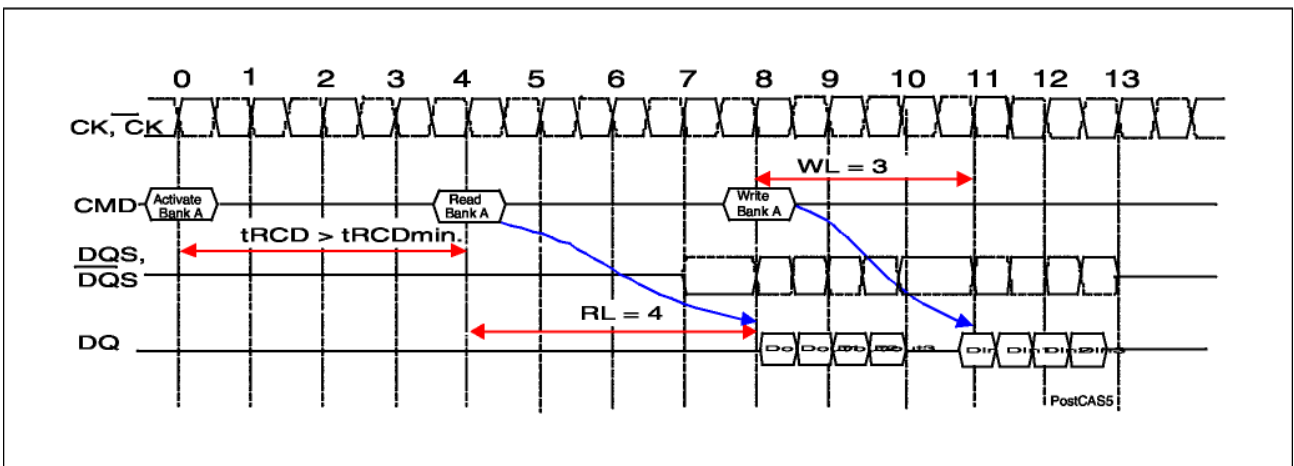
Activate to Read delay $< t_{RCD,MIN}$: $AL = 2$ and $CL = 3$, $RL = (AL + CL) = 5$, $WL = (RL - 1) = 4$, $BL = 4$



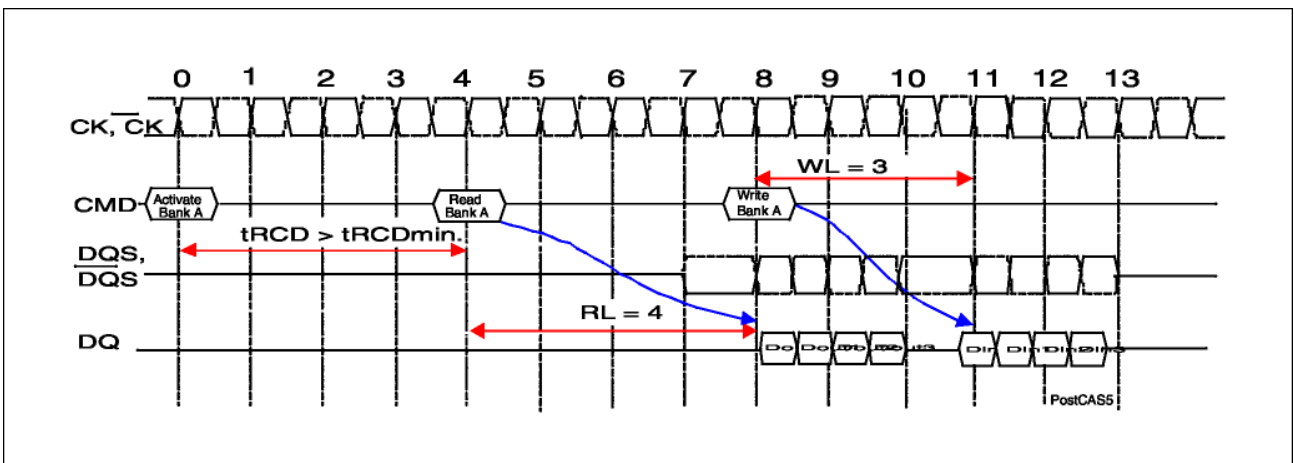
Activate to Read delay $< t_{RCD,MIN}$: $AL = 2$ and $CL = 3$, $RL = (AL + CL) = 5$, $WL = (RL - 1) = 4$, $BL = 8$



Activate to Read delay = $t_{RCD,MIN}$: $AL = 0$, $CL = 3$, $RL = (AL + CL) = 3$, $WL = (RL - 1) = 2$, $BL = 4$



Activate to Read delay $> t_{RCD,MIN}$: $AL = 1$, $CL = 3$, $RL = 4$, $WL = 3$, $BL = 4$



$AL = 2$, $CL = 3$, $RL = 5$, $WL = 4$, $t_{WTR} = 2$, $BL = 4$

6.17 Burst Mode Operation

Burst mode operation is used to provide a constant flow of data to memory locations (write cycle), or from memory locations (read cycle). The parameters that define how the burst mode will operate are burst sequence and burst length. The DDR2 SDRAM supports 4 bit and 8 bit burst modes only. For 8 bit burst mode, full interleave address ordering is supported, however, sequential address ordering is nibble based for ease of implementation. The burst length is programmable and defined by the addresses A[2:0] of the MR. The burst type, either sequential or interleaved, is programmable and defined by the address bit 3 (A3) of the MR. Seamless burst read or write operations are supported. Interruption of a burst read or write operation is prohibited, when burst length = 4 is programmed. For burst interruption of a read or write burst when burst length = 8 is used, see Chapter 6.21. A Burst Stop command is not supported on DDR2 SDRAM devices.

Table 16 Burst Length and Sequence

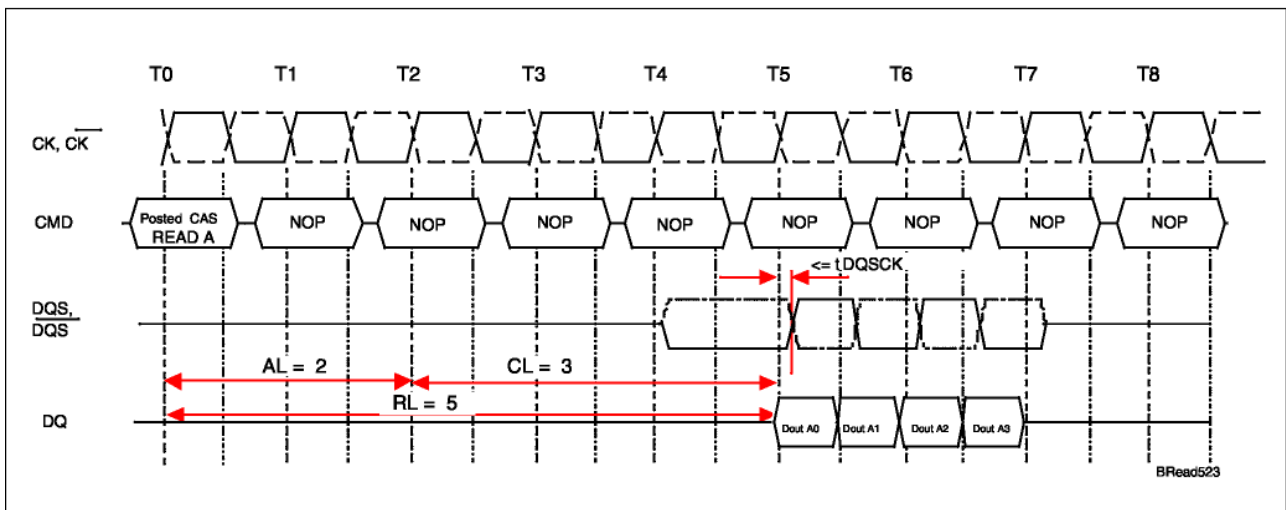
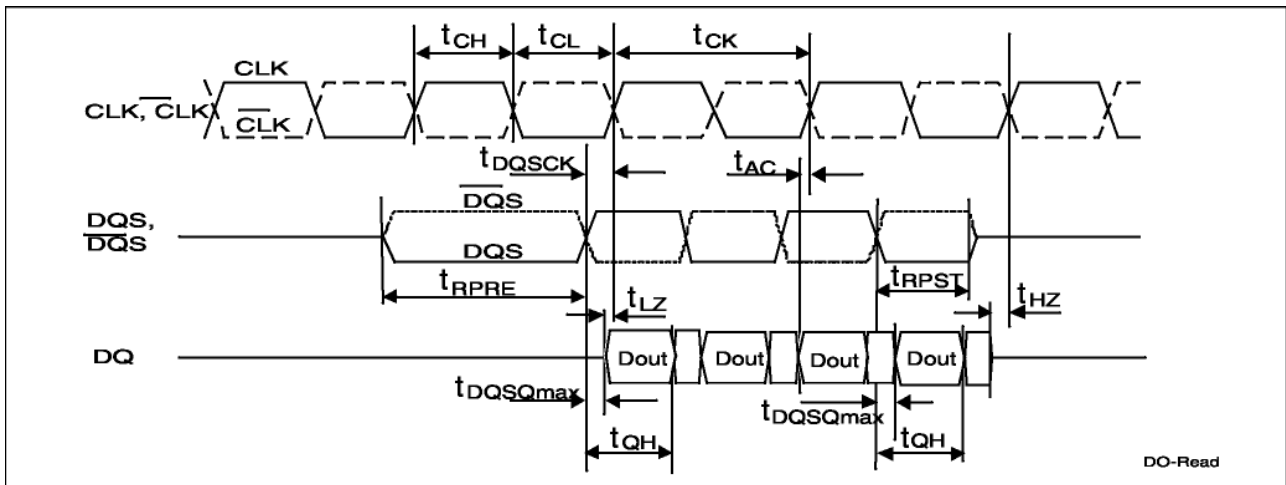
Burst Length	Starting Address (A2 A1 A0)	Sequential Addressing (decimal)	Interleave Addressing (decimal)
4	0 0	0, 1, 2, 3	0, 1, 2, 3
	0 1	1, 2, 3, 0	1, 0, 3, 2
	1 0	2, 3, 0, 1	2, 3, 0, 1
	1 1	3, 0, 1, 2	3, 2, 1, 0
8	0 0 0	0, 1, 2, 3, 4, 5, 6, 7	0, 1, 2, 3, 4, 5, 6, 7
	0 0 1	1, 2, 3, 0, 5, 6, 7, 4	1, 0, 3, 2, 5, 4, 7, 6
	0 1 0	2, 3, 0, 1, 6, 7, 4, 5	2, 3, 0, 1, 6, 7, 4, 5
	0 1 1	3, 0, 1, 2, 7, 4, 5, 6	3, 2, 1, 0, 7, 6, 5, 4
	1 0 0	4, 5, 6, 7, 0, 1, 2, 3	4, 5, 6, 7, 0, 1, 2, 3
	1 0 1	5, 6, 7, 4, 1, 2, 3, 0	5, 4, 7, 6, 1, 0, 3, 2
	1 1 0	6, 7, 4, 5, 2, 3, 0, 1	6, 7, 4, 5, 2, 3, 0, 1
	1 1 1	7, 4, 5, 6, 3, 0, 1, 2	7, 6, 5, 4, 3, 2, 1, 0

Notes

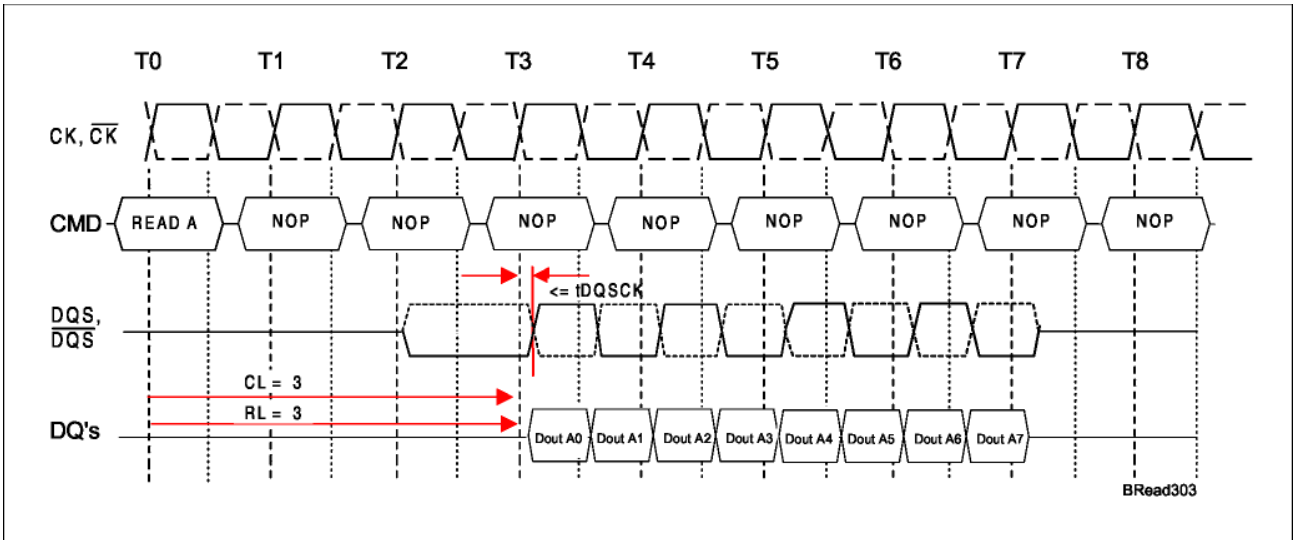
1. Mb x 4 organization (CA [9:0], CA11); Page Size = 1 kByte; Page Length = 2048
 64Mb x 8 organization (CA[9:0]); Page Size = 1 kByte; Page Length = 1024
 32Mb x 16 organization (CA[9:0]); Page Size = 2 kByte; Page Length = 1024
2. Order of burst access for sequential addressing is "nibble-based" and therefore different from SDR or DDR components

6.18 Read Command

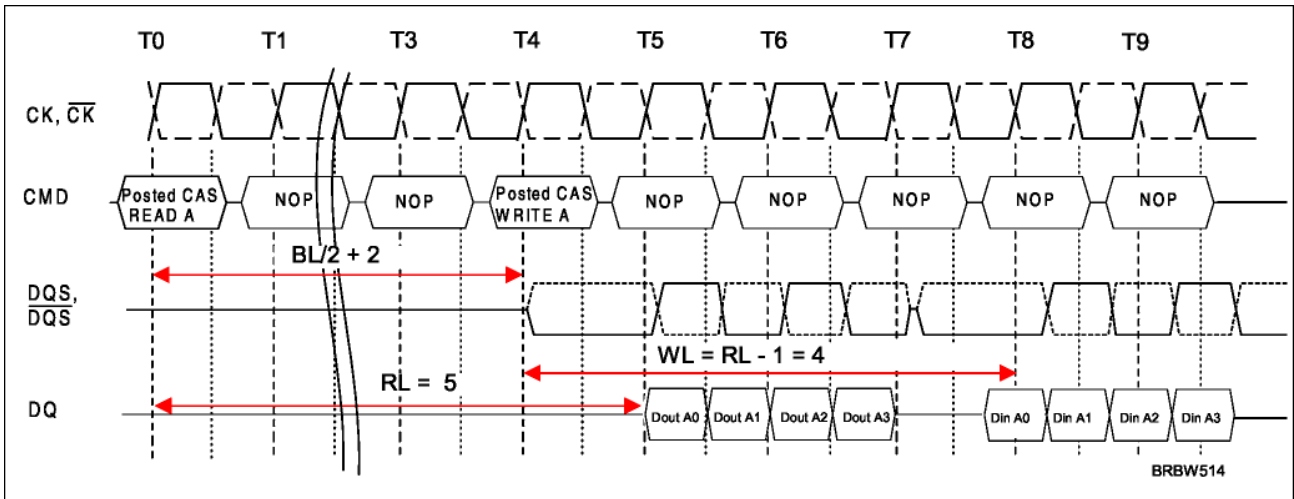
The Read command is initiated by having CS and CAS LOW while holding RAS and WE HIGH at the rising edge of the clock. The address inputs determine the starting column address for the burst. The delay from the start of the command until the data from the first cell appears on the outputs is equal to the value of the read latency (RL). The data strobe output (DQS) is driven LOW one clock cycle before valid data (DQ) is driven onto the data bus. The first bit of the burst is synchronized with the rising edge of the data strobe (DQS). Each subsequent data-out appears on the DQ pin in phase with the DQS signal in a source synchronous manner. The RL is equal to an additive latency (AL) plus CAS latency (CL). The CL is defined by the Mode Register Set (MRS). The AL is defined by the Extended Mode Register Set (EMRS(1)).



RL= 5 (AL = 2, CL = 3, BL = 4)

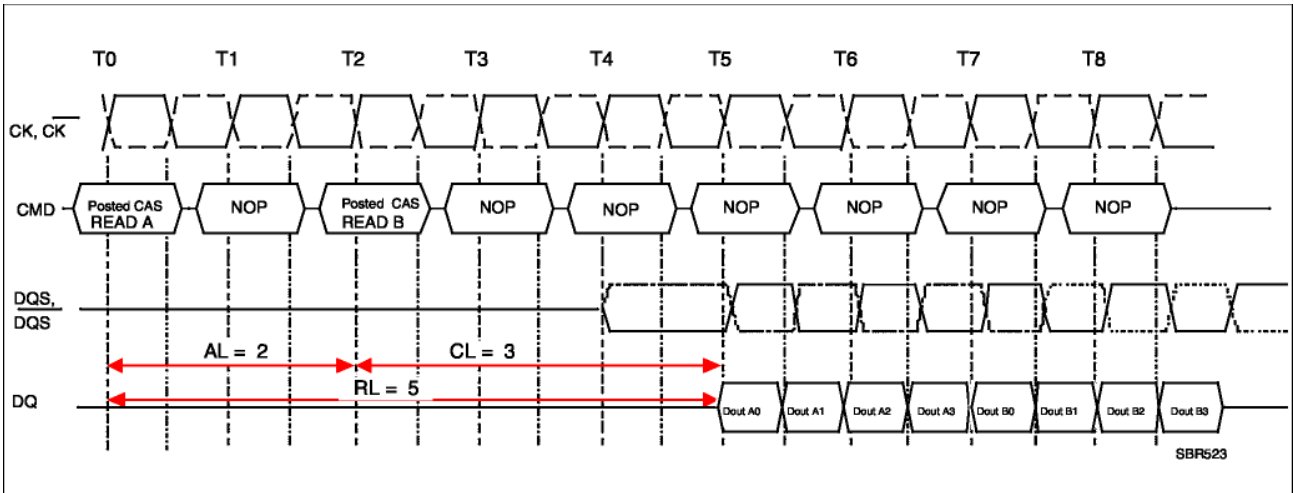


RL = 3 (AL = 0, CL = 3, BL = 8)



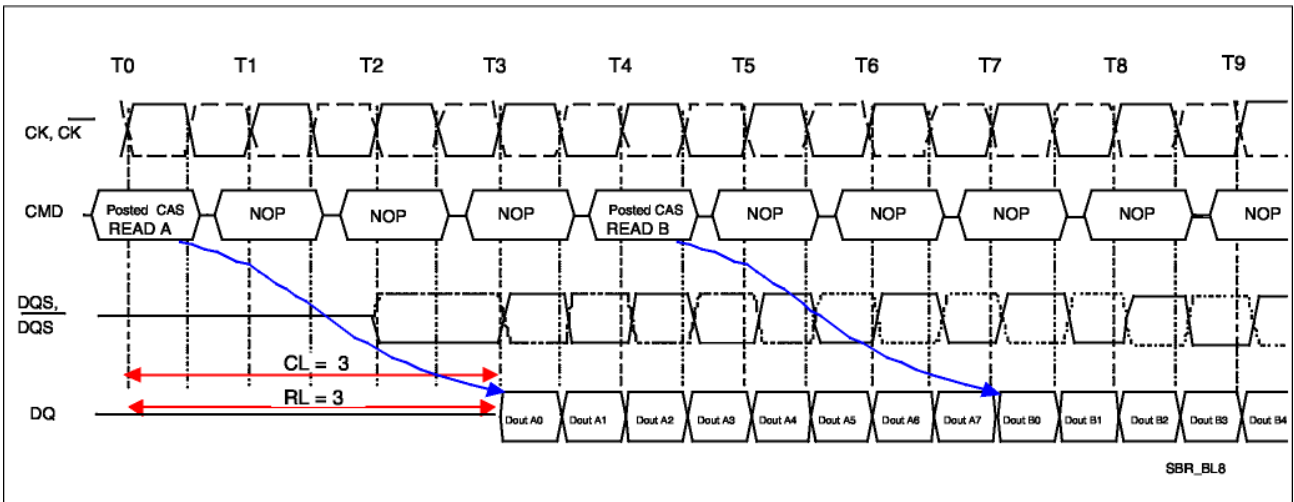
RL = 5, WL = (RL - 1) = 4, BL = 4

The minimum time from the read command to the write command is defined by a read-to-write turn-around time, which is $BL/2 + 2$ clocks.



RL = 5, AL = 2, CL = 3, BL = 4

The seamless read operation is supported by enabling a read command at every BL / 2 number of clocks. This operation is allowed regardless of same or different banks as long as the banks are activated.

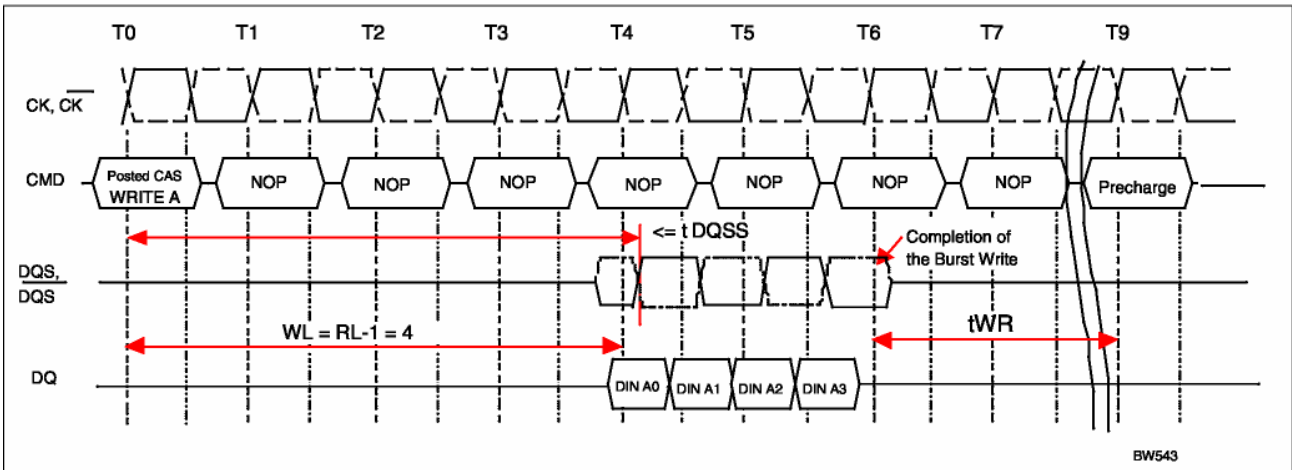
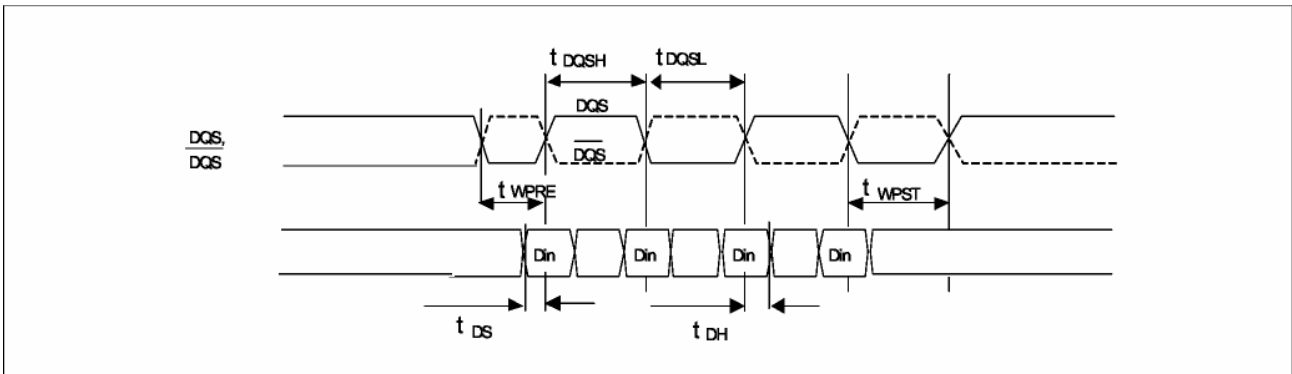


RL = 3, AL = 0, CL = 3, BL = 8 (non interrupting)

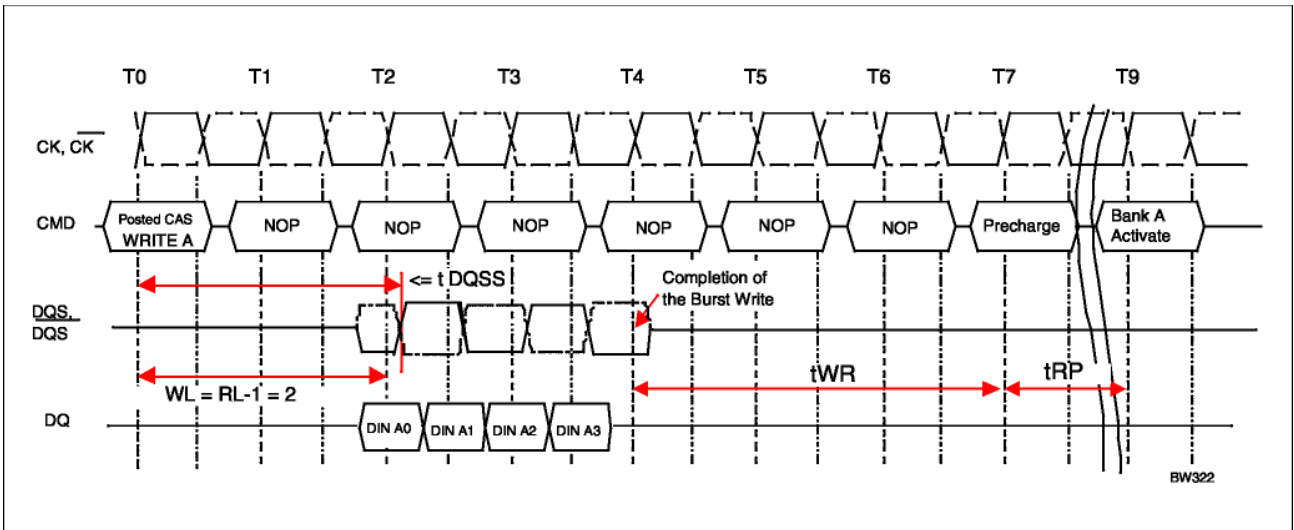
The seamless, non interrupting 8-bit read operation is supported by enabling a read command at every BL/2 number of clocks. This operation is allowed regardless of same or different banks as long as the banks are activated.

6.19 Write Command

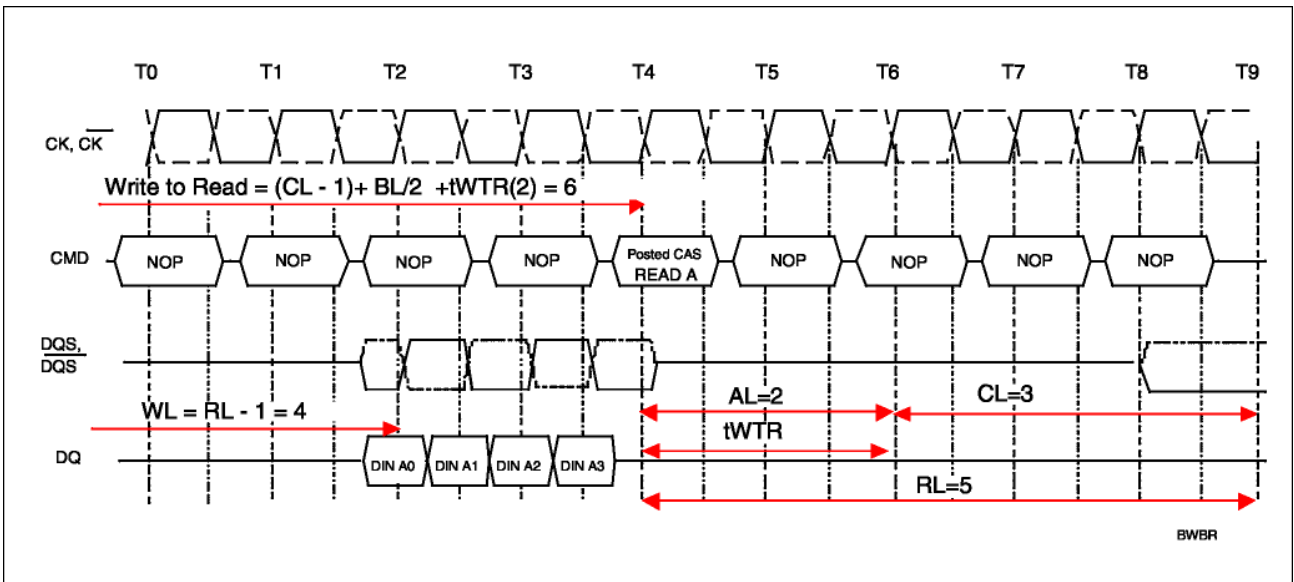
The Write command is initiated by having CS, CAS and WE LOW while holding RAS HIGH at the rising edge of the clock. The address inputs determine the starting column address. Write latency (WL) is defined by a read latency (RL) minus one and is equal to $(AL + CL - 1)$. A data strobe signal (DQS) has to be driven LOW (preamble) a time t_{WPRE} prior to the WL. The first data bit of the burst cycle must be applied to the DQ pins at the first rising edge of the DQS following the preamble. The t_{DQSS} specification must be satisfied for write cycles. The subsequent burst bit data are issued on successive edges of the DQS until the burst length is completed. When the burst has finished, any additional data supplied to the DQ pins will be ignored. The DQ signal is ignored after the burst write operation is complete. The time from the completion of the burst write to bank precharge is named "write recovery time" (t_{WR}) and is the time needed to store the write data into the memory array. t_{WR} is an analog timing parameter and is not the programmed value for WR in the MRS.



$RL = 5$ ($AL = 2, CL = 3$), $WL = 4, BL = 4$

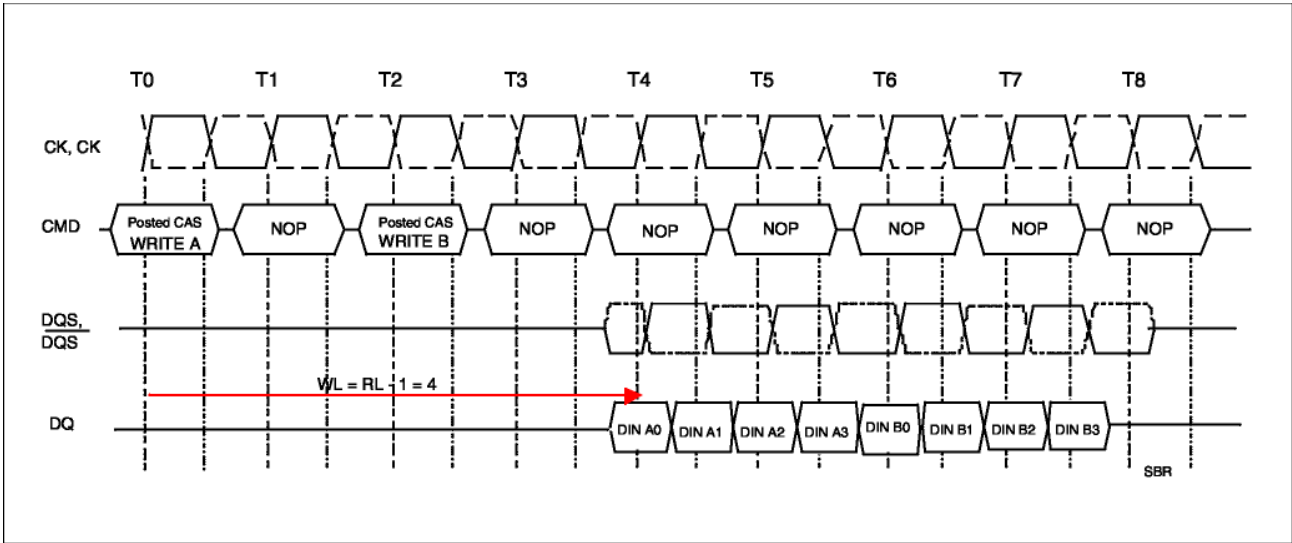


RL = 3 (AL = 0, CL = 3), WL = 2, BL = 4



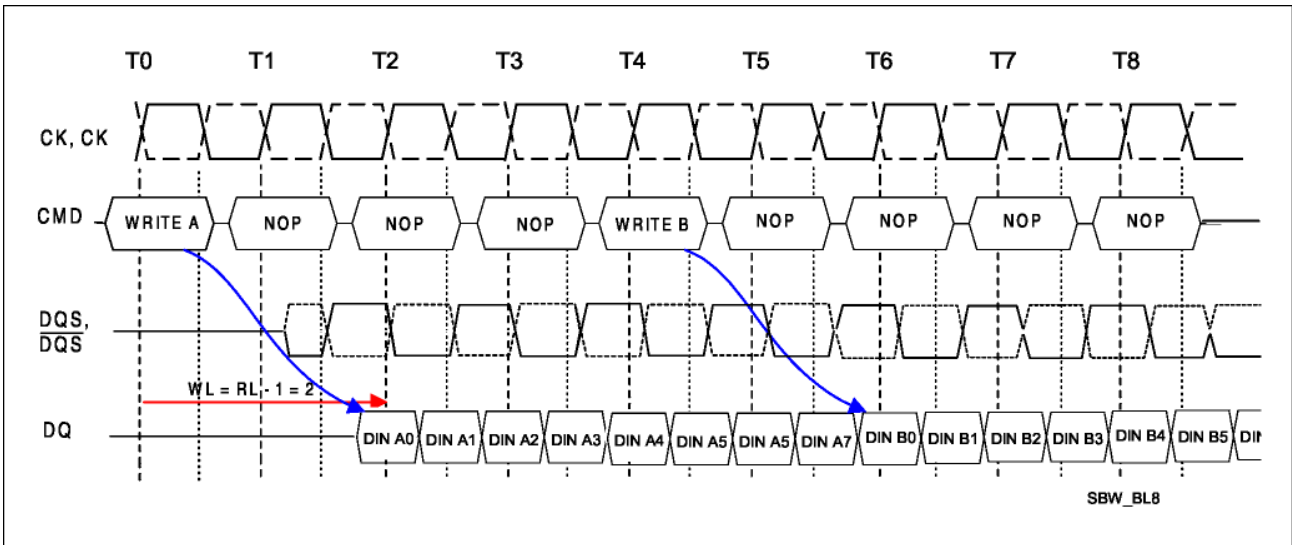
RL = 5 (AL = 2, CL = 3), WL = 4, $t_{WTR} = 2$, BL = 4

The minimum number of clocks from the write command to the read command is $(CL - 1) + BL/2 + t_{WTR}$, where t_{WTR} is the write-to-read turn-around time t_{WTR} expressed in clock cycles. The t_{WTR} is not a write recovery time (t_{WR}) but the time required to transfer 4 bit write data from the input buffer into sense amplifiers in the array.



RL = 5, WL = 4, BL = 4

The seamless write operation is supported by enabling a write command every BL/2 number of clocks. This operation is allowed regardless of same or different banks as long as the banks are activated.

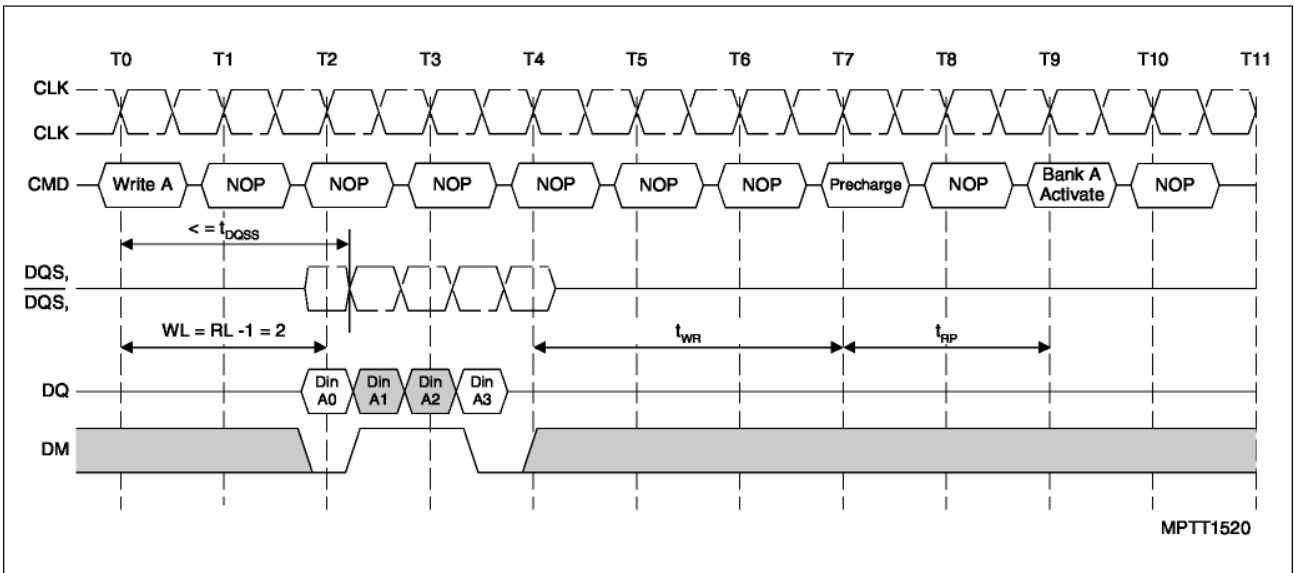
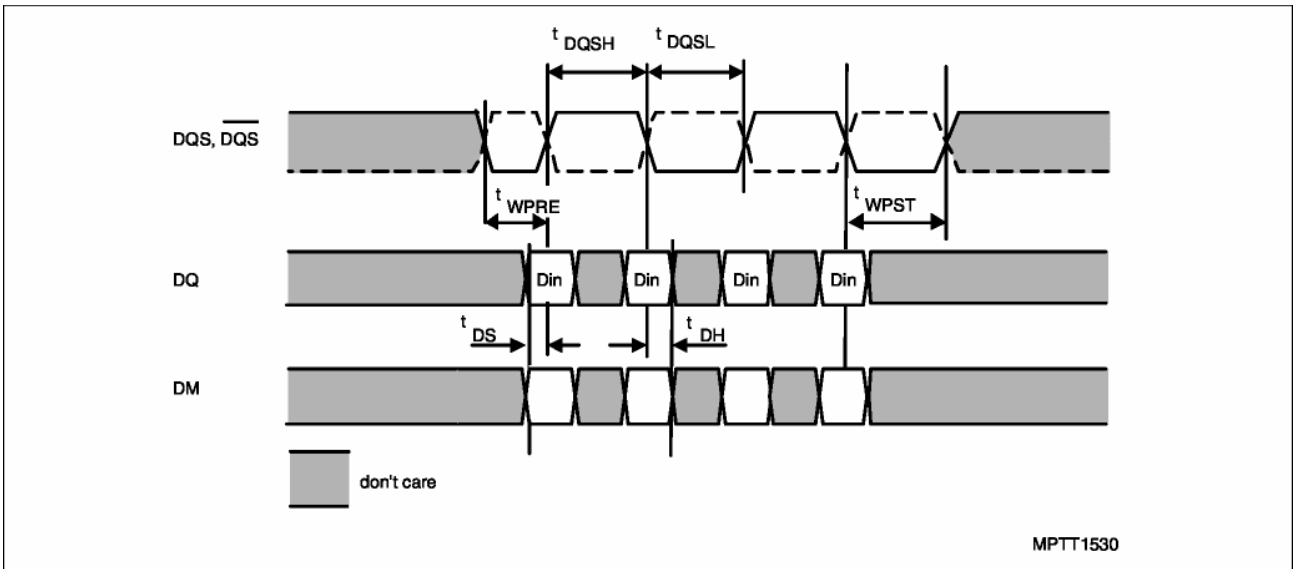


RL = 3, WL = 2, BL = 8, non interrupting

The seamless non interrupting 8-bit write operation is supported by enabling a write command at every BL/2 number of clocks. This operation is allowed regardless of same or different banks as long as the banks are activated.

6.20 Write Data Mask

One write data mask input (DM) for $\times 4$ and $\times 8$ components and two write data mask inputs (LDM, UDM) for $\times 16$ components are supported on DDR2 SDRAM's, consistent with the implementation on DDR SDRAM's. It has identical timings on write operations as the data bits, and though used in a uni-directional manner, is internally loaded identically to data bits to insure matched system timing. Data mask is not used during read cycles. If DM is HIGH during a write burst coincident with the write data, the write data bit is not written to the memory. For $\times 8$ components the DM function is disabled, when RDQS / !RDQS are enabled by EMRS(1).

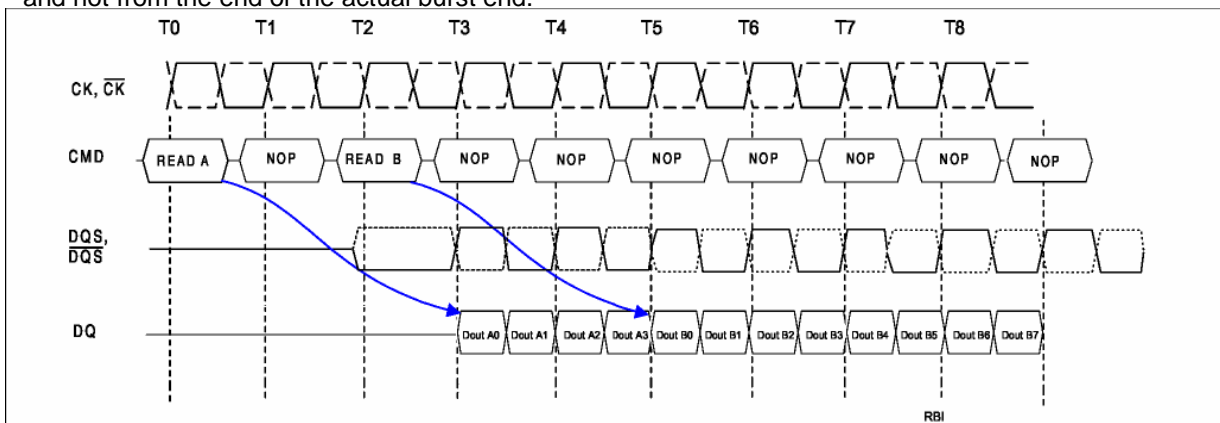


RL = 3 (AL = 0, CL = 3), WL = 2, t_{WR} = 3, BL = 4

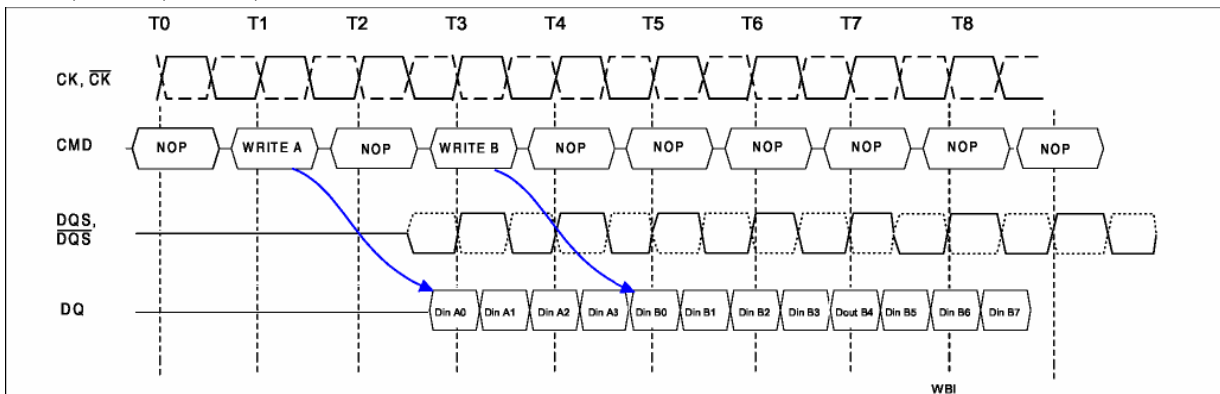
6.21 Burst Interruption

Interruption of a read or write burst is prohibited for burst length of 4 and only allowed for burst length of 8 under the following conditions:

1. A Read Burst can only be interrupted by another Read command. Read burst interruption by a Write or Precharge Command is prohibited.
2. A Write Burst can only be interrupted by another Write command. Write burst interruption by a Read or Precharge Command is prohibited.
3. Read burst interrupt must occur exactly two clocks after the previous Read command. Any other Read burst interrupt timings are prohibited.
4. Write burst interrupt must occur exactly two clocks after the previous Write command. Any other Read burst interrupt timings are prohibited.
5. Read or Write burst interruption is allowed to any bank inside the DDR2 SDRAM.
6. Read or Write burst with Auto-Precharge enabled is not allowed to be interrupted.
7. Read burst interruption is allowed by a Read with Auto-Precharge command.
8. Write burst interruption is allowed by a Write with Auto-Precharge command.
9. All command timings are referenced to burst length set in the mode register. They are not referenced to the actual burst. For example, Minimum Read to Precharge timing is $AL + BL/2$ where BL is the burst length set in the mode register and not the actual burst (which is shorter because of interrupt). Minimum Write to Precharge timing is $WL + BL/2 + t_{WR}$, where t_{WR} starts with the rising clock after the un-interrupted burst end and not from the end of the actual burst end.



CL = 3, AL = 0, RL = 3, BL = 8



CL = 3, AL = 0, WL = 2, BL = 8

6.22 Precharge Command

The Precharge Command is used to precharge or close a bank that has been activated. The Precharge Command is triggered when CS, RAS and WE are LOW and CAS is HIGH at the rising edge of the clock. The Pre-charge Command can be used to precharge each bank independently or all banks simultaneously. 3 address bits A10, BA[1:0] are used to define which bank to precharge when the command is issued.

Table 17 Bank Selection for Precharge by Address Bits

A10	BA1	BA0	Precharge Bank(s)
0	0	0	Bank 0 only
0	0	1	Bank 1 only
0	1	0	Bank 2 only
0	1	1	Bank 3 only
1	Don't Care	Don't Care	all banks

Note: The bank address assignment is the same for activating and pre charging a specific bank.

6.22.1 Read Followed by a Precharge

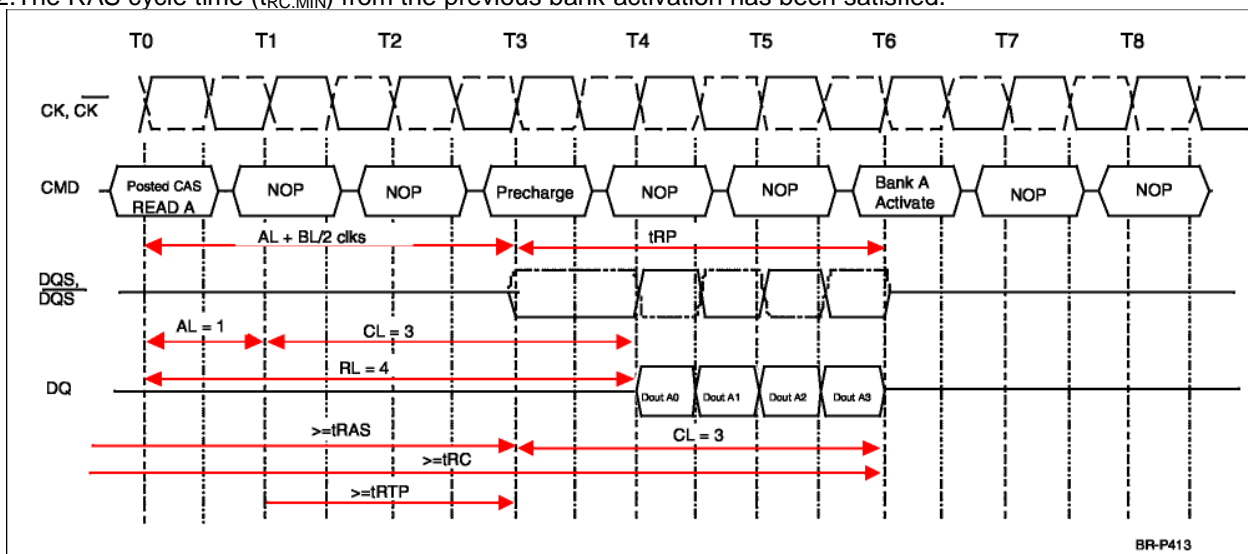
The following rules apply as long as the t_{RTP} timing parameter - Internal Read to Precharge Command delay time - is less or equal two clocks, which is the case for operating frequencies less or equal 266 MHz (DDR2 400 and 533 speed sorts).

Minimum Read to Precharge command spacing to the same bank = $AL + BL/2$ clocks. For the earliest possible precharge, the Precharge command may be issued on the rising edge which is "Additive Latency (AL) + $BL/2$ clocks" after a Read Command, as long as the minimum t_{RAS} timing is satisfied

The term $(t_{RTP} - 2xt_{CK})$ is 0 clocks for operating frequencies less or equal 266 MHz (DDR2-400 and DDR2-533 product speed sorts). The term $(t_{RTP} - 2xt_{CK})$ is one clock for frequencies higher then 266 MHz (DDR2-667 speed sort).

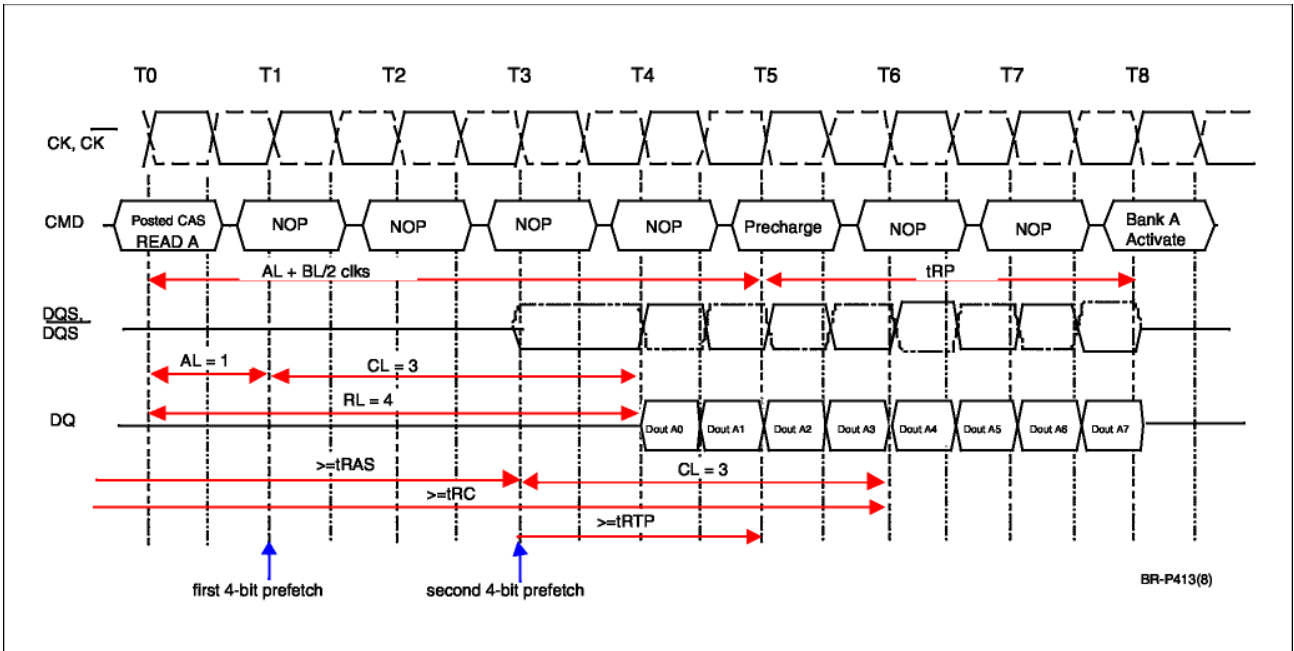
A new bank active command may be issued to the same bank if the following two conditions are satisfied simultaneously:

- 1.The RAS precharge time (t_{RP}) has been satisfied from the clock at which the precharge begins.
- 2.The RAS cycle time ($t_{RC,MIN}$) from the previous bank activation has been satisfied.

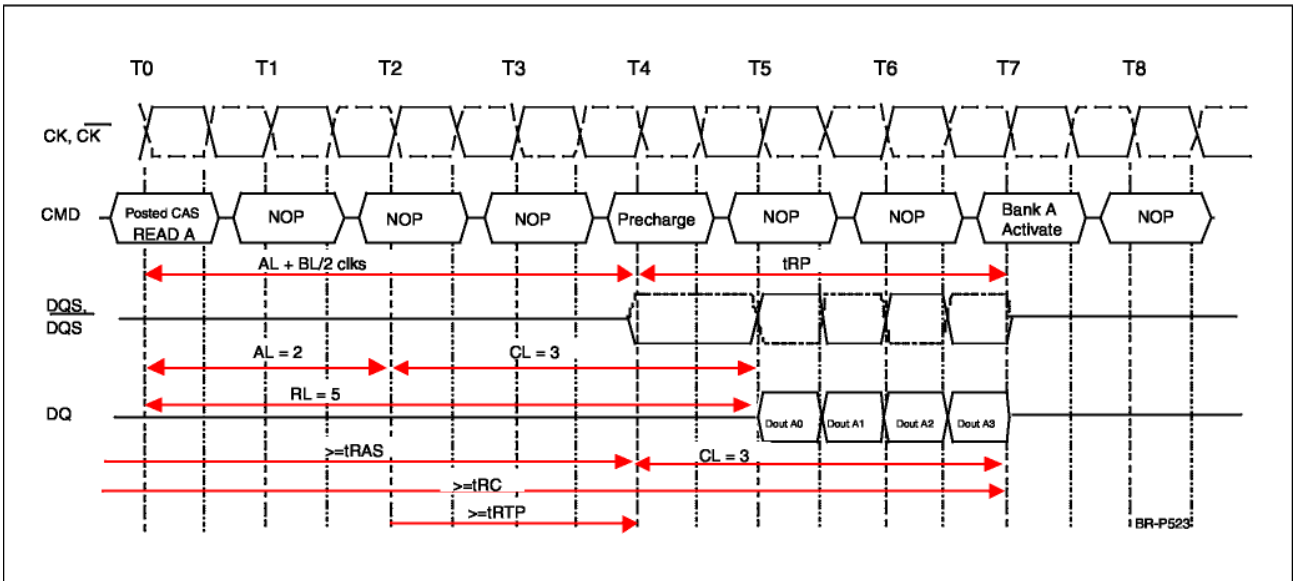


BR-P413

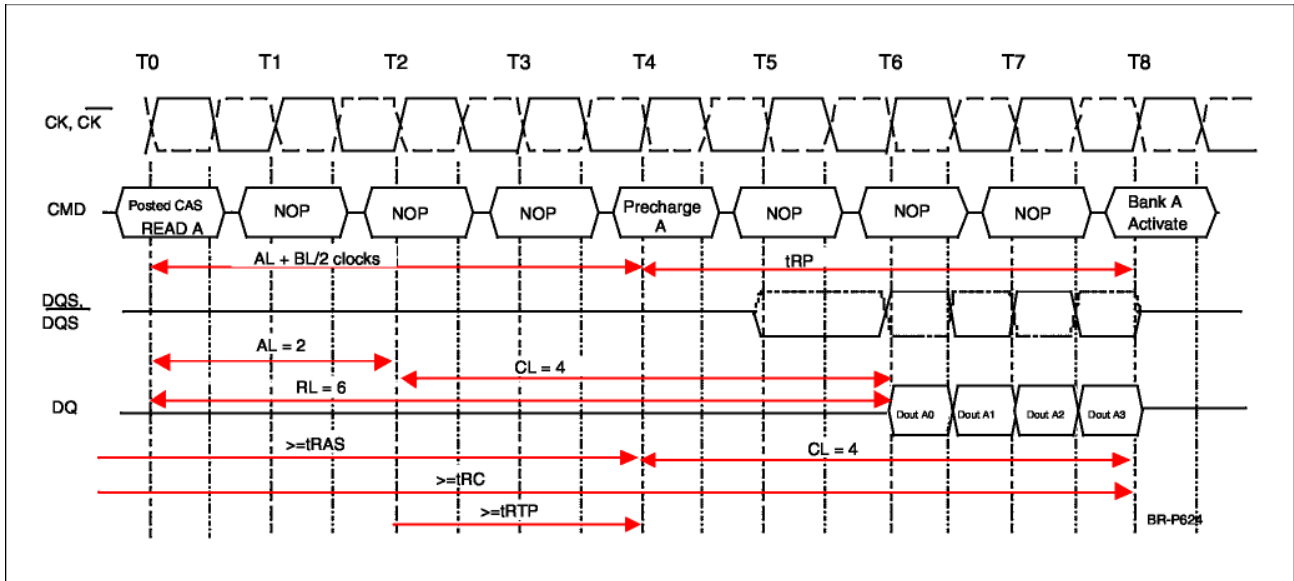
$RL = 4$ ($AL = 1, CL = 3$), $BL = 4, t_{RTP} \leq 2CKs$



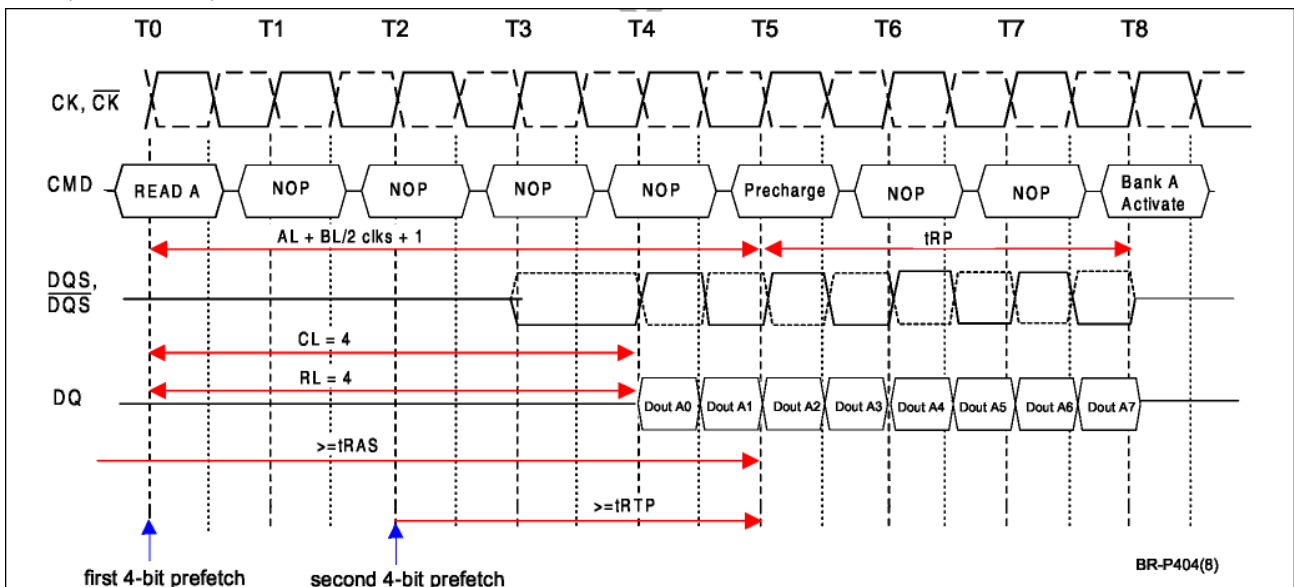
RL = 4 (AL = 1, CL = 3), BL = 8, $t_{RTP} \leq 2CKs$



RL=5(AL=2,CL=3), BL=4, $t_{RTP} \leq 2CKs$



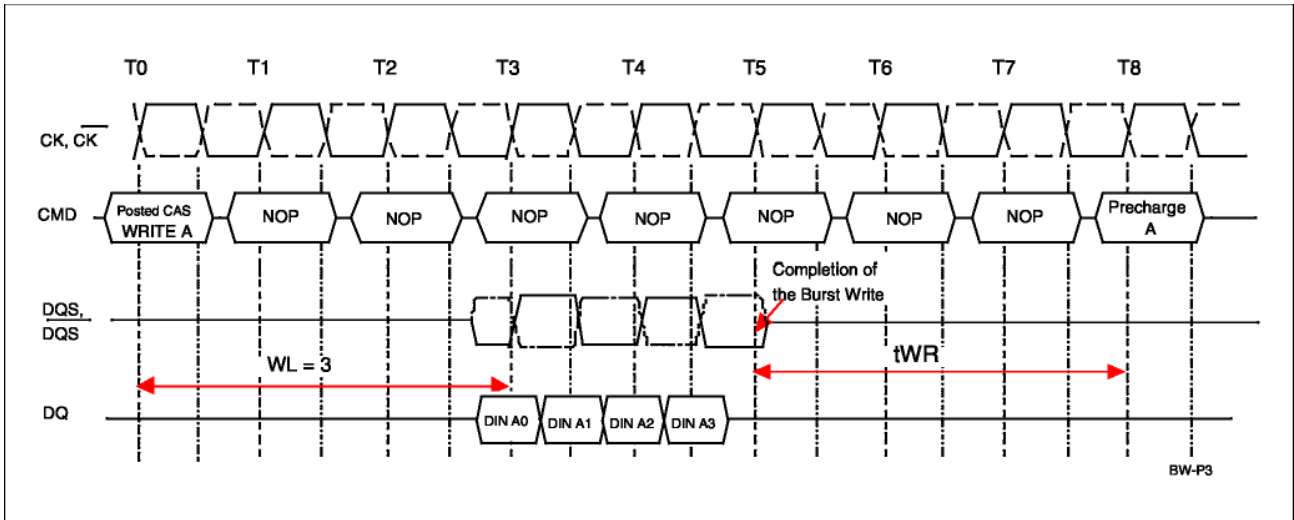
RL=6,(AL=2, CL=4), BL=4, $t_{RTP} \leq 2CCKs$



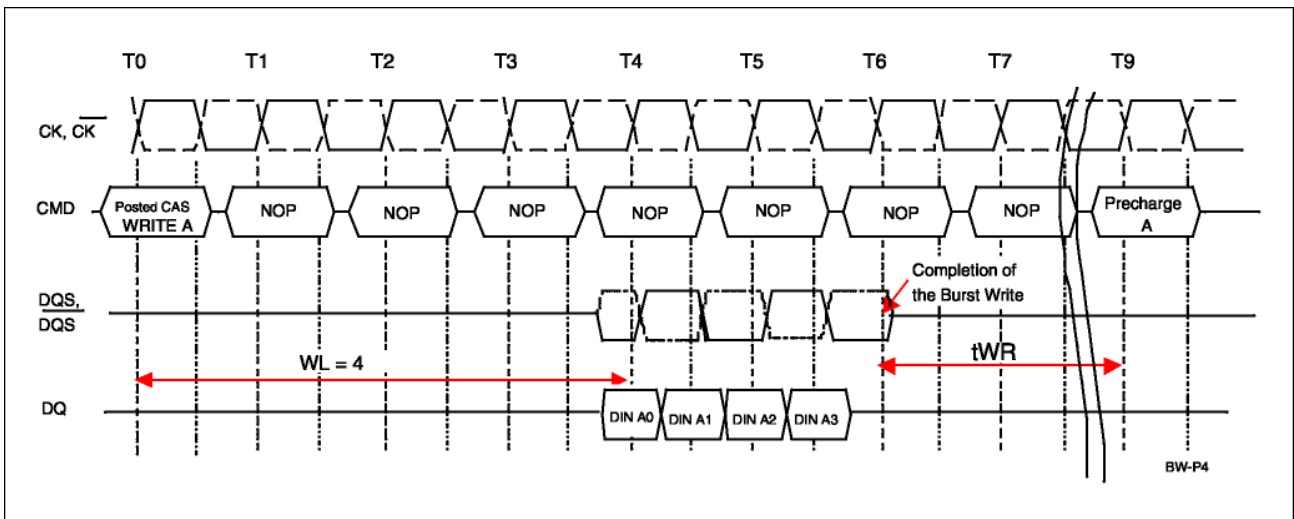
RL=4,(AL=0, CL=4), BL=8, $t_{RTP} > 2CCKs$

6.2.2.2 Write followed by Precharge

Minimum Write to Precharge command spacing to the same bank = $WL + BL/2 + t_{WR}$. For write cycles, a delay must be satisfied from the completion of the last burst write cycle until the Precharge command can be issued. This delay is known as a write recovery time (t_{WR}) referenced from the completion of the burst write to the Precharge command. No Precharge command should be issued prior to the t_{WR} delay, as DDR2 SDRAM does not support any burst interrupt by a Precharge command. t_{WR} is an analog timing parameter and is not the programmed value WR in the MR.



$WL = (RL - 1) = 3, BL = 4, t_{WR} = 3$



$WL = (RL - 1) = 4, BL = 4, t_{WR} = 3$

6.23 Auto-Precharge Operation

Before a new row in an active bank can be opened, the active bank must be precharged using either the Pre-charge Command or the Auto-Precharge function. When a Read or a Write Command is given to the DDR2 SDRAM, the CAS timing accepts one extra address, column address A10, to allow the active bank to automatically begin precharge at the earliest possible moment during the burst read or write cycle. If A10 is LOW when the Read or Write Command is issued, then normal Read or Write burst operation is executed and the bank remains active at the completion of the burst sequence. If A10 is HIGH when the Read or Write Command is issued, then the Auto-Precharge function is enabled. During Auto-Precharge, a Read Command will execute as normal with the exception that the active bank will begin to precharge internally on the rising edge which is CAS Latency (CL) clock cycles before the end of the read burst. Auto-Precharge is also implemented for Write Commands. The Precharge operation engaged by the Auto-Precharge command will not begin until the last data of the write burst sequence is properly stored in the memory array. This feature allows the precharge operation to be partially or completely hidden during burst read cycles (dependent upon CAS Latency) thus improving system performance for random data access. The RAS lockout circuit internally delays the Precharge operation until the array restore operation has been completed so that the Auto-Precharge command may be issued with any read or write command.

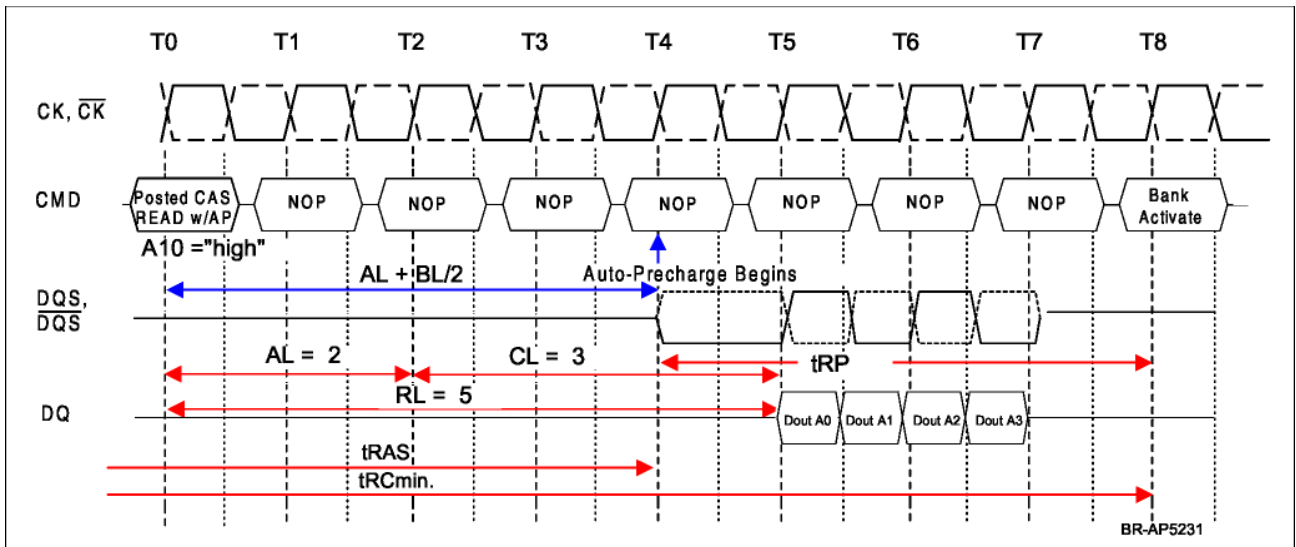
6.23.1 Read with Auto-Precharge

If A10 is 1 when a Read Command is issued, the Read with Auto-Precharge function is engaged. The DDR2 SDRAM starts an Auto-Precharge operation on the rising edge which is $(AL + BL/2)$ cycles later from the Read with AP command if $t_{RAS.MIN}$ and t_{RTP} are satisfied. If $t_{RAS.MIN}$ is not satisfied at the edge, the start point of Auto-Precharge operation will be delayed until $t_{RAS.MIN}$ is satisfied. If $t_{RTP.MIN}$ is not satisfied at the edge, the start point of Auto-Precharge operation will be delayed until $t_{RTP.MIN}$ is satisfied.

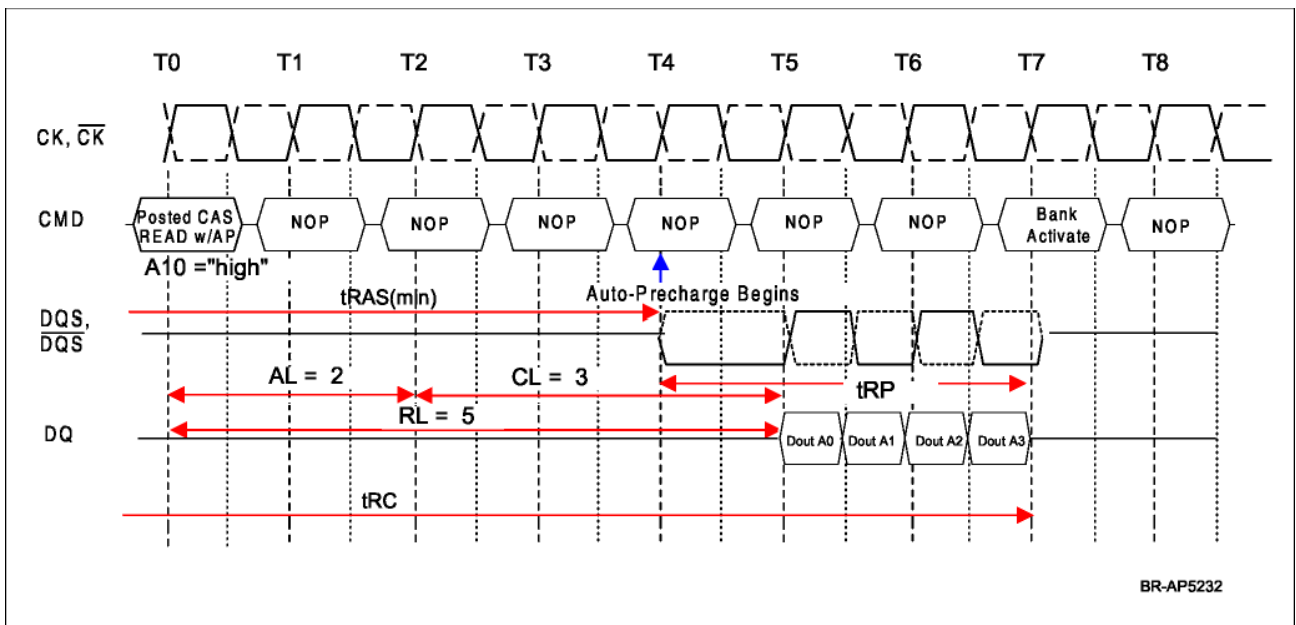
In case the internal precharge is pushed out by t_{RTP} , t_{RP} starts at the point where the internal precharge happens (not at the next rising clock edge after this event). So for $BL = 4$ the minimum time from Read with Auto-Precharge to the next Activate command becomes $AL + t_{RTP} + t_{RP}$. For $BL = 8$ the time from Read with Auto-Precharge to the next Activate command is $AL + 2 + t_{RTP} + t_{RP}$. Note that $(t_{RTP} + t_{RP})$ has to be rounded up to the next integer value. In any event internal precharge does not start earlier than two clocks after the last 4-bit prefetch.

A new bank active command may be issued to the same bank if the following two conditions are satisfied simultaneously:

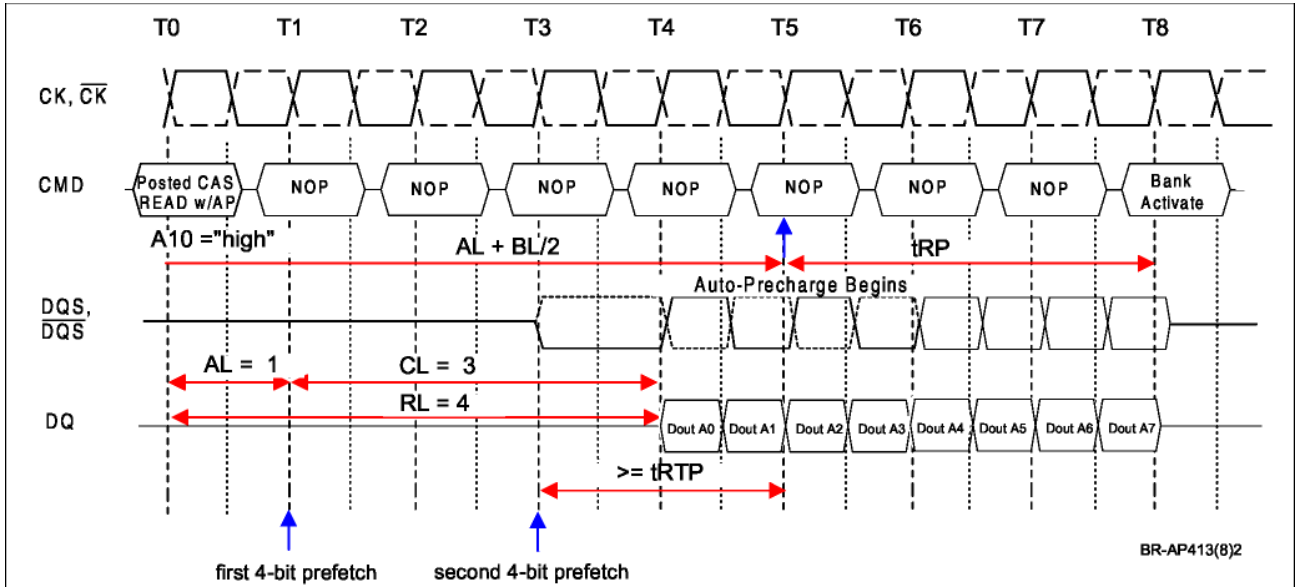
1. The RAS precharge time (t_{RP}) has been satisfied from the clock at which the Auto-Precharge begins.
2. The RAS cycle time (t_{RC}) from the previous bank activation has been satisfied.



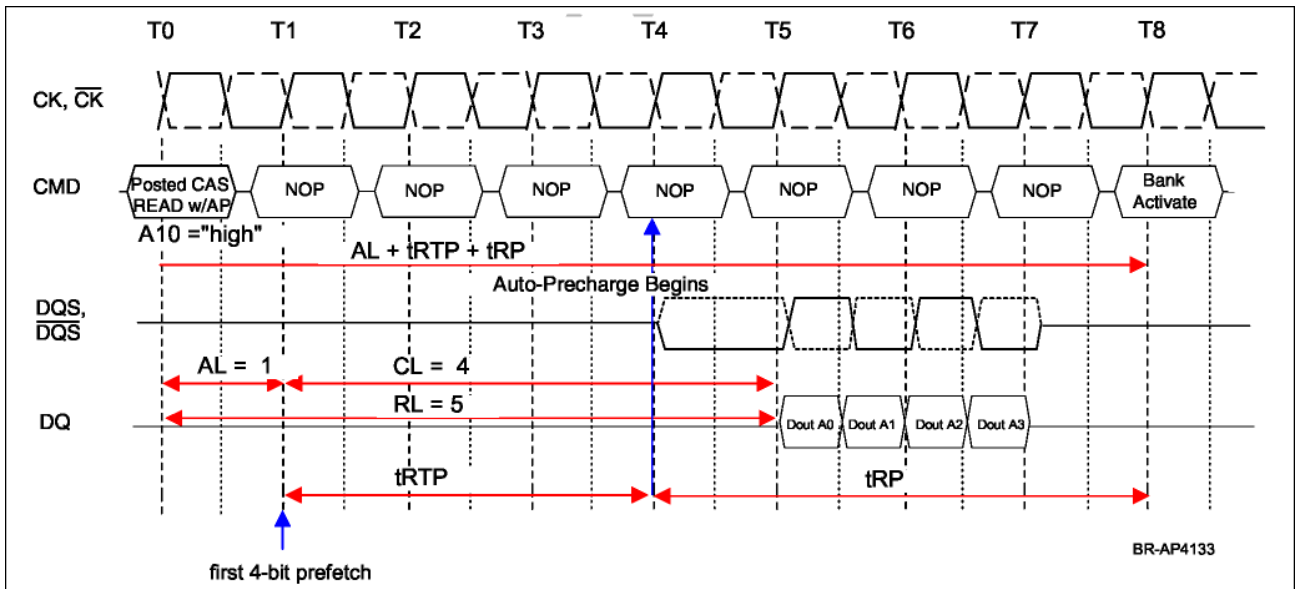
RL = 5 (AL = 2, CL = 3), BL = 4, $t_{RTP} \leq 2$ CKs



RL = 5 (AL = 2, CL = 3), BL = 4, $t_{RTP} \leq 2$ CKs



RL = 4 (AL = 1, CL = 3), BL = 8, $t_{RTP} \leq 2$ CKs



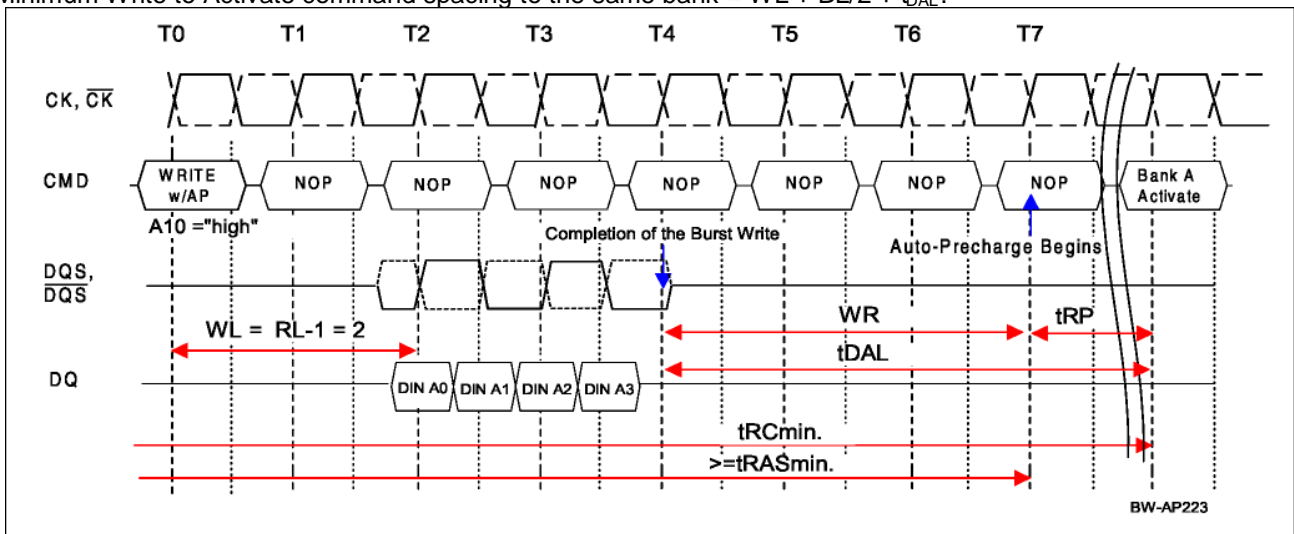
RL=5(AL= 1, CL = 4), BL = 4, $t_{RTP} = 3$ CKs

6.2.3.2 Write with Auto-Precharge

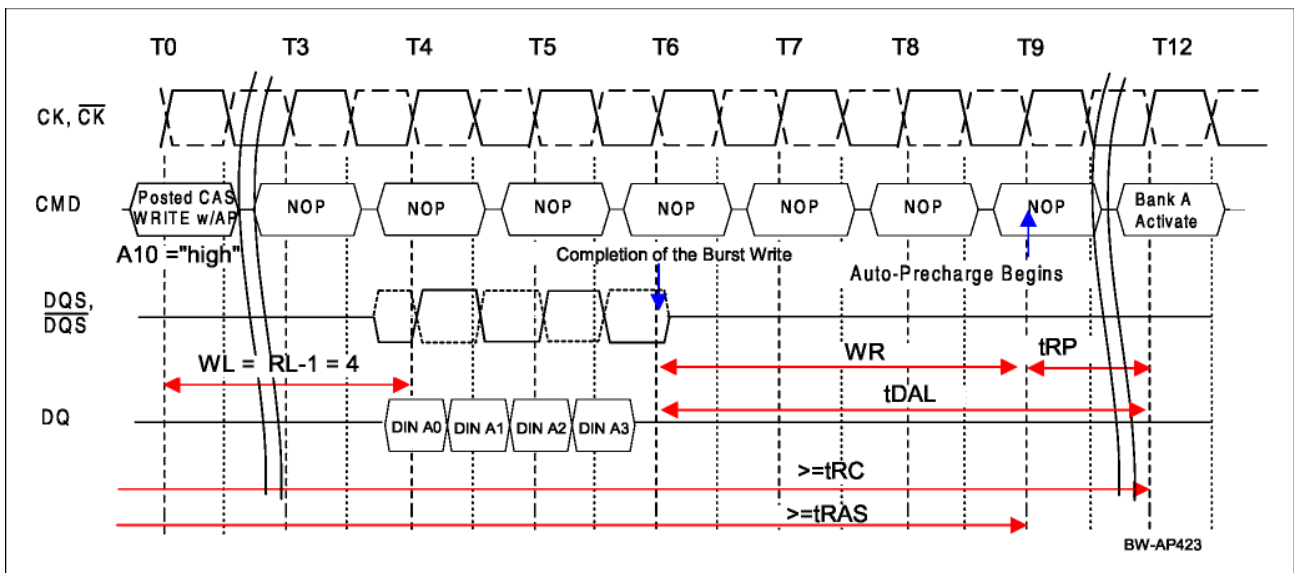
If A10 is HIGH when a Write Command is issued, the Write with Auto-Precharge function is engaged. The DDR2 SDRAM automatically begins precharge operation after the completion of the write burst plus the write recovery time delay (WR), programmed in the MRS register, as long as t_{RAS} is satisfied. The bank undergoing Auto-Precharge from the completion of the write burst may be reactivated if the following two conditions are satisfied.

1. The last data-in to bank activate delay time ($t_{DAL} = WR + t_{RP}$) has been satisfied.
2. The RAS cycle time (t_{RC}) from the previous bank activation has been satisfied.

In DDR2 SDRAM's the write recovery time delay (WR) has to be programmed into the MRS mode register. As long as the analog t_{WR} timing parameter is not violated, WR can be programmed between 2 and 6 clock cycles. Minimum Write to Activate command spacing to the same bank = $WL + BL/2 + t_{DAL}$.



$WL = 2, t_{DAL} = 6$ ($WR = 3, t_{RP} = 3$), $BL = 4$



$WL = 4, t_{DAL} = 6$ ($WR = 3, t_{RP} = 3$), $BL = 4$

6.23.3 Read or Write to Precharge Command Spacing Summary

The following table summarizes the minimum command delays between Read, Read w/AP, Write, Write w/AP to the Precharge commands to the same banks and Precharge-All commands.

Table 18 Minimum Command Delays

From Command	To Command	Minimum Delay between "From Command" to "To Command"	Unit	Note
READ	PRECHARGE (to same banks as READ)	$AL + BL/2 + \max(t_{RTP}, 2) - 2xt_{CK}$	t_{CK}	1)2)
	PRECHARGE-ALL	$AL + BL/2 + \max(t_{RTP}, 2) - 2xt_{CK}$	t_{CK}	1)2)
READ w/AP	PRECHARGE (to same banks as READ w/AP)	$AL + BL/2 + \max(t_{RTP}, 2) - 2xt_{CK}$	t_{CK}	1)2)
	PRECHARGE-ALL	$AL + BL/2 + \max(t_{RTP}, 2) - 2xt_{CK}$	t_{CK}	1)2)
WRITE	PRECHARGE (to same banks as WRITE)	$WL + BL/2 + t_{WR}$	t_{CK}	2)
	PRECHARGE-ALL	$WL + BL/2 + t_{WR}$	t_{CK}	2)
WRITE w/AP	PRECHARGE (to same banks as WRITE w/AP)	$WL + BL/2 + WR$	t_{CK}	2)
	PRECHARGE-ALL	$WL + BL/2 + WR$	t_{CK}	2)
PRECHARGE	PRECHARGE (to same banks as PRECHARGE)	1	t_{CK}	2)
	PRECHARGE-ALL	1	t_{CK}	2)
PRECHARGE-ALL	PRECHARGE	1	t_{CK}	2)
	PRECHARGE-ALL	1	t_{CK}	2)

- 1) $RU\{t_{RTP}(ns) / t_{CK}(ns)\}$ must be used, where RU stands for "Round Up"
- 2) For a given bank, the precharge period should be counted from the latest precharge command, either one bank precharge or precharge-all, issued to that bank. The precharge period is satisfied after $t_{RP,all}$ depending on the latest precharge command issued to that bank

6.23.4 Concurrent Auto-Precharge

DDR2 devices support the 'Concurrent Auto-Precharge' feature. A Read with Auto-Precharge enabled, or a Write with Auto-Precharge enabled, may be followed by any command to the other bank, as long as that command does not interrupt the read or write data transfer, and all other related limitations (e.g. contention between Read data and Write data must be avoided externally and on the internal data bus). The minimum delay from a Read or Write command with Auto-Precharge enabled, to a command to a different bank, is summarized in the Command Delay Table. As defined, the $WL = RL - 1$ for DDR2 devices which allows the command gap and corresponding data gaps to be minimized.

Table 19 Command Delay Table

From Command	To Command (different bank, non-interrupting command)	Minimum Delay with Concurrent Auto-Precharge Support	Unit	Note
WRITE w/AP	Read or Read w/AP	$(CL - 1) + (BL/2) + t_{WTR}$	t_{CK}	
	Write or Write w/AP	$BL/2$	t_{CK}	
	P recharge or Activate	1	t_{CK}	1)
Read w/AP	Read or Read w/AP	$BL/2$	t_{CK}	
	Write or Write w/AP	$BL/2 + 2$	t_{CK}	
	P recharge or Activate	1	t_{CK}	1)

This rule only applies to a selective Precharge command to another bank, a Precharge-All command is illegal

6.24 Refresh

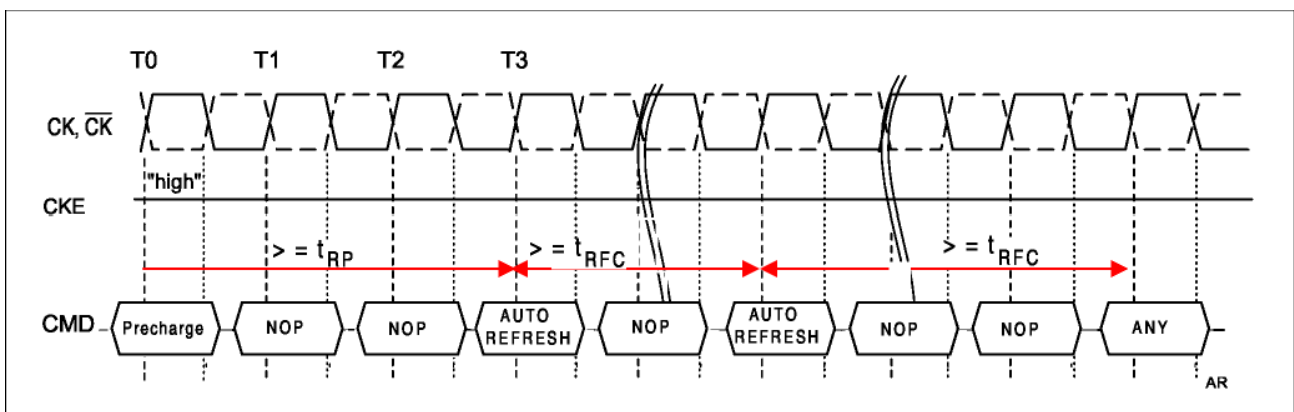
DDR2 SDRAM requires a refresh of all rows in any rolling 64 ms interval. The necessary refresh can be generated in one of two ways: by explicit Auto-Refresh commands or by an internally timed Self-Refresh mode.

6.24.1 Auto-Refresh Command

Auto-Refresh is used during normal operation of the DDR2 SDRAM's. This command is non persistent, so it must be issued each time a refresh is required. The refresh addressing is generated by the internal refresh controller. This makes the address bits "don't care" during an Auto-Refresh command. The DDR2 SDRAM requires Auto-Refresh cycles at an average periodic interval of $t_{REFLMAX}$. When CS, RAS and CAS are held LOW and WE HIGH at the rising edge of the clock, the chip enters the Auto-Refresh mode. All banks of the SDRAM must be precharged and idle for a minimum of the precharge time (t_{RP}) before the Auto-Refresh Command can be applied. An internal address counter supplies the addresses during the refresh cycle. No control of the external address bus is required once this cycle has started.

When the refresh cycle has completed, all banks of the SDRAM will be in the precharged (idle) state. A delay between the Auto-Refresh Command and the next Activate Command or subsequent Auto-Refresh Command must be greater than or equal to the Auto-Refresh cycle time (t_{RFC}).

To allow for improved efficiency in scheduling and switching between tasks, some flexibility in the absolute refresh interval is provided. A maximum of eight Auto-Refresh commands can be posted to any given DDR2 SDRAM, meaning that the maximum absolute interval between any Auto-Refresh command and the next Auto-Refresh command is $9 \times t_{REFI}$.

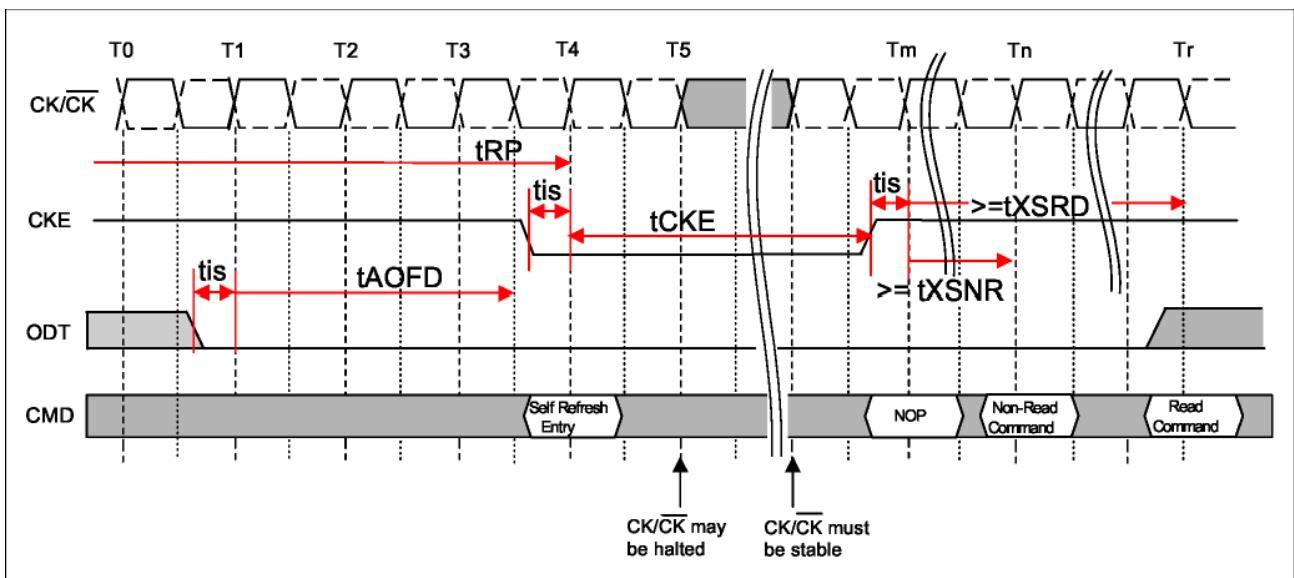


6.24.2 Self-Refresh Command

The Self-Refresh command can be used to retain data, even if the rest of the system is powered down. When in the Self-Refresh mode, the DDR2 SDRAM retains data without external clocking. The DDR2 SDRAM device has a built-in timer to accommodate Self-Refresh operation. The Self-Refresh Command is defined by having CS, RAS, CAS and CKE held LOW with WE HIGH at the rising edge of the clock. The device must be in idle state and ODT must be turned off before issuing Self Refresh command, by either driving ODT pin LOW or using EMRS(1) command. Once the command is registered, CKE must be held LOW to keep the device in Self-Refresh mode. The DLL is automatically disabled upon entering Self Refresh and is automatically enabled upon exiting Self Refresh. When the DDR2 SDRAM has entered Self-Refresh mode all of the external control signals, except CKE, are “don’t care”. The DRAM initiates a minimum of one Auto Refresh command internally within t_{CKE} period once it enters Self Refresh mode. The clock is internally disabled during Self-Refresh Operation to save power. The minimum time that the DDR2 SDRAM must remain in Self Refresh mode is t_{CKE} . The user may change the external clock frequency or halt the external clock one clock after Self-Refresh entry is registered, however, the clock must be restarted and stable before the device can exit Self-Refresh operation.

The procedure for exiting Self Refresh requires a sequence of commands. First, the clock must be stable prior to CKE going back HIGH. Once Self-Refresh Exit command is registered, a delay of at least t_{XSNR} must be satisfied before a valid command can be issued to the device to allow for any internal refresh in progress. CKE must remain HIGH for the entire Self-Refresh exit period t_{XSRD} for proper operation. Upon exit from Self Refresh, the DDR2 SDRAM can be put back into Self Refresh mode after t_{XSNR} expires. NOP or deselect commands must be registered on each positive clock edge during the Self-Refresh exit interval t_{XSNR} . ODT should be turned off during t_{XSNR} .

The use of Self Refresh mode introduces the possibility that an internally timed refresh event can be missed when CKE is raised for exit from Self Refresh mode. Upon exit from Self Refresh, the DDR2 SDRAM requires a minimum of one extra auto refresh command before it is put back into Self Refresh Mode.


Notes

1. Device must be in the “All banks idle” state before entering Self Refresh mode.
2. t_{XSRD} ($\geq 200 t_{CK}$) has to be satisfied for a Read or a Read with Auto-Precharge command.
3. t_{XSNR} has to be satisfied for any command except a Read or a Read with Auto-Precharge command
4. Since CKE is an SSTL input, V_{REF} must be maintained during Self Refresh.

6.25 Power-Down

Power-down is synchronously entered when CKE is registered LOW, along with NOP or Deselect command. CKE is not allowed to go LOW while mode register or extended mode register command time, or read or write operation is in progress. CKE is allowed to go LOW while any other operation such as row activation, Precharge, Auto-Precharge or Auto-Refresh is in progress, but power-down I_{DD} specification will not be applied until finishing those operations.

The DLL should be in a locked state when power-down is entered. Otherwise DLL should be reset after exiting power-down mode for proper read operation. DRAM design guarantees it's DLL in a locked state with any CKE intensive operations as long as DRAM controller complies with DRAM specifications.

If power-down occurs when all banks are precharged, this mode is referred to as Precharge Power-down; if power-down occurs when there is a row active in any bank, this mode is referred to as Active Power-down.

For Active Power-down two different power saving modes can be selected within the MRS register, address bit A12. When A12 is set to LOW this mode is referred as "standard active power-down mode" and a fast power-down exit timing defined by the t_{XARD} timing parameter can be used. When A12 is set to HIGH this mode is referred as a power saving "low power active power-down mode". This mode takes longer to exit from the power-down mode and the t_{XARDS} timing parameter has to be satisfied.

Entering power-down deactivates the input and output buffers, excluding CK, !CK, ODT and CKE. Also the DLL is disabled upon entering Precharge Power-down or slow exit active power-down, but the DLL is kept enabled during fast exit active power-down. In power-down mode, CKE LOW and a stable clock signal must be maintained at the inputs of the DDR2 SDRAM, and all other input signals are "Don't Care". Power-down duration is limited by 9 times t_{REFI} of the device.

Power-Down Entry

Active Power-down mode can be entered after an Activate command. Precharge Power-down mode can be entered after a Precharge, Precharge-All or internal precharge command. It is also allowed to enter power-mode after an Auto-Refresh command or MRS / EMRS(1) command when t_{MRD} is satisfied.

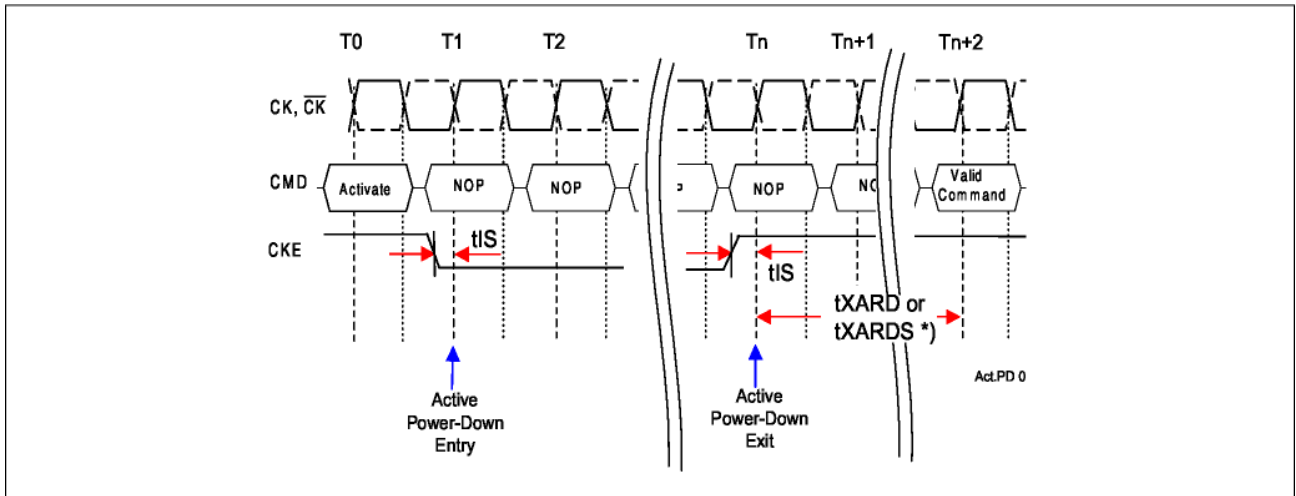
Active Power-down mode entry is prohibited as long as a Read Burst is in progress, meaning CKE should be kept HIGH until the burst operation is finished. Therefore Active Power-Down mode entry after a Read or Read with Auto-Precharge command is allowed after $RL + BL/2$ is satisfied.

Active Power-down mode entry is prohibited as long as a Write Burst and the internal write recovery is in progress. In case of a write command, active power-down mode entry is allowed when $WL + BL/2 + t_{WTR}$ is satisfied.

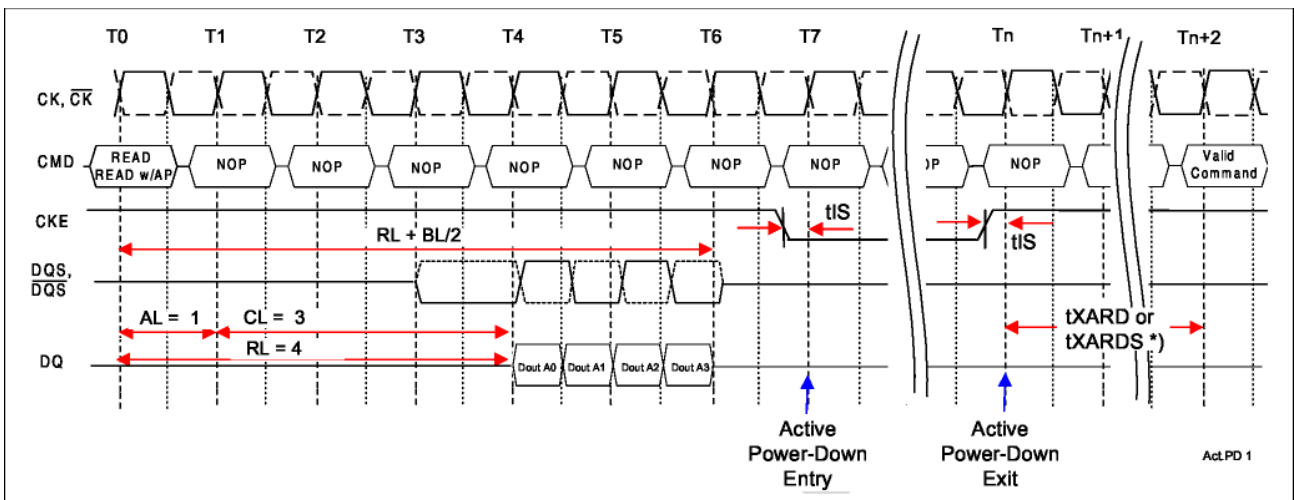
In case of a write command with Auto-Precharge, Power-down mode entry is allowed after the internal precharge command has been executed, which is $WL + BL/2 + WR$ starting from the write with Auto-Precharge command. In this case the DDR2 SDRAM enters the Precharge Power-down mode.

Power-Down Exit

The power-down state is synchronously exited when CKE is registered HIGH (along with a NOP or Deselect command). A valid, executable command can be applied with power-down exit latency, t_{XP} , t_{XARD} or t_{XARDS} , after CKE goes HIGH.

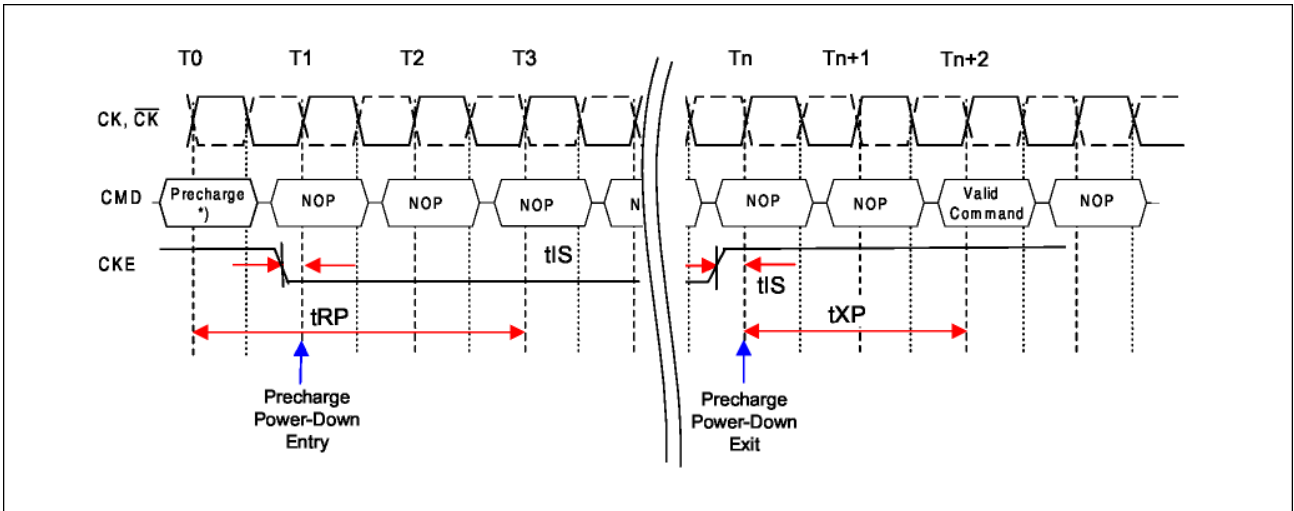


Note: Active Power-Down mode exit timing t_{XARD} ("fast exit") or t_{XARDS} ("slow exit") depends on the programmed state in the MR, address bit A 12.



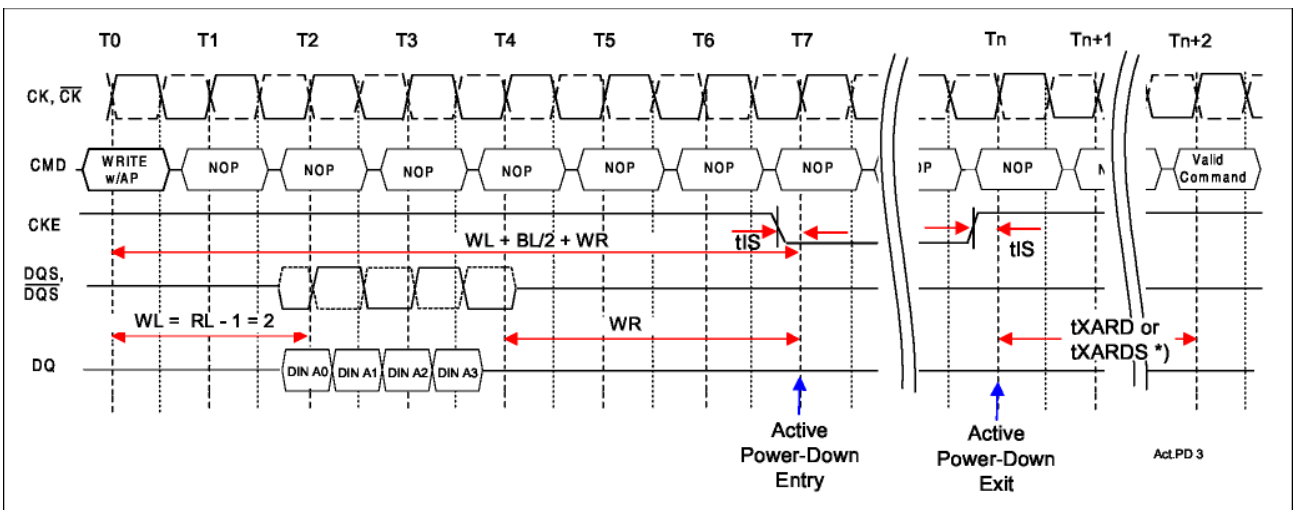
$RL = 4$ ($AL = 1$, $CL = 3$), $BL = 4$

Note: Active Power-Down mode exit timing t_{XARD} ("fast exit") or t_{XARDS} ("slow exit") depends on the programmed state in the MR, address bit A 12.



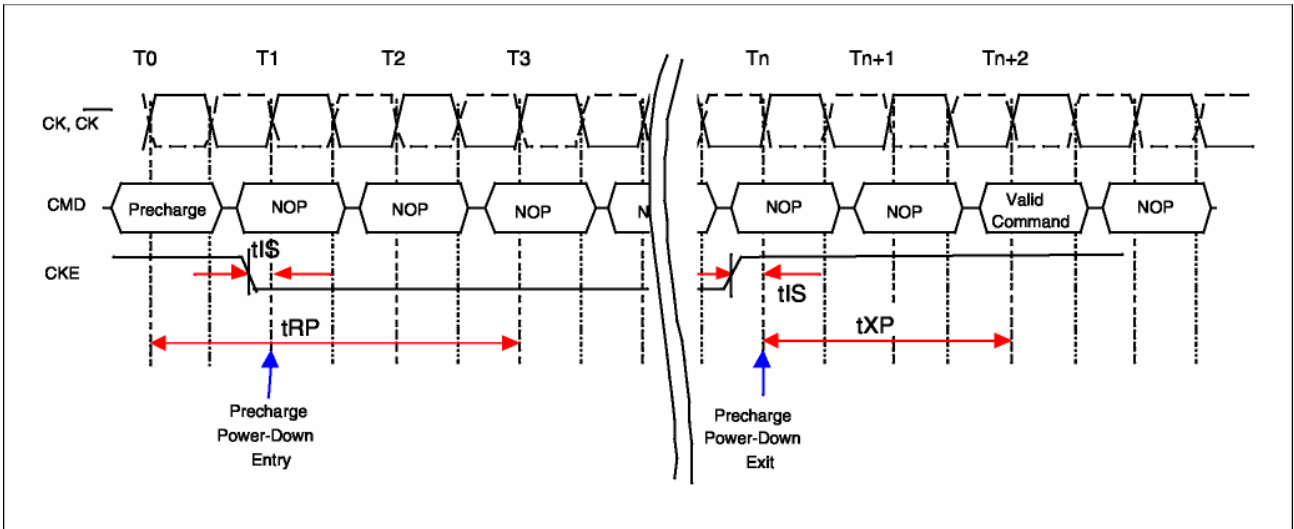
WL = 2, $t_{WTR} = 2$, BL = 4

Note: Active Power-Down mode exit timing t_{XARD} ("fast exit") or t_{XARDS} ("slow exit") depends on the programmed state in the MR, address bit A 12.

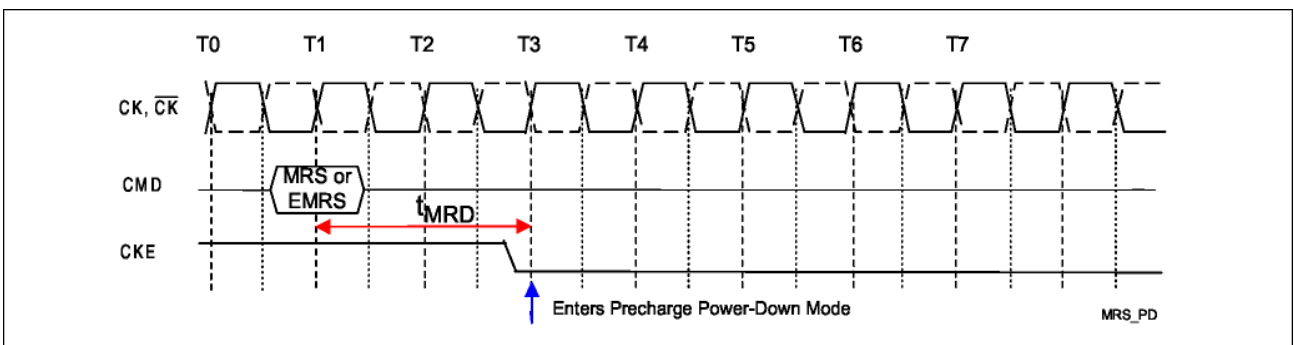
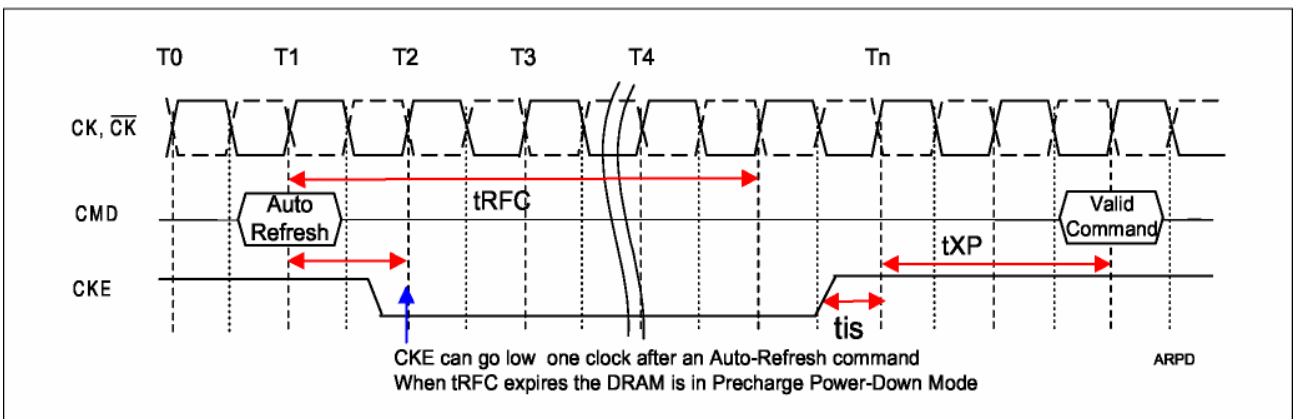


WL = 2, WR = 3, BL = 4

Note: Active Power-Down mode exit timing t_{XARD} ("fast exit") or t_{XARDS} ("slow exit") depends on the programmed state in the MR, address bit A 12.



Note: "Precharge" may be an external command or an internal precharge following Write with AP.



6.26 Other Commands

No Operation Command

The No Operation Command (NOP) should be used in cases when the SDRAM is in a idle or a wait state. The purpose of the No Operation Command is to prevent the SDRAM from registering any unwanted commands between operations. A No Operation Command is registered when CS is LOW with RAS, CAS, and WE held HIGH at the rising edge of the clock. A No Operation Command will not terminate a previous operation that is still executing, such as a burst read or write cycle.

Deselect Command

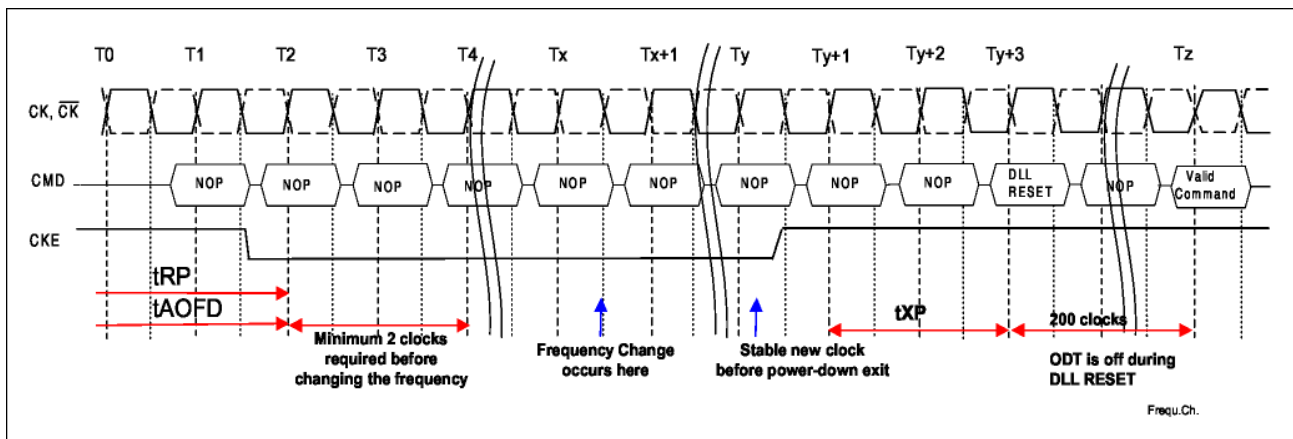
The Deselect Command performs the same function as a No Operation Command. Deselect Command occurs when CS is brought HIGH, the RAS, CAS, and WE signals become don't care.

6.27 Input Clock Frequency Change

During operation the DRAM input clock frequency can be changed under the following conditions:

1. During Self-Refresh operation
2. DRAM is in Precharge Power-down mode and ODT is completely turned off.

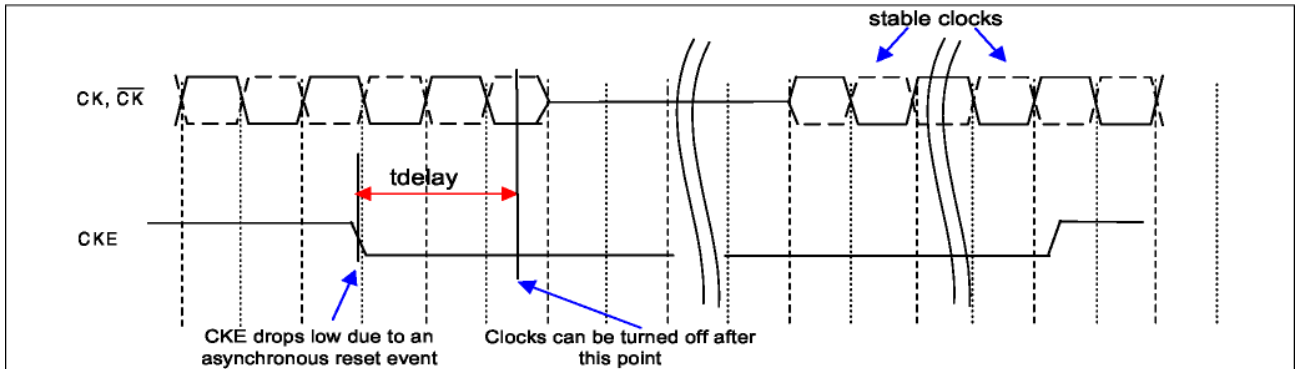
In the Precharge Power-down mode the DDR2-SDRAM has to be in Precharged Power-down mode and idle. ODT must be already turned off and CKE must be at a logic LOW state. After a minimum of two clock cycles after t_{RP} and t_{AOFD} have been satisfied the input clock frequency can be changed. A stable new clock frequency has to be provided, before CKE can be changed to a HIGH logic level again. After t_{XP} has been satisfied a DLL RESET command via EMRS(1) has to be issued. During the following DLL re-lock period of 200 clock cycles, ODT must remain off. After the DLL-re-lock period the DRAM is ready to operate with the new clock frequency.



Asynchronous CKE LOW Reset Event

In a given system, Asynchronous Reset event can occur at any time without prior knowledge. In this situation, memory controller is forced to drop CKE asynchronously LOW, immediately interrupting any valid operation. DRAM requires CKE to be maintained HIGH for all valid operations as defined in this data sheet. If CKE asynchronously drops LOW during any valid operation, the DRAM is not guaranteed to preserve the contents of the memory array. If this event occurs, the memory controller must satisfy a time delay (t_{DELAY}) before turning off the clocks. Stable clocks must exist at the input of DRAM before CKE is raised HIGH again. The DRAM must be fully re-initialized as described the initialization sequence (Power On and Initialization, step 4 through 13). DRAM

is ready for normal operation after the initialization sequence.



7. Truth tables
Table 20 Command Truth Table

Function	CKE		CS	RAS	CAS	WE	BA0 BA1	A[12:11]	A10	A[9:0]	Note ¹⁾²⁾³⁾
	Previous Cycle	Current Cycle									
(Extended) Mode Register Set	H	H	L	L	L	L	BA	OP Code			4)5)
Auto-Refresh	H	H	L	L	L	H	X	X	X	X	4)
Self-Refresh Entry	H	L	L	L	L	H	X	X	X	X	4)6)
Self-Refresh Exit	L	H	H	X	X	X	X	X	X	X	4)6)7)
			L	H	H	H					
Single Bank Precharge	H	H	L	L	H	L	BA	X	L	X	4)5)
Precharge all Banks	H	H	L	L	H	L	X	X	H	X	4)
Bank Activate	H	H	L	L	H	H	BA	Row Address			4)5)
Write	H	H	L	H	L	L	BA	Column	L	Column	4)5)8)
Write with Auto-P recharge	H	H	L	H	L	L	BA	Column	H	Column	4)5)8)
Read	H	H	L	H	L	H	BA	Column	L	Column	4)5)8)
Read with Auto-P recharge	H	H	L	H	L	H	BA	Column	H	Column	4)5)8)
No Operation	H	X	L	H	H	H	X	X	X	X	4)
Device Deselect	H	X	H	X	X	X	X	X	X	X	4)
Power Down Entry	H	L	H	X	X	X	X	X	X	X	4)9)
			L	H	H	H					
Power Down Exit	L	H	H	X	X	X	X	X	X	X	4)9)
			L	H	H	H					

1. The state of ODT does not affect the states described in this table. The ODT function is not available during Self Refresh.
2. "X" means "H or L (but a defined logic level)".
3. Operation that is not specified is illegal and after such an event, in order to guarantee proper operation, the DRAM must be powered down and then restarted through the specified initialization sequence before normal operation can continue.
4. All DDR2 SDRAM commands are defined by states of CS, WE, RAS, CAS, and CKE at the rising edge of the clock.
5. Bank addresses (BAx) determine which bank is to be operated upon. For (E)MRS BA[1 :0] selects an (Extended) Mode Register.
6. V_{REF} must be maintained during Self Refresh operation.
7. Self Refresh Exit is asynchronous.
8. Burst reads or writes at BL = 4 cannot be terminated.
9. The Power Down Mode does not perform any refresh operations. The duration of Power Down is therefore limited by the refresh requirements outlined in Chapter 6.24

Table 21 Clock Enable (CKE) Truth Table for Synchronous Transitions

Current State ¹⁾	CKE		Command (N) ^{2) 3)} RAS, CAS, WE	Action (N) ²⁾	Note ⁴⁾⁵⁾
	Previous Cycle ⁶⁾ (N-1)	Current Cycle ⁶⁾ (N)			
Power-Down	L	L	X	Maintain Power-Down	7)8)11)
	L	H	DESELECT or NOP	Power-Down Exit	7)9)10)11)
Self Refresh	L	L	X	Maintain Self Refresh	8)11)12)
	L	H	DESELECT or NOP	Self Refresh Exit	9)12)13)14)
Bank(s) Active	H	L	DESELECT or NOP	Active Power-Down Entry	7)9)10)11)15)
All Banks Idle	H	L	DESELECT or NOP	Precharge Power-Down Entry	9)10)11)15)
	H	L	AUTOREFRESH	Self Refresh Entry	7)11)14)16)
Any State other than listed above	H	H	Refer to the Command Truth Table		17)

1. Current state is the state of the DDR2 SDRAM immediately prior to clock edge N.
2. Command (N) is the command registered at clock edge N, and Action (N) is a result of Command (N)
3. The state of ODT does not affect the states described in this table. The ODT function is not available during Self Refresh.
4. CKE must be maintained HIGH while the device is in OCD calibration mode.
5. Operation that is not specified is illegal and after such an event, in order to guarantee proper operation, the DRAM must be powered down and then restarted through the specified initialization sequence before normal operation can continue.
6. CKE (N) is the logic state of CKE at clock edge N; CKE (N-1) was the state of CKE at the previous clock edge.
7. The Power-Down Mode does not perform any refresh operations. The duration of Power-Down Mode is therefor limited by the refresh requirements
8. "X" means "don't care (including floating around V_{REF})" in Self Refresh and Power Down. However ODT must be driven HIGH or LOW in Power Down if the ODT function is enabled (Bit A2 or A6 set to "1" in EMRS(1)).
9. All states and sequences not shown are illegal or reserved unless explicitly described elsewhere in this document.
10. Valid commands for Power-Down Entry and Exit are NOP and DESELECT only.
11. $t_{CKE,MIN}$ of 3 clocks means CKE must be registered on three consecutive positive clock edges. CKE must remain at the valid input level the entire time it takes to achieve the 3 clocks of registration. Thus, after any CKE transition, CKE may not transition from its valid level during the time period of $t_{IS} + 2 \times t_{CKE} + t_{IH}$.
12. V_{REF} must be maintained during Self Refresh operation.
13. On Self Refresh Exit DESELECT or NOP commands must be issued on every clock edge occurring during the t_{XSNR} period. Read commands may be issued only after t_{XSRD} (200 clocks) is satisfied.
14. Valid commands for Self Refresh Exit are NOP and DESELCT only.
15. Power-Down and Self Refresh can not be entered while Read or Write operations, (Extended) mode Register operations, Precharge or Refresh operations are in progress.
16. Self Refresh mode can only be entered from the All Banks Idle state.
17. Must be a legal command as defined in the Command Truth Table.

Table 22 Data Mask (DM) Truth Table

Name (Function)	DM	DQs	Note
Write Enable	L	Valid	¹⁾
Write Inhibit	H	X	¹⁾

1. Used to mask write data; provided coincident with the corresponding data

8. AC & DC Operating Conditions

8.1 Absolute Maximum Ratings

Table 23 Absolute Maximum Ratings

Symbol	Parameter	Rating	Unit	Note
V _{DD}	Voltage on V _{DD} pin relative to V _{SS}	-1.0 to +2.3	V	¹⁾²⁾
V _{DDQ}	Voltage on V _{DDQ} pin relative to V _{SS}	-0.5 to +2.3	V	¹⁾²⁾
V _{DDL}	Voltage on V _{DDL} pin relative to V _{SS}	-0.5 to +2.3	V	¹⁾²⁾
V _{IN} , V _{OUT}	Voltage on any pin relative to V _{SS}	-0.5 to +2.3	V	¹⁾
T _{STG}	Storage Temperature	-55 to +100	°C	¹⁾³⁾

1. Stresses greater than those listed under “Absolute Maximum Ratings” may cause permanent damage to the device. This is a stress rating only and functional operation of the device at these or any other conditions above those indicated in the operational sections of this specification is not implied. Exposure to absolute maximum rating conditions for extended periods may affect reliability.

2. V_{DD}, V_{DDQ} and V_{DDL} must be within 300 mV of each other at all times, and V_{REF} must not be greater than 0.6 x V_{DDQ}. However when V_{DD}, V_{DDQ} and V_{DDL} are less than 500 mV, V_{REF} may be equal to or less than 300 mV.

3. Storage Temperature is the case surface temperature on the center/top side of the DRAM.

Table 24 DRAM Component Operating Temperature Range

Symbol	Parameter	Rating	Unit	Note
T _{OPER}	Operating Temperature	0 to 95	°C	¹⁾²⁾³⁾⁴⁾

1. Operating Temperature is the case surface temperature on the center / top side of the DRAM.

2. The operating temperature range are the temperatures where all DRAM specification will be supported. During operation, the DRAM case temperature must be maintained between 0 - 95 °C under all other specification parameters.

3. Above 85 °C case temperature the Auto-Refresh command interval has to be reduced to t_{REFI} = 3.9 μs.

4. Self-Refresh period is hard-coded in the chip and therefore it is imperative that the system ensures the DRAM is below 85 °C case temperature before initiating self-refresh operation.

8.2 DC Characteristics
Table 25 Recommended DC Operating Conditions (SSTL_18)

Symbol	Parameter	Rating			Unit	Note
		Min.	Typ.	Max.		
V _{DD}	Supply Voltage	1.7	1.8	1.9	V	1)
V _{DDDL}	Supply Voltage for DLL	1.7	1.8	1.9	V	1)
V _{DDQ}	Supply Voltage for Output	1.7	1.8	1.9	V	1)
V _{REF}	Input Reference Voltage	0.49 × V _{DDQ}	0.5 × V _{DDQ}	0.51 × V _{DDQ}	V	2)3)
V _{TT}	Termination Voltage	V _{REF} - 0.04	V _{REF}	V _{REF} + 0.04	V	4)

- V_{DDQ} tracks with V_{DD}, V_{DDDL} tracks with V_{DD}. AC parameters are measured with V_{DD}, V_{DDQ} and V_{DDDL} tied together.
- The value of V_{REF} may be selected by the user to provide optimum noise margin in the system. Typically the value of V_{REF} is expected to be about 0.5 × V_{DDQ} of the transmitting device and V_{REF} is expected to track variations in V_{DDQ}.
- Peak to peak ac noise on V_{REF} may not exceed ± 2% V_{REF} (dc)
- V_{TT} is not applied directly to the device. V_{TT} is a system supply for signal termination resistors, is expected to be set equal to V_{REF}, and must track variations in die dc level of V_{REF}.

Table 26 ODT DC Electrical Characteristics

Parameter / Condition	Symbol	Min.	Nom.	Max.	Unit	Note
Termination resistor impedance value for EMRS(1)[A6,A2] = [0,1]; 75 Ohm	Rtt1(eff)	60	75	90	~	1)
Termination resistor impedance value for EMRS(1)[A6,A2] = [1,0]; 150 Ohm	Rtt2(eff)	120	150	180	~	1)
Termination resistor impedance value for EMRS(1)(A6,A2)=[1,1]; 50 Ohm	Rtt3(eff)	40	50	60	~	1)
Deviation of V _M with respect to V _{DDQ} / 2	delta V _M	-6.00	—	+ 6.00	%	2)

- Measurement Definition for Rtt(eff): Apply V_{IH}(ac) and V_{IL}(ac) to test pin separately, then measure current I(V_{IH}ac) and I(V_{IL}ac) respectively. Rtt(eff) = (V_{IH}(ac) - V_{IL}(ac)) / (I(V_{IH}ac) - I(V_{IL}ac)).
- Measurement Definition for V_M: Turn ODT on and measure voltage (V_M) at test pin (midpoint) with no load: delta V_M = ((2 × V_M / V_{DDQ}) - 1) × 100%

Table 27 Input and Output Leakage Currents

Symbol	Parameter / Condition	Min.	Max.	Unit	Note
I _{IL}	Input Leakage Current; any input 0 V < V _{IN} < V _{DD}	-2	+2	μA	1)
I _{OL}	Output Leakage Current; 0 V < V _{OUT} < V _{DDQ}	-5	+5	μA	2)

- all other pins not under test = 0 V
- DQ's, LDQS, !LDQS, UDQS, !UDQS, DQS, !DQS, RDQS, !RDQS are disabled and ODT is turned off

8.3 DC & AC Characteristics

DDR2 SDRAM pin timing are specified for either single ended or differential mode depending on the setting of the EMRS(1) "Enable DQS" mode bit; timing advantages of differential mode are realized in system design. The method by which the DDR2 SDRAM pin timing are measured is mode dependent. In single ended mode, timing relationships are measured relative to the rising or falling edges of DQS crossing at V_{REF} . In differential mode, these timing relationships are measured relative to the crosspoint of DQS and its complement, DQS. This distinction in timing methods is verified by design and characterization but not subject to production test. In single ended mode, the DQS (and RDQS) signals are internally disabled and don't care.

Table 28 DC & AC Logic Input Levels

Symbol	Parameter	DDR2-400, DDR2-533		DDR2-667		Unit
		Min.	Max.	Min.	Max.	
$V_{IH}(dc)$	DC input logic high	$V_{REF} + 0.125$	$V_{DDQ} + 0.3$	$V_{REF} + 0.125$	$V_{DDQ} + 0.3$	V
$V_{IL}(dc)$	DC input low	-0.3	$V_{REF} - 0.125$	-0.3	$V_{REF} - 0.125$	V
$V_{IH}(ac)$	AC input logic high	$V_{REF} + 0.250$	—	$V_{REF} + 0.200$	—	V
$V_{IL}(ac)$	AC input low	—	$V_{REF} - 0.250$	—	$V_{REF} - 0.200$	V

Table 29 Single-ended AC Input Test Conditions

Symbol	Condition	Value	Unit	Note
V_{REF}	Input reference voltage	$0.5 \times V_{DDQ}$	V	1)
$V_{SWING,MAX}$	Input signal maximum peak to peak swing	1.0	V	1)
SLEW	Input signal minimum Slew Rate	1.0	V / ns	2)3)

1. Input waveform timing is referenced to the input signal crossing through the V_{REF} level applied to the device under test.
2. The input signal minimum Slew Rate is to be maintained over the range from $V_{IH}(ac).MIN$ to V_{REF} for rising edges and the range from V_{REF} to $V_{IL}(ac).MAX$ for falling edges as shown in below.
3. AC timings are referenced with input waveforms switching from $V_{IL}(ac)$ to $V_{IH}(ac)$ on the positive transitions and $V_{IH}(ac)$ to $V_{IL}(ac)$ on the negative transitions.

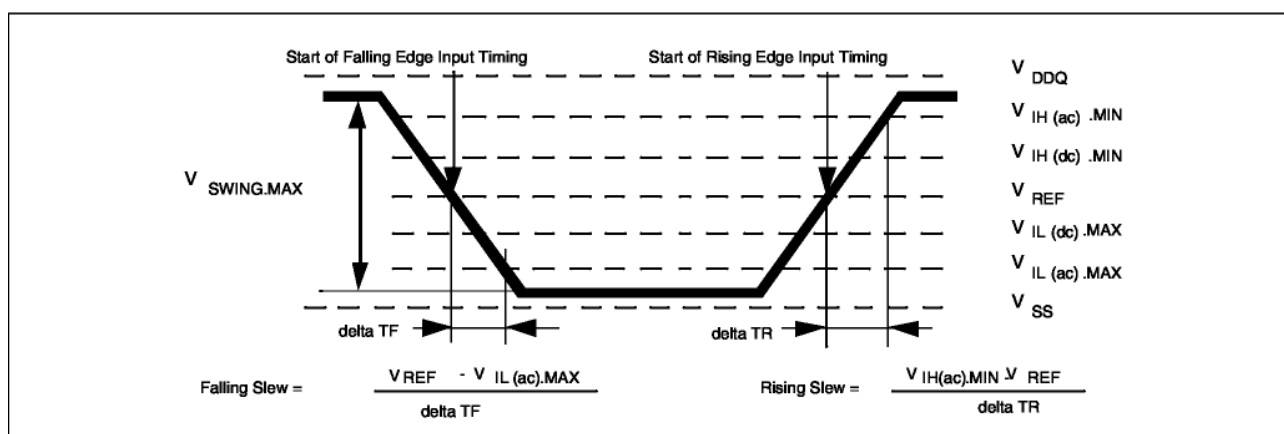
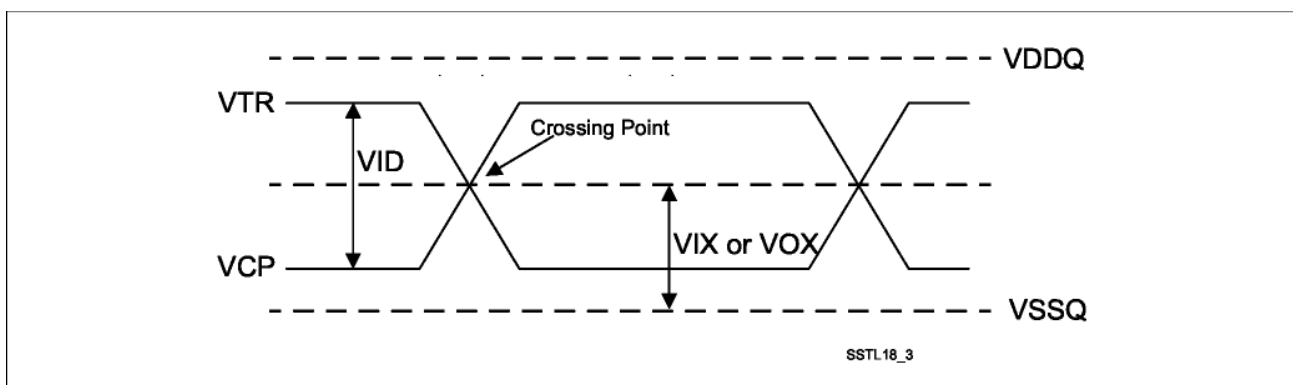


Table 30 Differential DC and AC Input and Output Logic Levels

Symbol	Parameter	Min.	Max.	Unit	Note
$V_{IN}(dc)$	DC input signal voltage	-0.3	$V_{DDQ} + 0.3$	—	1)
$V_{ID}(dc)$	DC differential input voltage	0.25	$V_{DDQ} + 0.6$	—	2)
$V_{ID}(ac)$	AC differential input voltage	0.5	$V_{DDQ} + 0.6$	V	3)
$V_{IX}(ac)$	AC differential cross point input voltage	$0.5 \times V_{DDQ} - 0.175$	$0.5 \times V_{DDQ} + 0.175$	V	4)
$V_{OX}(ac)$	AC differential cross point output voltage	$0.5 \times V_{DDQ} - 0.125$	$0.5 \times V_{DDQ} + 0.125$	V	5)

- $V_{IN}(dc)$ specifies the allowable DC execution of each input of differential pair such as CK, CK, DQS, DQS etc.
- $V_{ID}(dc)$ specifies the input differential voltage $V_{TR} - V_{CP}$ required for switching. The minimum value is equal to $V_{IH}(dc) - V_{IL}(dc)$.
- $V_{ID}(ac)$ specifies the input differential voltage $V_{TR} - V_{CP}$ required for switching. The minimum value is equal to $V_{IH}(ac) - V_{IL}(ac)$.
- The value of $V_{IX}(ac)$ is expected to equal $0.5 \times V_{DDQ}$ of the transmitting device and $V_{IX}(ac)$ is expected to track variations in V_{DDQ} . $V_{IX}(ac)$ indicates the voltage at which differential input signals must cross.
- The value of $V_{OX}(ac)$ is expected to equal $0.5 \times V_{DDQ}$ of the transmitting device and $V_{OX}(ac)$ is expected to track variations in V_{DDQ} . $V_{OX}(ac)$ indicates the voltage at which differential input signals must cross.



8.4 Output Buffer Characteristics
Table 31 SSTL_18 Output DC Current Drive

Symbol	Parameter	SSTL_18	Unit	Note
I_{OH}	Output Minimum Source DC Current	-13.4	mA	1)2)
I_{OL}	Output Minimum Sink DC Current	13.4	mA	2)3)

1. $V_{DDQ} = 1.7\text{ V}$; $V_{OUT} = 1.42\text{ V}$. $(V_{OUT} - V_{DDQ}) / I_{OH}$ must be less than 21 Ohm for values of V_{OUT} between V_{DDQ} and $V_{DDQ} - 280\text{ mV}$.

2. The values of $I_{OH}(dc)$ and $I_{OL}(dc)$ are based on the conditions given in 1) and 3). They are used to test drive current capability to ensure $V_{IH,MIN.}$ plus a noise margin and $V_{IL,MAX}$ minus a noise margin are delivered to an SSTL_18 receiver. The actual current values are derived by shifting the desired driver operating points along 21 Ohm load line to define a convenient current for measurement.

3. $V_{DDQ} = 1.7\text{ V}$; $V_{OUT} = 280\text{ mV}$. V_{OUT} / I_{OL} must be less than 21 Ohm for values of V_{OUT} between 0 V and 280 mV.

Table 32 SSTL_18 Output AC Test Conditions

Symbol	Parameter	SSTL_18	Unit	Note
V_{OH}	Minimum Required Output Pull-up	$V_{TT} + 0.603$	V	1)
V_{OL}	Maximum Required Output Pull-down	$V_{TT} - 0.603$	V	1)
V_{OTR}	Output Timing Measurement Reference Level	$0.5 \times V_{DDQ}$	V	

1. SSTL_18 test load for V_{OH} and V_{OL} is different from the referenced load. The SSTL_18 test load has a 20 Ohm series resistor additionally to the 25 Ohm termination resistor into V_{TT} . The SSTL_18 definition assumes that $\pm 335\text{ mV}$ must be developed across the effectively 25 Ohm termination resistor ($13.4\text{ mA} \times 25\text{ Ohm} = 335\text{ mV}$). With an additional series resistor of 20 Ohm this translates into a minimum requirement of 603 mV swing relative to V_{TT} , at the output device ($13.4\text{ mA} \times 45\text{ Ohm} = 603\text{ mV}$).

Table 33 OCD Default Characteristics

Symbol	Description	Min.	Nominal	Max.	Unit	Note
—	Output Impedance	12.6	18	23.4	Ohms	1)2)
—	Pull-up / Pull down mismatch	0	—	4	Ohms	1)2)3)
—	Output Impedance step size for OCD calibration	0	—	1.5	Ohms	4)
SOUT	Output Slew Rate	1.5	—	5.0	V / ns	1)5)6)7)8)

1. Absolute Specifications (T_{OPER} ; $V_{DD} = 1.8\text{ V} \pm 0.1\text{ V}$; $V_{DDQ} = 1.8\text{ V} \pm 0.1\text{ V}$), altering OCD from default state no longer requires DRAM to meet timing, voltage and slew rate specifications on I/O's.

2. Impedance measurement condition for output source dc current: $V_{DDQ} = 1.7\text{ V}$, $V_{OUT} = 1420\text{ mV}$; $(V_{OUT} - V_{DDQ}) / I_{OH}$ must be less than 23.4 ohms for values of V_{OUT} between V_{DDQ} and $V_{DDQ} - 280\text{ mV}$. Impedance measurement condition for output sink dc current: $V_{DDQ} = 1.7\text{ V}$; $V_{OUT} = -280\text{ mV}$; V_{OUT} / I_{OL} must be less than 23.4 Ohms for values of V_{OUT} between 0 V and 280 mV.

3. Mismatch is absolute value between pull-up and pull-down, both measured at same temperature and voltage.

4. This represents the step size when the OCD is near 18 ohms at nominal conditions across all process parameters and represents only the DRAM uncertainty. A 0 Ohm value (no calibration) can only be achieved if the OCD impedance is $18 \pm 0.75\text{ Ohms}$ under nominal conditions.

5. Slew Rates according to $V_{IL}(ac)$ to $V_{IH}(ac)$ with the load.

6. The absolute value of the Slew Rate as measured from DC to DC is equal to or greater than the Slew Rate as measured from AC to AC. This is verified by design and characterization but not subject to production test.

7. Timing skew due to DRAM output Slew Rate mis-match between DQS / DQS and associated DQ's is included in t_{DQSQ} and t_{QHS} specification.

8. DRAM output Slew Rate specification applies to 400, 533 and 667 MHz speed bins.

8.5 Full Strength Output V-I Characteristics

DDR2 SDRAM output driver characteristics are defined for full strength default operation as selected by the EMRS(1) bits A[9:7] = '111'.

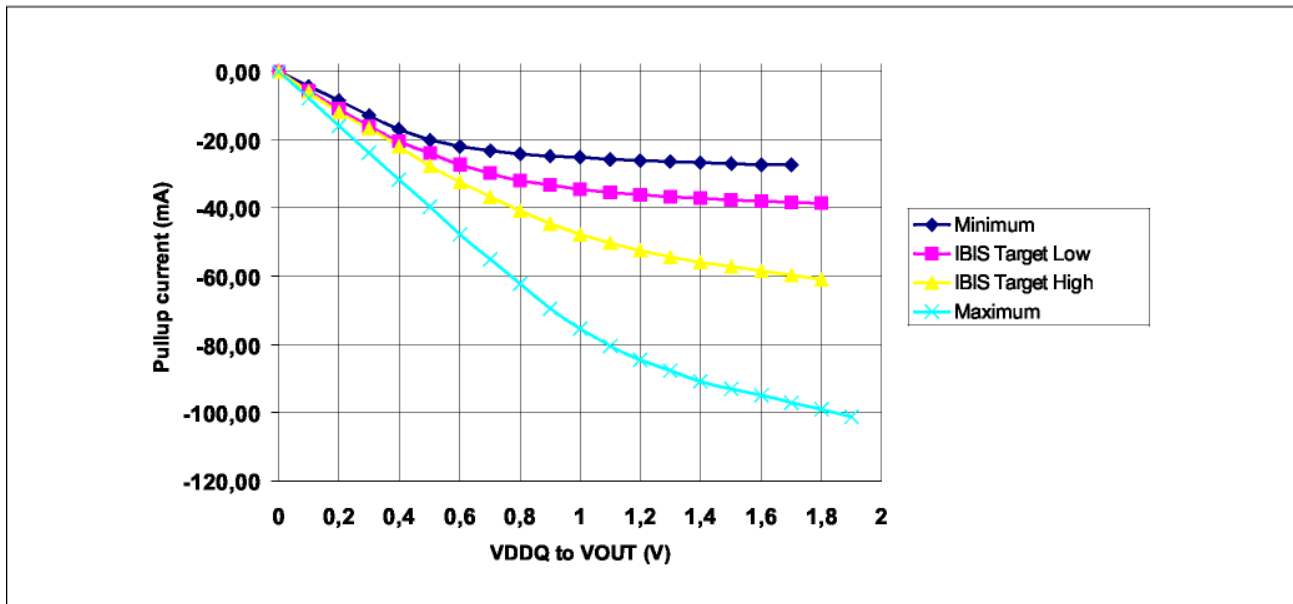
Table 34 Full Strength Default Pull-up Driver Characteristics

Voltage (V)	Pull-up Driver Current [mA]			
	Min. ¹⁾	IBIS Target low ²⁾	IBIS Target high ²⁾	Max. ³⁾
0.0	0.00	0.00	0.00	0.00
0.1	-4.30	-5.55	-5.90	-7.95
0.2	-8.6	-11.10	-11.8	-15.90
0.3	-12.9	-16.0	-17.0	-23.85
0.4	-16.9	-20.3	-22.2	-31.80
0.5	-20.05	-24.0	-27.5	-39.75
0.6	-22.10	-27.2	-32.4	-47.70
0.7	-23.27	-29.8	-36.9	-55.55
0.8	-24.10	-31.9	-40.8	-62.95
0.9	-24.73	-33.4	-44.5	-69.55
1.0	-25.23	-34.6	-47.7	-75.35
1.1	-25.65	-35.5	-50.4	-80.35
1.2	-26.02	-36.2	-52.5	-84.55
1.3	-26.35	-36.8	-54.2	-87.95
1.4	-26.65	-37.2	-55.9	-90.70
1.5	-26.93	-37.7	-57.1	-93.00
1.6	-27.20	-38.0	-58.4	-95.05
1.7	-27.46	-38.4	-59.6	-97.05
1.8	—	-38.6	-60.8	-99.05
1.9	—	—	—	-101.05

1. The driver characteristics evaluation conditions are Minimum 95 °C (T_{CASE}), $V_{DDQ} = 1.7$ V, slow–slow process

2. The driver characteristics evaluation conditions are Nominal Default 25 °C (T_{CASE}), $V_{DDQ} = 1.8$ V, typical process

3. The driver characteristics evaluation conditions are Maximum 0 °C (T_{CASE}), $V_{DDQ} = 1.9$ V, fast–fast process

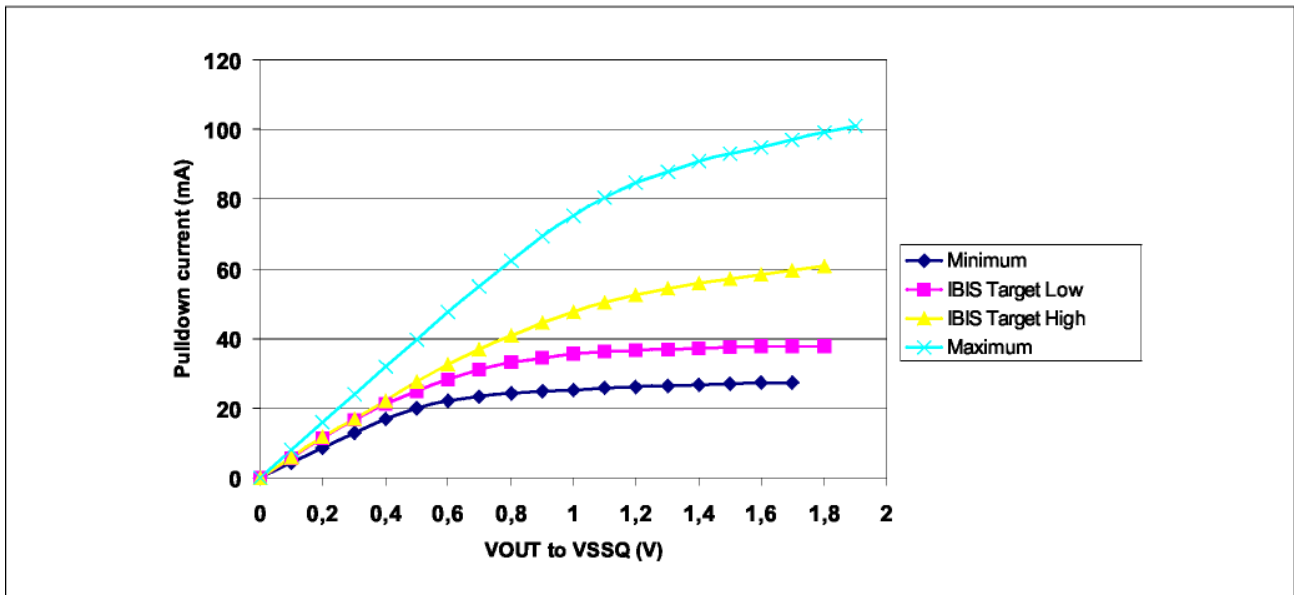

Table 35 Full Strength Default Pull-down Driver Characteristics

Voltage (V)	Pull-down Driver Current [mA]			
	Min. ¹⁾	Nominal Default low ²⁾	Nominal Default high ²⁾	Max. ³⁾
0.0	0.00	0.00	0.00	0.00
0.1	4.30	5.65	5.90	7.95
0.2	8.60	11.30	11.80	15.90
0.3	12.90	16.50	16.80	23.85
0.4	16.90	21.20	22.10	31.80
0.5	20.05	25.00	27.60	39.75
0.6	22.10	28.30	32.40	47.70
0.7	23.27	30.90	36.90	55.05
0.8	24.10	33.00	40.90	62.95
0.9	24.73	34.50	44.60	69.55
1.0	25.23	35.50	47.70	75.35
1.1	25.65	36.10	50.40	80.35
1.2	26.02	36.60	52.60	84.55
1.3	26.35	36.90	54.20	87.95
1.4	26.65	37.10	55.90	90.70
1.5	26.93	37.40	57.10	93.00
1.6	27.20	37.60	58.40	95.05
1.7	27.46	37.70	59.60	97.05
1.8	—	37.90	60.90	99.05
1.9	—	—	—	101.05

1. The driver characteristics evaluation conditions are Minimum 95 °C (T_{CASE}), $V_{DDQ} = 1.7$ V, slow-slow process

2. The driver characteristics evaluation conditions are Nominal Default 25 °C (T_{CASE}), $V_{DDQ} = 1.8$ V, typical process

3. The driver characteristics evaluation conditions are Maximum 0 °C (T_{CASE}). $V_{DDQ} = 1.9$ V, fast-fast process



8.5.1 Calibrated Output Driver V-I Characteristics

DDR2 SDRAM output driver characteristics are defined for full strength calibrated operation as selected by the procedure outlined in the Off-Chip Driver (OCD) Impedance Adjustment. The nominal points represent a device at exactly 18 ohms. The nominal low and nominal high values represent the range that can be achieved with a maximum 1.5 ohms step size with no calibration error at the exact nominal conditions only (i.e. perfect calibration procedure, 1.5 ohm maximum step size guaranteed by specification). Real system calibration error needs to be added to these values. It must be understood that these V-I curves are represented here or in supplier IBIS models need to be adjusted to a wider range as a result of any system calibration error. Since this is a system specific phenomena, it cannot be quantified here. The values in the calibrated tables represent just the DRAM portion of uncertainty while looking at one DQ only. If the calibration procedure is used, it is possible to cause the device to operate outside the bounds of the default device characteristics tables and figure. In such a situation, the timing parameters in the specification cannot be guaranteed. It is solely up to the system application to ensure that the device is calibrated between the minimum and maximum default values at all times. If this can't be guaranteed by the system calibration procedure, re-calibration policy and uncertainty with DQ to DQ variation, it is recommended that only the default values to be used. The nominal maximum and minimum values represent the change in impedance from nominal LOW and HIGH as a result of voltage and temperature change from the nominal condition to the maximum and minimum conditions. If calibrated at an extreme condition, the amount of variation could be as much as from the nominal minimum to the nominal maximum or vice versa.

Table 36 Full Strength Calibrated Pull-down Driver Characteristics

Voltage (V)	Calibrated Pull-down Driver Current [mA]				
	Nominal Minimum ¹⁾ (21 Ohms)	Nominal Low ²⁾ (18.75 Ohms)	Nominal ³⁾ (18 ohms)	Nominal High ²⁾ (17.25 Ohms)	Nominal Maximum ⁴⁾ (15 Ohms)
0.2	9.5	10.7	11.5	11.8	13.3
0.3	14.3	16.0	16.6	17.4	20.0
0.4	18.7	21.0	21.6	23.0	27.0

1. The driver characteristics evaluation conditions are Nominal Minimum 95 °C (T_{CASE}). V_{DDQ} = 1.7 V, any process
2. The driver characteristics evaluation conditions are Nominal Low and Nominal High 25 °C (T_{CASE}), V_{DDQ} = 1.8V, any process
3. The driver characteristics evaluation conditions are Nominal 25 °C (T_{CASE}), V_{DDQ} = 1.8 V, typical process
4. The driver characteristics evaluation conditions are Nominal Maximum 0 °C (T_{CASE}), V_{DDQ} = 1.9 V, any process

Table 37 Full Strength Calibrated Pull-up Driver Characteristics

Voltage (V)	Calibrated Pull-up Driver Current [mA]				
	Nominal Minimum ¹⁾ (21 Ohms)	Nominal Low ²⁾ (18.75 Ohms)	Nominal ³⁾ (18 ohms)	Nominal High ²⁾ (17.25 Ohms)	Nominal Maximum ⁴⁾ (15 Ohms)
0.2	-9.5	-10.7	-11.4	-11.8	-13.3
0.3	-14.3	-16.0	-16.5	-17.4	-20.0
0.4	-18.3	-21.0	-21.2	-23.0	-27.0

1. The driver characteristics evaluation conditions are Nominal Minimum 95 °C (T_{CASE}). V_{DDQ} = 1.7 V, any process
2. The driver characteristics evaluation conditions are Nominal Low and Nominal High 25 °C (T_{CASE}), V_{DDQ} = 1.8V, any process
3. The driver characteristics evaluation conditions are Nominal 25 °C (T_{CASE}), V_{DDQ} = 1.8 V, typical process
4. The driver characteristics evaluation conditions are Nominal Maximum 0 °C (T_{CASE}), V_{DDQ} = 1.9 V, any process

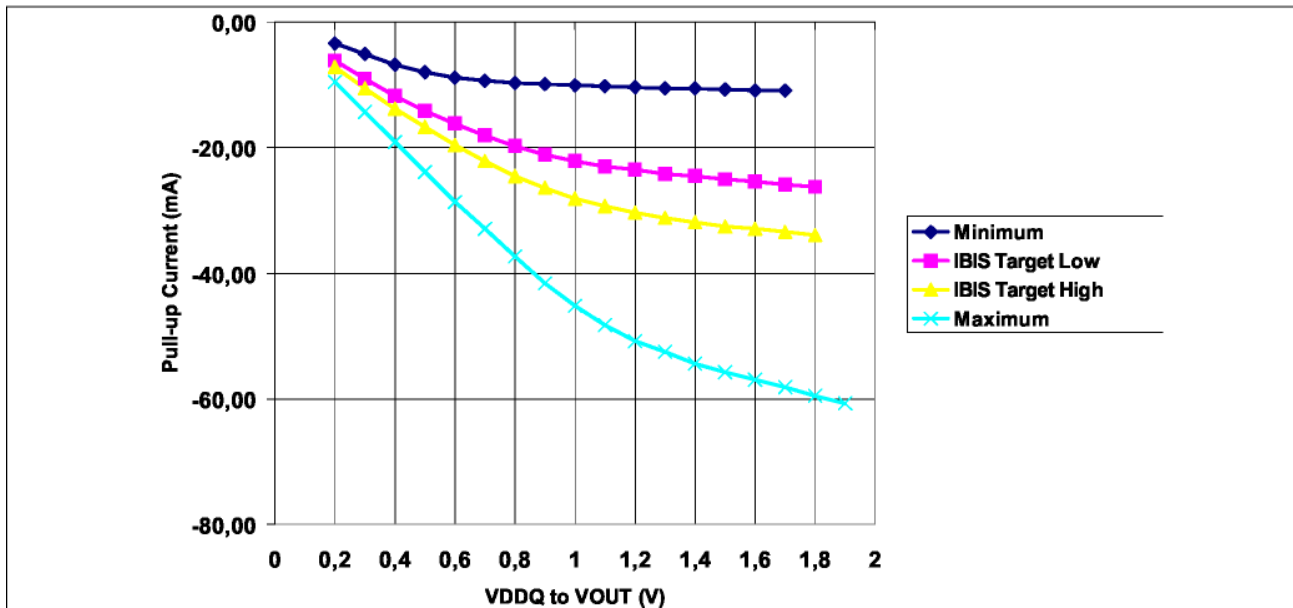
8.6 Reduced Output Drive Characteristics

A driver mode with reduced output drive characteristics can be selected by setting address bit A1 in the EMRS(1) extended mode register to 1.

Table 38 Reduced Strength Default Pull-up Driver Characteristics

Voltage (V)	Pull-up Driver Current [mA]			
	Min. ¹⁾	IBIS Target low ²⁾	IBIS Target high ²⁾	Max. ³⁾
0.0	0.00	0.00	0.00	0.00
0.1	-1.72	-3.20	-3.70	-4.77
0.2	-3.44	-6.20	-7.22	-9.54
0.3	-5.16	-9.04	-10.56	-14.31
0.4	-6.76	-11.69	-13.75	-19.08
0.5	-8.02	-14.11	-16.78	-23.85
0.6	-8.84	-16.27	-19.61	-28.62
0.7	-9.31	-18.16	-22.20	-33.33
0.8	-9.64	-19.77	-24.50	-37.77
0.9	-9.89	-21.10	-26.46	-41.73
1.0	-10.09	-22.15	-28.07	-45.21
1.1	-10.26	-22.96	-29.36	-48.21
1.2	-10.41	-23.61	-30.40	-50.73
1.3	-10.54	-24.61	-31.24	-52.77
1.4	-10.66	-24.64	-31.93	-54.42
1.5	-10.77	-25.07	-32.51	-55.80
1.6	-10.88	-25.47	-33.01	-57.03
1.7	-10.98	-25.85	-33.46	-58.23
1.8	—	-26.21	-33.89	-59.43
1.9	—	—	—	-60.63

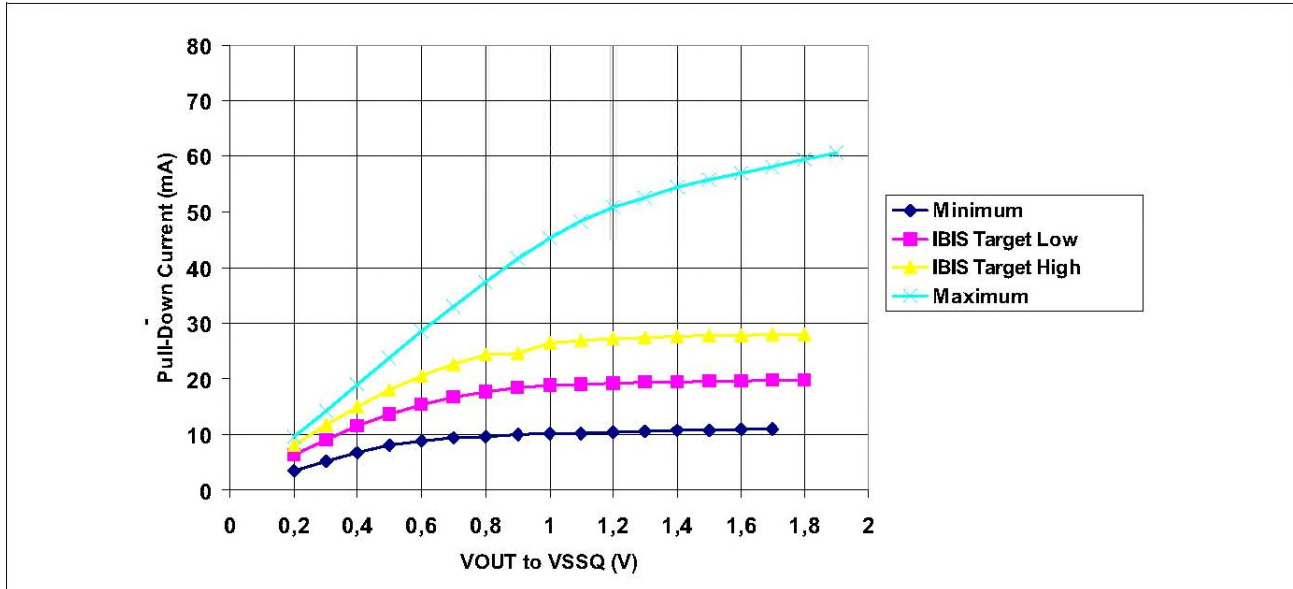
1. The driver characteristics evaluation conditions are Minimum 95 °C (T_{CASE}), $V_{DDQ} = 1.7$ V, slow–slow process
2. The driver characteristics evaluation conditions are Nominal Default 25 °C (T_{CASE}), $V_{DDQ} = 1.8$ V, typical process
3. The driver characteristics evaluation conditions are Maximum 0 °C (T_{CASE}), $V_{DDQ} = 1.9$ V, fast–fast process


Table 39 Reduced Strength Default Pull-down Driver Characteristics

Voltage (V)	Pull-down Driver Current [mA]			
	Min. ¹⁾	IBIS Target low ²⁾	IBIS Target high ²⁾	Max. ³⁾
0.0	0.00	0.00	0.00	0.00
0.1	1.72	3.24	4.11	4.77
0.2	3.44	6.25	8.01	9.54
0.3	5.16	9.03	11.67	14.31
0.4	6.76	11.52	15.03	19.08
0.5	8.02	13.66	18.03	23.85
0.6	8.84	15.41	20.61	28.62
0.7	9.31	16.77	22.71	33.33
0.8	9.64	17.74	24.35	37.77
0.9	9.89	18.83	25.56	41.73
1.0	10.09	18.80	26.38	45.21
1.1	10.26	19.06	26.90	48.21
1.2	10.41	19.23	27.24	50.73
1.3	10.54	19.35	27.47	52.77
1.4	10.66	19.46	27.64	54.42
1.5	10.77	19.56	27.78	55.80
1.6	10.88	19.65	27.89	57.03
1.7	10.98	19.73	27.97	58.23
1.8	—	19.80	28.02	59.43
1.9	—	—	—	60.63

1. The driver characteristics evaluation conditions are Minimum 95 °C (T_{CASE}), V_{DDQ} = 1.7 V, slow-slow process

2. The driver characteristics evaluation conditions are Nominal Default 25 °C (T_{CASE}), $V_{DDQ} = 1.8$ V, typical process
3. The driver characteristics evaluation conditions are Maximum 0 °C (T_{CASE}). $V_{DDQ} = 1.9$ V, fast-fast process



8.7 Input / Output Capacitance

Table 40 Input / Output Capacitance

Symbol	Parameter	DDR2-400 & DDR-2-533		DDR2-667		Unit
		Min.	Max.	Min.	Max.	
CCK	Input capacitance, CK and CK	1.0	2.0	1.0	2.0	pF
CDCK	Input capacitance delta, CK and CK	—	0.25	—	0.25	pF
CI	Input capacitance, all other input-only pins	1.0	2.0	1.0	2.0	pF
CDI	Input capacitance delta, all other input-only pins	—	0.25	—	0.25	pF
CIO	Input/output capacitance, DQ, DM, DQS, DQS, RDQS, RDQS	2.5	4.0	2.5	3.5	pF
CDIO	Input/output capacitance delta, DQ, DM, DQS, DQS, RDQS, RDQS	—	0.5	—	0.5	pF

8.8 Power & Ground Clamp V-I Characteristics

Power and Ground clamps are provided on address (A[13:0], BA[11:0]), RAS, CAS, CS, WE, and ODT pins. The V-I characteristics for pins with clamps is shown in **Table 41**.

Table 41 Power & Ground Clamp V-I Characteristics

Voltage across clamp (V)	Minimum Power Clamp Current (mA)	Minimum Ground Clamp Current (mA)
0.0	0	0
0.1	0	0
0.2	0	0
0.3	0	0
0.4	0	0
0.5	0	0
0.6	0	0
0.7	0	0
0.8	0.1	0.1
0.9	1.0	1.0
1.0	2.5	2.5
1.1	4.7	4.7
1.2	6.8	6.8
1.3	9.1	9.1
1.4	11.0	11.0
1.5	13.5	13.5
1.6	16.0	16.0
1.7	18.2	18.2
1.8	21.0	21.0

8.9 Overshoot and Undershoot Specification

Table 42 AC Overshoot / Undershoot Specification for Address and Control Pins

Parameter	DDR2-400	DDR2-533	DD2-667	Unit
Maximum peak amplitude allowed for overshoot area	0.9	0.9	0.9	V
Maximum peak amplitude allowed for undershoot area	0.9	0.9	0.9	V
Maximum overshoot area above V_{DD}	1.33	1.00	0.80	V.ns
Maximum undershoot area below V_{SS}	1.33	1.00	0.80	V.ns

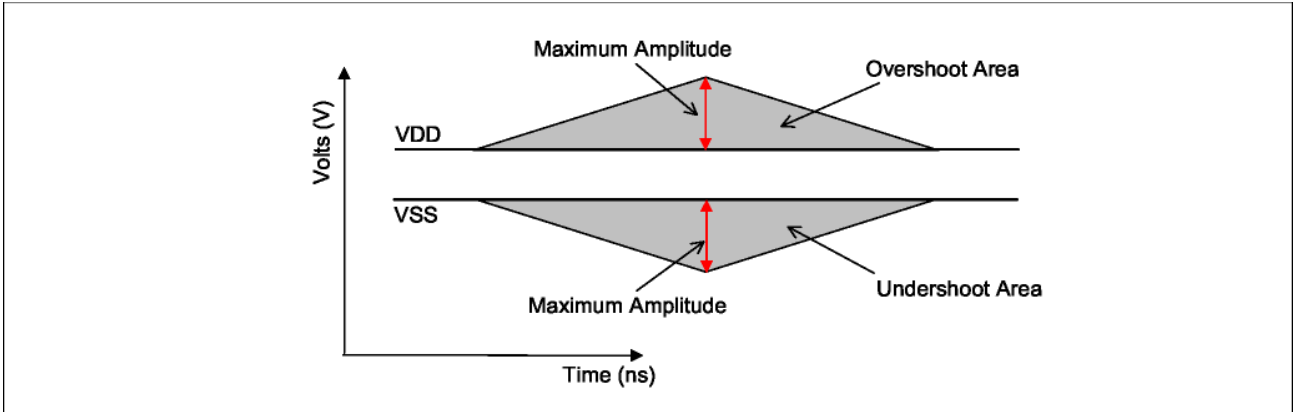
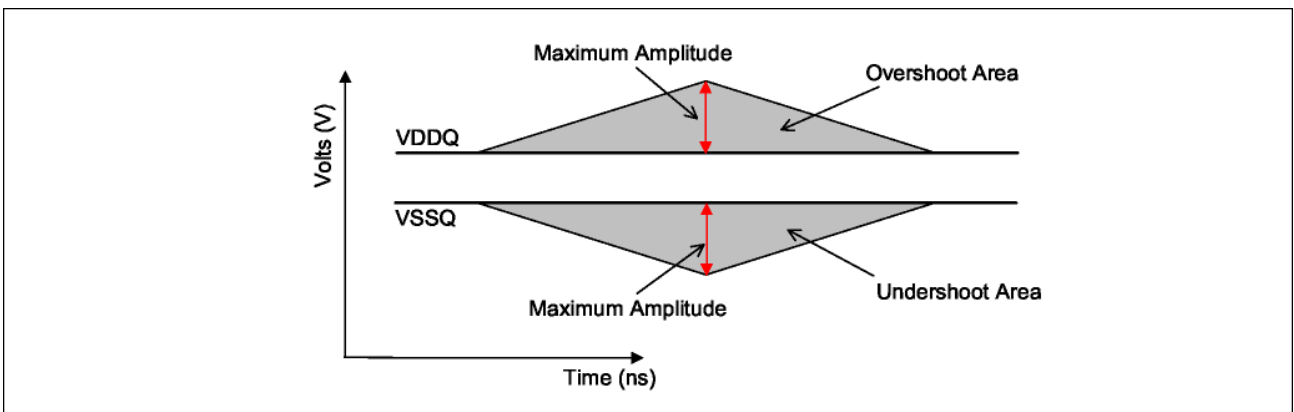


Table 43 AC Overshoot / Undershoot Specification for Clock, Data, Strobe and Mask Pins

Parameter	DDR2-400	DDR2-533	DD2-667	Unit
Maximum peak amplitude allowed for overshoot area	0.9	0.9	0.9	V
Maximum peak amplitude allowed for undershoot area	0.9	0.9	0.9	V
Maximum overshoot area above V_{DDQ}	0.38	0.28	0.23	V.ns
Maximum undershoot area below V_{SSQ}	0.38	0.28	0.23	V.ns



9. Currents Measurement Specifications and Conditions
Table 44 I_{DD} Measurement Conditions

Parameter	Symbol	Note
Operating Current - One bank Active - Precharge $t_{CK} = t_{CK(IDD)}$, $t_{RC} = t_{RC(IDD)}$, $t_{RAS} = t_{RAS.MIN(IDD)}$, CKE is HIGH, CS is HIGH between valid commands. Address and control inputs are switching; Databus inputs are switching.	DD0	1)2)3)4)5)6)
Operating Current - One bank Active - Read - Precharge $I_{OUT} = 0$ mA, BL = 4, $t_{CK} = t_{CK(IDD)}$, $t_{RC} = t_{RC(IDD)}$, $t_{RAS} = t_{RAS.MIN(IDD)}$, $t_{RCD} = t_{RCD(IDD)}$, AL = 0, CL = CL(IDD); CKE is HIGH, CS is HIGH between valid commands. Address and control inputs are switching; Databus inputs are switching.	DD1	1)2)3)4)5)6)
Precharge Power-Down Current All banks idle; CKE is LOW; $t_{CK} = t_{CK(IDD)}$; Other control and address inputs are stable; Data bus inputs are floating.	DD2P	1)2)3)4)5)6)
Precharge Standby Current All banks idle; CS is HIGH; CKE is HIGH; $t_{CK} = t_{CK(IDD)}$; Other control and address inputs are switching, Data bus inputs are switching.	DD2N	1)2)3)4)5)6)
Precharge Quiet Standby Current All banks idle; CS is HIGH; CKE is HIGH; $t_{CK} = t_{CK(IDD)}$; Other control and address inputs are stable, Data bus inputs are floating.	DD2Q	1)2)3)4)5)6)
Active Power-Down Current All banks open; $t_{CK} = t_{CK(IDD)}$, CKE is LOW; Other control and address inputs are stable; Data bus inputs are floating. MRS A12 bit is set to "0" (Fast Power-down Exit).	DD3P(0)	1)2)3)4)5)6)
Active Power-Down Current All banks open; $t_{CK} = t_{CK(IDD)}$, CKE is LOW; Other control and address inputs are stable, Data bus inputs are floating. MRS A12 bit is set to 1 (Slow Power-down Exit);	DD3P(1)	1)2)3)4)5)6)
Active Standby Current All banks open; $t_{CK} = t_{CK(IDD)}$; $t_{RAS} = t_{RAS.MAX(IDD)}$, $t_{RP} = t_{RP(IDD)}$; CKE is HIGH, CS is HIGH between valid commands. Address inputs are switching; Data Bus inputs are switching;	DD3N	1)2)3)4)5)6)
Operating Current Burst Read: All banks open; Continuous burst reads; BL = 4; AL = 0, CL = CL(IDD); $t_{CK} = t_{CK(IDD)}$; $t_{RAS} = t_{RAS.MAX(IDD)}$, $t_{RP} = t_{RP(IDD)}$; CKE is HIGH, CS is HIGH between valid commands. Address inputs are switching; Data Bus inputs are switching; $I_{OUT} = 0$ mA.	DD4R	1)2)3)4)5)6)
Operating Current Burst Write: All banks open; Continuous burst writes; BL = 4; AL = 0, CL = CL(IDD); $t_{CK} = t_{CK(IDD)}$; $t_{RAS} = t_{RAS.MAX(IDD)}$, $t_{RP} = t_{RP(IDD)}$; CKE is HIGH, CS is HIGH between valid commands. Address inputs are switching; Data Bus inputs are switching;	DD4W	1)2)3)4)5)6)
Burst Refresh Current $t_{CK} = t_{CK(IDD)}$, Refresh command every $t_{RFC} = t_{RFC(IDD)}$ interval, CKE is HIGH, CS is HIGH between valid commands, Other control and address inputs are switching, Data bus inputs are switching.	DD5B	1)2)3)4)5)6)

Distributed Refresh Current $t_{CK} = t_{CK(DD)}$, Refresh command every $t_{REFI} = 7.8 \mu s$ interval, CKE is LOW and CS is HIGH between valid commands, Other control and address inputs are switching, Data bus inputs are switching.	I_{DD5D}	1)2)3)4)5)6)
--	------------	--------------

Parameter	Symbol	Note
Self-Refresh Current CKE ~ 0.2 V; external clock off, CK and CK at 0 V; Other control and address inputs are floating, Data bus inputs are floating.	I_{DD6}	1)2)3)4)5)6)
1. Operating Bank Interleave Read Current All banks interleaving reads, $I_{OUT} = 0 \text{ mA}$; BL = 4, CL = $CL_{(DD)}$, AL = $t_{RCD(DD)} - 1 \times t_{CK(DD)}$; $t_{CK} = t_{CK(DD)}$, $t_{RC} = t_{RC(DD)}$, $t_{RRD} = t_{RRD(DD)}$; CKE is HIGH, CS is HIGH between valid commands. Address bus inputs are stable during deselects; Data bus is switching. 2. Timing pattern: DDR2-400-333: A0 RA0 A1 RA1 A2 RA2 A3 RA3 D D D (11 clocks) DDR2-533-333: A0 RA0 D A1 RA1 D A2 RA2 D A3 RA3 D D D D (15 clocks) DDR2-533-444: A0 RA0 D A1 RA1 D A2 RA2 D A3 RA3 D D D D D (16 clocks) DDR2-667-444: A0 RA0 D D A1 RA1 D D A2 RA2 D D A3 RA3 D D D D D (19 clocks) DDR2-667-555: A0 RA0 D D A1 RA1 D D A2 RA2 D D A3 RA3 D D D D D D (20 clocks)	I_{DD7}	1)2)3)4)5)6)7)

1. $V_{DDQ} = 1.8V \pm 0.1 \text{ V}$; $V_{DD} = 1.8V \pm 0.1 \text{ V}$

2. I_{DD} specifications are tested after the device is properly initialized.

3. I_{DD} parameter are specified with ODT disabled.

4. Data Bus consists of DQ, DM, DQS, !DQS, RDQS, !RDQS, LDQS, !LDQS, UDQS and !UDQS.

5. Definitions for I_{DD} : see Table 45

6. Timing parameter minimum and maximum values for I_{DD} current measurements.

7. A = Activate, RA = Read with Auto-Precharge, D=DESELECT

Table 45 Definition for I_{DD}

Parameter	Description
LOW	defined as $V_{IN} \sim V_{IL(ac),MAX}$
HIGH	defined as $V_{IN} \sim V_{IH(ac),MIN}$
STABLE	defined as inputs are stable at a HIGH or LOW level
FLOATING	defined as inputs are $V_{REF} = V_{DDQ} / 2$
SWITCHING	defined as: Inputs are changing between high and low every other clock (once per two clocks) for address and control signals, and inputs changing between high and low every other clock (once per clock) for DQ signals not including mask or strobes

Table 46 I_{DD} Specification for DDR2-667D

Product Type Speed Code	-3S	Unit	Note
Speed Grade	DDR2-667D		
Symbol	Max.		
I _{DD0}	71	mA	x4/x8
	90		x16
I _{DD1}	85	mA	x4/x8
	104		x16
I _{DD2N}	50	mA	
I _{DD2P}	5	mA	
I _{DD2Q}	40	mA	
I _{DD3N}	50	mA	
I _{DD3P}	19	mA	1)x4/x8
	6		2)x16
I _{DD4R}	130	mA	x4/x8
	150		x16
I _{DD4W}	140	mA	x4/x8
	170		x16
I _{DD5B}	140	mA	3)
I _{DD5D}	6	mA	3)
I _{DD6}	5	mA	3)4)
I _{DD7}	147	mA	x4/x8
	228		x16

1. MRS(12)=0
2. MRS(12)=1
3. 0 ~ T_{CASE} ~ 85 °C
4. standard products

Table 47 I_{DD} Specification for DDR2–533C and DDR2–400B

Product Type Speed Code	–3.7	–5	Unit	Note
Speed Grade	DDR2–533C	DDR2–400B		
Symbol	Max.	Max.		
I _{DD0}	65	55	mA	x4/x8
	80	70	mA	x16
I _{DD1}	75	60	mA	x4/x8
	90	75	mA	x16
I _{DD2N}	40	32	mA	
I _{DD2P}	4,5	4,5	mA	
I _{DD2Q}	30	25	mA	
I _{DD3N}	40	35	mA	
I _{DD3P}	16	13	mA	1)x4/x8
	5	5	mA	2)x16
I _{DD4R}	90	70	mA	x4/x8
	115	85	mA	x16
I _{DD4W}	95	80	mA	x4/x8
	130	110	mA	x16
I _{DD5B}	130	120	mA	3)
I _{DD5D}	6	6	mA	3)
I _{DD6}	4,5	4,5	mA	3)4)
I _{DD7}	145	140	mA	x4/x8
	220	210	mA	x16

1. MRS(12)=0
2. MRS(12)=1
3. 0 ~ T_{CASE} ~ 85 °C
4. standard products

9.1 I_{DD} Test Conditions

For testing the I_{DD} parameters, the following timing parameters are used:

Table 48 I_{DD} Measurement Test Conditions for DDR2-667D

Parameter	Symbol	-3S	Unit	Note
		DDR2-667D 5-5-5		
CAS Latency	CL _(IDD)	5	t _{CK}	
Clock Cycle Time	t _{CK(IDD)}	3	ns	
Active to Read or Write delay	t _{RCD(IDD)}	15	ns	
Active to Active / Auto-Refresh command period	t _{RC(IDD)}	60	ns	
Active bank A to Active bank B command delay	t _{RRD(IDD)}	7.5	ns	1)
	t _{RRD(IDD)}	10	ns	2)
Active to Precharge Command	t _{RAS.MIN(IDD)}	45	ns	
	t _{RAS.MAX(IDD)}	70000	ns	
Precharge Command Period	t _{RP(IDD)}	15	ns	
Auto-Refresh to Active / Auto-Refresh command period	t _{RFC(IDD)}	75	ns	
Auto-Refresh to Active / Auto-Refresh command period	t _{RFC(IDD)}	105	ns	
Average periodic Refresh interval	t _{REFI}	7.8	μs	

1. x4 & x8 (1 kB page size)

2. x16 (2 kB page size); not on 256M component

Table 49 I_{DD} Measurement Test Condition for DDR2–533C and DDR2–400B

Parameter	Symbol	-3.7	-5	Unit	Note
		DDR2–533C 4–4–4	DDR2–400B 3–3–3		
CAS Latency	CL _(IDD)	4	3	t _{CK}	
Clock Cycle Time	t _{CK(IDD)}	3.75	5	ns	
Active to Read or Write delay	t _{RCD(IDD)}	15	15	ns	
Active to Active / Auto-Refresh command period	t _{RC(IDD)}	60	55	ns	
Active bank A to Active bank B command delay	t _{RRD(IDD)}	7.5	7.5	ns	1)
		10	10	ns	2)
Active to Precharge Command	t _{RAS.MIN(IDD)}	45	40	ns	
	t _{RAS.MAX(IDD)}	70000	70000	ns	
Precharge Command Period	t _{RP(IDD)}	15	15	ns	
Auto-Refresh to Active / Auto-Refresh command period	t _{RFC(IDD)}	105	105	ns	
Average periodic Refresh interval	t _{REFI}	7.8	7.8	μs	

1. x4 & x8 (1 kB page size)

2. x16 (2 kB page size); not on 256M component

On Die Termination (ODT) Current

The ODT function adds additional current consumption to the DDR2 SDRAM when enabled by the EMRS(1). Depending on address bits A6 & A2 in the EMRS(1) a full or reduced termination can be selected. The current consumption for any terminated input pin depends on whether the input pin is in tri-state or driving “0” or “1”; as long a ODT is enabled during a given period of time..

Table 50 ODT current per terminated input pin

ODT Current		EMRS(1) State	Min.	Typ.	Max.	Unit
Enabled ODT current per DQadded I _{DDQ} current for ODT enabled; ODT is HIGH; Data Bus inputs are floating	I _{ODTO}	A6 = 0, A2 = 1	5	6	7.5	mA/DQ
		A6 = 1, A2 = 0	2.5	3	3.75	mA/DQ
		A6 = 1, A2 = 1	7.5	9	11.25	mA/DQ
Active ODT current per DQadded I _{DDQ} current for ODT enabled; ODT is HIGH; worst case of Data Bus inputs are stable or switching.	I _{ODTT}	A6 = 0, A2 = 1	10	12	15	mA/DQ
		A6 = 1, A2 = 0	5	6	7.5	mA/DQ
		A6 = 1, A2 = 0	15	18	22.5	mA/DQ

Note: For power consumption calculations the ODT duty cycle has to be taken into account

10. Electrical Characteristics
10.1 Speed Grade Definitions
Table 51 Speed Grade Definition Speed Bins for DDR2–667

Speed Grade			DDR2–667D		Unit	Note
IFX Sort Name			–3S			
CAS-RCD-RP latencies			5–5–5		t_{CK}	
Parameter		Symbol	Min.	Max.	—	
Clock Frequency	@ CL = 3	t_{CK}	5	8	ns	1)2)3)4)
	@ CL = 4	t_{CK}	3.75	8	ns	1)2)3)4)
	@ CL = 5	t_{CK}	3	8	ns	1)2)3)4)
Row Active Time		t_{RAS}	45	70000	ns	1)2)3)4)5)
Row Cycle Time		t_{RC}	60	—	ns	1)2)3)4)
RAS-CAS-Delay		t_{RCD}	15	—	ns	1)2)3)4)
Row Precharge Time		t_{RP}	15	—	ns	1)2)3)4)

1. Timings are guaranteed with CK/CK differential Slew Rate of 2.0 V/ns. For DQS signals timings are guaranteed with a differential Slew Rate of 2.0 V/ns in differential strobe mode and a Slew Rate of 1 V/ns in single ended mode. Timings are further guaranteed for normal OCD drive strength (EMRS(1) A1 = 0) under the “Reference Load for Timing Measurements” .
2. The CK/CK input reference level (for timing reference to CK/CK) is the point at which CK and CK cross. The DQS/DQS, RDQS/RDQS, input reference level is the crosspoint when in differential strobe mode; The input reference level for signals other than CK/CK, DQS/DQS, RDQS/RDQS.
3. Inputs are not recognized as valid until V_{REF} stabilizes. During the period before V_{REF} stabilizes, $CKE = 0.2 \times V_{DDQ}$ is recognized as low.
4. The output timing reference voltage level is V_{TT} . For the reference load for timing measurements.
5. $t_{RAS,MAX}$ is calculated from the maximum amount of time a DDR2 device can operate without a refresh command which is equal to $9 \times t_{REFI}$.

Table 52 Speed Grade Definition Speed Bins for DDR2–533 and DDR2–400

Speed Grade			DDR2–533C		DDR2–400B		Unit	Note
IFX Sort Name			–3.7		–5			
CAS-RCD-RP latencies			4–4–4		3–3–3		t_{CK}	
Parameter		Symbol	Min.	Max.	Min.	Max.	—	
Clock Frequency	@ CL = 3	t_{CK}	5	8	5	8	ns	1)2)3)4)
	@ CL = 4	t_{CK}	3.75	8	5	8	ns	1)2)3)4)
	@ CL = 5	t_{CK}	3.75	8	5	8	ns	1)2)3)4)
Row Active Time		t_{RAS}	45	70000	40	70000	ns	1)2)3)4)5)
Row Cycle Time		t_{RC}	60	—	55	—	ns	1)2)3)4)
RAS-CAS-Delay		t_{RCD}	15	—	15	—	ns	1)2)3)4)
Row Precharge Time		t_{RP}	15	—	15	—	ns	1)2)3)4)

1. Timings are guaranteed with CK/CK differential Slew Rate of 2.0 V/ns. For DQS signals timings are guaranteed with a differential Slew Rate of 2.0 V/ns in differential strobe mode and a Slew Rate of 1 V/ns in single ended mode. Timings are further guaranteed for normal OCD drive strength (EMRS(1) A1 = 0) under the

“Reference Load for Timing Measurements”.

2. The CK/CK input reference level (for timing reference to CK/CK) is the point at which CK and CK cross. The DQS/DQS, RDQS/RDQS, input reference level is the crosspoint when in differential strobe mode; The input reference level for signals other than CK/CK, DQS/DQS, RDQS/RDQS.
3. Inputs are not recognized as valid until V_{REF} stabilizes. During the period before V_{REF} stabilizes, $CKE = 0.2 \times V_{DDQ}$ is recognized as low.
4. The output timing reference voltage level is V_{TT} . For the reference load for timing measurements.
5. $t_{RAS,MAX}$ is calculated from the maximum amount of time a DDR2 device can operate without a refresh command which is equal to $9 \times t_{REFI}$.

10.2 AC Timing Parameters

Table 53 Timing Parameter by Speed Grade - DDR2-667

Parameter	Symbol	DDR2-667		Unit	Note 1)2)3)4)5)6)
		Min.	Max.		
DQ output access time from CK / CK	t_{AC}	-450	+450	ps	
CAS A to CAS B command period	t_{CCD}	2	—	t_{CK}	
CK, CK high-level width	t_{CH}	0.45	0.55	t_{CK}	
CKE minimum high and low pulse width	t_{CKE}	3	—	t_{CK}	
CK, CK low-level width	t_{CL}	0.45	0.55	t_{CK}	
Auto-Precharge write recovery + precharge time	t_{DAL}	$WR + t_{RP}$	—	t_{CK}	7)
Minimum time clocks remain ON after CKE asynchronously drops LOW	t_{DELAY}	$t_{IS} + t_{CK} + t_{IH}$	—	ns	8)
DQ and DM input hold time (differential data strobe)	$t_{DH(base)}$	175	—	ps	9)
DQ and DM input pulse width (each input)	t_{DIPW}	0.35	—	t_{CK}	
DQS output access time from CK / CK	t_{DQSQ}	-400	+400	ps	
DQS input low (high) pulse width (write cycle)	$t_{DQSL,H}$	0.35	—	t_{CK}	
DQS-DQ skew (for DQS & associated DQ signals)	t_{DQSQ}	240	—	ps	10)
Write command to 1st DQS latching transition	t_{DQSS}	- 0.25	+ 0.25	t_{CK}	
DQ and DM input setup time (differential data strobe)	$t_{DS(base)}$	100	—	ps	9)
DQS falling edge hold time from CK (write cycle)	t_{DSH}	0.2	—	t_{CK}	
DQS falling edge to CK setup time (write cycle)	t_{DSS}	0.2	—	t_{CK}	
Clock half period	t_{HP}	MIN. (t_{CL}, t_{CH})			11)
Data-out high-impedance time from CK / CK	t_{HZ}	—	$t_{AC,MAX}$	ps	12)
Address and control input hold time	$t_{IH(base)}$	275	—	ps	9)
Address and control input pulse width (each input)	t_{IPW}	0.6	—	t_{CK}	
Address and control input setup time	$t_{IS(base)}$	200	—	ps	9)
DQ low-impedance time from CK / CK	$t_{LZ(DQ)}$	$2 \times t_{AC,MIN}$	$t_{AC,MAX}$	ps	12)
DQS low-impedance from CK / CK	$t_{LZ(DQS)}$	$t_{AC,MIN}$	$t_{AC,MAX}$	ps	12)
Mode register set command cycle time	t_{MRD}	2	—	t_{CK}	
OCD drive mode output delay	t_{OIT}	0	12	ns	

Parameter	Symbol	DDR2-667		Unit	Note 1)2)3)4)5)6)
		Min.	Max.		
Data output hold time from DQS	t _{QH}	t _{HP} - t _{QHS}	—		
Data hold skew factor	t _{QHS}	340	—	ps	
Average periodic refresh Interval	t _{REFI}	—	7.8	μs	13)14)
		—	3.9	μs	13)15)
Auto-Refresh to Active/Auto-Refresh command period	t _{RFC}	105	—	ns	1)
Read preamble	t _{RPRE}	0.9	1.1	t _{CK}	12)
Read postamble	t _{RPST}	0.40	0.60	t _{CK}	12)
Active bank A to Active bank B command period	t _{RRD}	7.5	—	ns	16)17)
		10	—	ns	17)18)
Internal Read to Precharge command delay	t _{RTP}	7.5	—	ns	
Write preamble	t _{WPRE}	0.35	—	t _{CK}	
Write postamble	t _{WPST}	0.40	0.60	t _{CK}	19)
Write recovery time for write without Auto-Precharge	t _{WR}	15	—	ns	
Write recovery time for write with Auto-Precharge	WR	t _{WR} /t _{CK}	—	t _{CK}	
Internal Write to Read command delay	t _{WTR}	7.5	—	ns	20)
Exit power down to any valid command (other than NOP or Deselect)	t _{XARD}	2	—	t _{CK}	21)
Exit active power-down mode to Read command (slow exit, lower power)	t _{XARDS}	7 - AL	—	t _{CK}	21)
Exit precharge power-down to any valid command (other than NOP or Deselect)	t _{XP}	2	—	t _{CK}	
Exit Self-Refresh to non-Read command	t _{XSNR}	t _{RFC} + 10	—	ns	
Exit Self-Refresh to Read command	t _{XSRD}	200	—	t _{CK}	

1. V_{DDQ} = 1.8V ± 0.1 V; V_{DD} = 1.8V ± 0.1 V.

- Timing that is not specified is illegal and after such an event, in order to guarantee proper operation, the DRAM must be powered down and then restarted through the specified initialization sequence before normal operation can continue.
- Timings are guaranteed with CK/CK differential Slew Rate of 2.0 V/ns. For DQS signals timings are guaranteed with a differential Slew Rate of 2.0 V/ns in differential strobe mode and a Slew Rate of 1 V/ns in single ended mode. Timings are further guaranteed for normal OCD drive strength (EMRS(1) A1= 0) under the Reference Load for Timing Measurements.
- The CK/CK input reference level (for timing reference to CK/CK) is the point at which CK and CK cross. The DQS/DQS, RDQS/RDQS, input reference level is the crosspoint when in differential strobe mode; The input reference level for signals other than CK/CK, DQS/DQS, RDQS/RDQS.
- Inputs are not recognized as valid until V_{REF} stabilizes. During the period before V_{REF} stabilizes, CKE = 0.2 x V_{DDQ} is recognized as low.
- The output timing reference voltage level is V_{TT}. For the reference load for timing measurements.
- For each of the terms, if not already an integer, round to the next highest integer. t_{CK} refers to the application clock period. WR refers to the WR parameter stored in the MR.
- The clock frequency is allowed to change during self-refresh mode or precharge power-down mode. In case of clock frequency change during power-down.

9. For Slew Rate and Slew Rate derating timing definition.
10. Consists of data pin skew and output pattern effects, and p-channel to n-channel variation of the output drivers as well as output Slew Rate mis-match between DQS/DQS and associated DQ in any given cycle.
11. MIN (t_{CL} , t_{CH}) refers to the smaller of the actual clock low time and the actual clock high time as provided to the device (i.e. this value can be greater than the minimum specification limits for t_{CL} and t_{CH}).
12. The t_{HZ} , t_{RPST} and t_{LZ} , t_{RPRE} parameters are referenced to a specific voltage level, which specify when the device output is no longer driving (t_{HZ} , t_{RPST}), or begins driving (t_{LZ} , t_{RPRE}). t_{HZ} and t_{LZ} transitions occur in the same access time windows as valid data transitions. These parameters are verified by design and characterization, but not subject to production test.
13. The Auto-Refresh command interval has been reduced to 3.9 μ s when operating the DDR2 DRAM in a temperature range between 85 °C and 95 °C.
14. 0 ~ $T_{CASE} \sim 85$ °C
15. 85 °C < $T_{CASE} \sim 95$ °C
16. x4 & x8 (1k page size)
17. The t_{RRD} timing parameter depends on the page size of the DRAM organization.
18. x16 (2k page size), not on 256Mbit component
19. The maximum limit for the t_{WPST} parameter is not a device limit. The device operates with a greater value for this parameter, but system performance (bus turnaround) degrades accordingly.
20. Minimum t_{WTR} is two clocks when operating the DDR2-SDRAM at frequencies ≤ 200 MHz
21. User can choose two different active power-down modes for additional power saving via MRS address bit A12. In "standard active power-down mode" (MR, A12 = "0") a fast power-down exit timing t_{XARD} can be used. In "low active power-down mode" (MR, A12 = "1") a slow power-down exit timing t_{XARDS} has to be satisfied.

Table 54 Timing Parameter by Speed Grade - DDR2-400B & DDR2-533C

Parameter	Symbol	DDR2-533C		DDR2-400B		Unit	Note 1)2)3)4)5) 6)
		Min.	Max.	Min.	Max.		
DQ output access time from CK / CK	t_{AC}	-500	+500	-600	+600	ps	
CAS A to CAS B command period	t_{CCD}	2	—	2	—	t_{CK}	
CK, CK high-level width	t_{CH}	0.45	0.55	0.45	0.55	t_{CK}	
CKE minimum high and low pulse width	t_{CKE}	3	—	3	—	t_{CK}	
CK, CK low-level width	t_{CL}	0.45	0.55	0.45	0.55	t_{CK}	
Auto-Precharge write recovery + precharge time	t_{DAL}	$WR + t_{RP}$	—	$WR + t_{RP}$	—	t_{CK}	7)
Minimum time clocks remain ON after CKE asynchronously drops LOW	t_{DELAY}	$t_{IS} + t_{CK} + t_{IH}$	—	$t_{IS} + t_{CK} + t_{IH}$	—	ns	8)
DQ and DM input hold time (differential data strobe)	$t_{DH(base)}$	225	—	275	—	ps	9)
DQ and DM input hold time (single ended data strobe)	$t_{DH1(base)}$	-25	—	25	—	ps	9)

DQ and DM input pulse width (each input)	t_{DIPW}	0.35	—	0.35	—	t_{CK}	
DQS output access time from CK / CK	t_{DQSCK}	-450	+450	-500	+500	ps	
DQS input low (high) pulse width (write cycle)	$t_{DQSL,H}$	0.35	—	0.35	—	t_{CK}	
DQS-DQ skew (for DQS & associated DQ signals)	t_{DQSQ}	—	300	—	350	ps	10)
Write command to 1st DQS latching transition	t_{DQSS}	WL - 0.25	WL + 0.25	WL - 0.25	WL + 0.25	t_{CK}	
DQ and DM input setup time (differential data strobe)	$t_{DS(base)}$	100	—	150	—	ps	9)
DQ and DM input setup time (single ended data strobe)	$t_{DS1(base)}$	-25	—	25	—	ps	9)
DQS falling edge hold time from CK (write cycle)	t_{DSH}	0.2	—	0.2	—	t_{CK}	
DQS falling edge to CK setup time (write cycle)	t_{DSS}	0.2	—	0.2	—	t_{CK}	
Clock half period	t_{HP}	MIN. (t_{CL} , t_{CH})		MIN. (t_{CL} , t_{CH})			11)
Data-out high-impedance time from CK / CK	t_{HZ}	—	$t_{AC,MAX}$	—	$t_{AC,MAX}$	ps	12)
Address and control input hold time	$t_{IH(base)}$	375	—	475	—	ps	9)
Address and control input pulse width (each input)	t_{IPW}	0.6	—	0.6	—	t_{CK}	
Address and control input setup time	$t_{IS(base)}$	250	—	350	—	ps	9)
DQ low-impedance time from CK / CK	$t_{LZ(DQ)}$	$2 \times t_{AC,MIN}$	$t_{AC,MAX}$	$2 \times t_{AC,MIN}$	$t_{AC,MAX}$	ps	12)
DQS low-impedance from CK / CK	$t_{LZ(DQS)}$	$t_{AC,MIN}$	$t_{AC,MAX}$	$t_{AC,MIN}$	$t_{AC,MAX}$	ps	12)
Mode register set command cycle time	t_{MRD}	2	—	2	—	t_{CK}	
OCD drive mode output delay	t_{OIT}	0	12	0	12	ns	
Data output hold time from DQS	t_{QH}	$t_{HP} - t_{QHS}$	—	$t_{HPQ} - t_{QHS}$	—		
Data hold skew factor	t_{QHS}	—	400	—	450	ps	
Average periodic refresh Interval	t_{REFI}	—	7.8	—	7.8	μs	13)14)
		—	3.9	—	3.9	μs	13)15)
Auto-Refresh to Active/Auto-Refresh command period	t_{RFC}	105	—	105	—	ns	1)
Read preamble	t_{RPRE}	0.9	1.1	0.9	1.1	t_{CK}	12)
Read postamble	t_{RPST}	0.40	0.60	0.40	0.60	t_{CK}	12)
Active bank A to Active bank B command period	t_{RRD}	7.5	—	7.5	—	ns	16)17)
		10	—	10	—	ns	18)17)
Internal Read to Precharge command delay	t_{RTP}	7.5	—	7.5	—	ns	

Write preamble	t_{WPRE}	$0.35xt_{CK}$	—	$0.35xt_{CK}$	—	t_{CK}	
Write postamble	t_{WPST}	0.40	0.60	0.40	0.60	t_{CK}	19)
Write recovery time for write without Auto-Precharge	t_{WR}	15	—	15	—	ns	
Write recovery time for write with Auto-P recharge	WR	t_{WR}/t_{CK}		t_{WR}/t_{CK}		t_{CK}	
Internal Write to Read command delay	t_{WTR}	7.5	—	10	—	ns	20)
Exit power down to any valid command (other than NOP or Deselect)	t_{XARD}	2	—	2	—	t_{CK}	21)
Exit active power-down mode to Read command (slow exit, lower power)	t_{XARDS}	6 – AL	—	6 – AL	—	t_{CK}	21)
Exit precharge power-down to any valid command (other than NOP or Deselect)	t_{XP}	2	—	2	—	t_{CK}	
Exit Self-Refresh to non-Read command	t_{XSNR}	$t_{RFC} + 10$	—	$t_{RFC} + 10$	—	ns	
Exit Self-Refresh to Read command	t_{XSRD}	200	—	200	—	t_{CK}	

- $V_{DDQ} = 1.8V \pm 0.1 V$; $V_{DD} = 1.8V \pm 0.1 V$.
- Timing that is not specified is illegal and after such an event, in order to guarantee proper operation, the DRAM must be powered down and then restarted through the specified initialization sequence before normal operation can continue.
- Timings are guaranteed with CK/CK differential Slew Rate of 2.0 V/ns. For DQS signals timings are guaranteed with a differential Slew Rate of 2.0 V/ns in differential strobe mode and a Slew Rate of 1 V/ns in single ended mode. Timings are further guaranteed for normal OCD drive strength (EMRS(1) A1= 0) under the Reference Load for Timing Measurements.
- The CK/CK input reference level (for timing reference to CK/CK) is the point at which CK and CK cross. The DQS/DQS, RDQS/RDQS, input reference level is the crosspoint when in differential strobe mode; The input reference level for signals other than CK/CK, DQS/DQS, RDQS/RDQS.
- Inputs are not recognized as valid until V_{REF} stabilizes. During the period before V_{REF} stabilizes, $CKE = 0.2 \times V_{DDQ}$ is recognized as low.
- The output timing reference voltage level is V_{TT} . For the reference load for timing measurements.
- For each of the terms, if not already an integer, round to the next highest integer. t_{CK} refers to the application clock period. WR refers to the WR parameter stored in the MR.
- The clock frequency is allowed to change during self-refresh mode or precharge power-down mode. In case of clock frequency change during power-down.
- For Slew Rate and Slew Rate derating timing definition.
- Consists of data pin skew and output pattern effects, and p-channel to n-channel variation of the output drivers as well as output Slew Rate mis-match between DQS/DQS and associated DQ in any given cycle.
- MIN (t_{CL} , t_{CH}) refers to the smaller of the actual clock low time and the actual clock high time as provided to the device (i.e. this value can be greater than the minimum specification limits for t_{CL} and t_{CH}).
- The t_{HZ} , t_{RPST} and t_{LZ} , t_{RPRE} parameters are referenced to a specific voltage level, which specify when the device output is no longer driving (t_{HZ} , t_{RPST}), or begins driving (t_{LZ} , t_{RPRE}). t_{HZ} and t_{LZ} transitions occur in the same access time windows as valid data transitions. These parameters are verified by design and

characterization, but not subject to production test.

13. The Auto-Refresh command interval has be reduced to 3.9 μ s when operating the DDR2 DRAM in a temperature range between 85 °C and 95 °C.
14. 0 ~ T_{CASE} ~ 85 °C
15. 85 °C < T_{CASE} ~ 95 °C
16. x4 & x8 (1k page size)
17. The t_{RRD} timing parameter depends on the page size of the DRAM organization.
18. x16 (2k page size), not on 256Mbit component
19. The maximum limit for the t_{WPST} parameter is not a device limit. The device operates with a greater value for this parameter, but system performance (bus turnaround) degrades accordingly.
20. Minimum t_{WTR} is two clocks when operating the DDR2-SDRAM at frequencies \leq 200MHz
21. User can choose two different active power-down modes for additional power saving via MRS address bit A12. In "standard active power-down mode" (MR, A12 = "0") a fast power-down exit timing t_{XARD} can be used. In "low active power-down mode" (MR, A12 = "1") a slow power-down exit timing t_{XARDS} has to be satisfied.

10.3 ODT AC Electrical Characteristics
Table 55 ODT AC Electrical Characteristics and Operating Conditions for DDR2-667

Symbol	Parameter / Condition	Values		Unit	Note
		Min.	Max.		
t_{AOND}	ODT turn-on delay	2	2	t_{CK}	
t_{AON}	ODT turn-on	$t_{AC,MIN}$	$t_{AC,MAX} + 0.7 \text{ ns}$	ns	1)
t_{AONPD}	ODT turn-on (Power-Down Modes)	$t_{AC,MIN} + 2 \text{ ns}$	$2 t_{CK} + t_{AC,MAX} + 1 \text{ ns}$	ns	
t_{AOFD}	ODT turn-off delay	2.5	2.5	t_{CK}	
t_{AOF}	ODT turn-off	$t_{AC,MIN}$	$t_{AC,MAX} + 0.6 \text{ ns}$	ns	2)
t_{AOFPD}	ODT turn-off (Power-Down Modes)	$t_{AC,MIN} + 2 \text{ ns}$	$2.5 t_{CK} + t_{AC,MAX} + 1 \text{ ns}$	ns	
t_{ANPD}	ODT to Power Down Mode Entry Latency	3	—	t_{CK}	
t_{AXPD}	ODT Power Down Exit Latency	8	—	t_{CK}	

1. ODT turn on time min. is when the device leaves high impedance and ODT resistance begins to turn on. ODT turn on time max is when the ODT resistance is fully on. Both are measure from t_{AOND} .
2. ODT turn off time min. is when the device starts to turn off ODT resistance. ODT turn off time max is when the bus is in high impedance. Both are measured from t_{AOFD} .

Table 56 ODT AC Electrical Characteristics and Operating Conditions for DDR2-533 and DDR2-400

Symbol	Parameter / Condition	Values		Unit	Note
		Min.	Max.		
t_{AOND}	ODT turn-on delay	2	2	t_{CK}	
t_{AON}	ODT turn-on	$t_{AC,MIN}$	$t_{AC,MAX} + 1 \text{ ns}$	ns	1)
t_{AONPD}	ODT turn-on (Power-Down Modes)	$t_{AC,MIN} + 2 \text{ ns}$	$2 t_{CK} + t_{AC,MAX} + 1 \text{ ns}$	ns	
t_{AOFD}	ODT turn-off delay	2.5	2.5	t_{CK}	
t_{AOF}	ODT turn-off	$t_{AC,MIN}$	$t_{AC,MAX} + 0.6 \text{ ns}$	ns	2)
t_{AOFPD}	ODT turn-off (Power-Down Modes)	$t_{AC,MIN} + 2 \text{ ns}$	$2.5 t_{CK} + t_{AC,MAX} + 1 \text{ ns}$	ns	
t_{ANPD}	ODT to Power Down Mode Entry Latency	3	—	t_{CK}	
t_{AXPD}	ODT Power Down Exit Latency	8	—	t_{CK}	

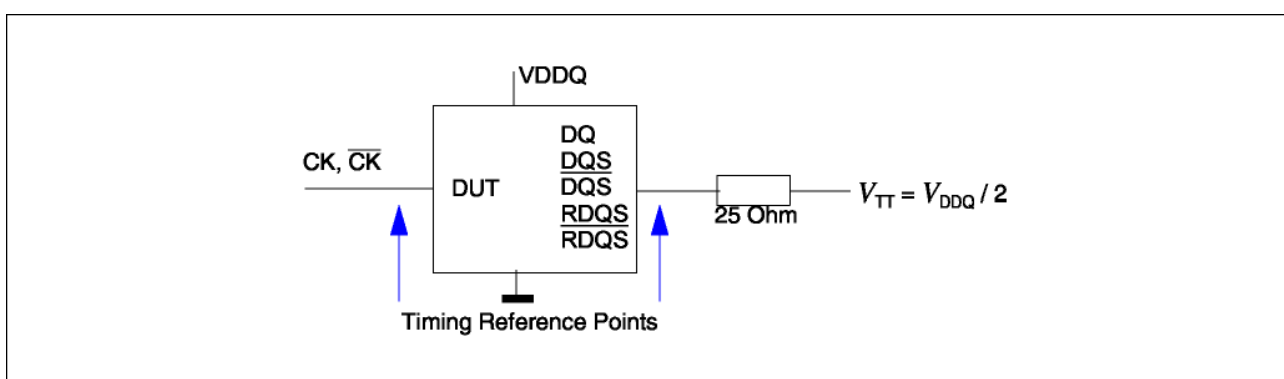
1. ODT turn on time min. is when the device leaves high impedance and ODT resistance begins to turn on. ODT turn on time max is when the ODT resistance is fully on. Both are measure from t_{AOND} .
2. ODT turn off time min. is when the device starts to turn off ODT resistance. ODT turn off time max is when the bus is in high impedance. Both are measured from t_{AOFD} .

11. AC Timing Measurement Conditions

11.1 Reference Load for Timing Measurements

Figure represents the timing reference load used in defining the relevant timing parameters of the device. It is not intended to either a precise representation of the typical system environment nor a depiction of the actual load presented by a production tester. System designers should use IBIS or other simulation tools to correlate the timing reference load to a system environment. Manufacturers correlate to their production test conditions, generally a coaxial transmission line terminated at the tester electronics. This reference load is also used for output Slew Rate characterization. The output timing reference voltage level for single ended signals is the crosspoint with V_{TT} .

The output timing reference voltage level for differential signals is the crosspoint of the true (e.g. DQS) and the complement (e.g. \overline{DQS}) signal.



11.2 Slew Rate Measurement Conditions

Output Slew Rate

For DQ and single ended DQS signals output Slew Rate for falling and rising edges is measured between $V_{TT} - 250$ mV and $V_{TT} + 250$ mV. For differential signals (DQS / \overline{DQS}) output Slew Rate is measured between $DQS - \overline{DQS} = -500$ mV and $DQS - \overline{DQS} = +500$ mV. Output Slew Rate is defined with the reference load and verified by design and characterization, but not subject to production test.

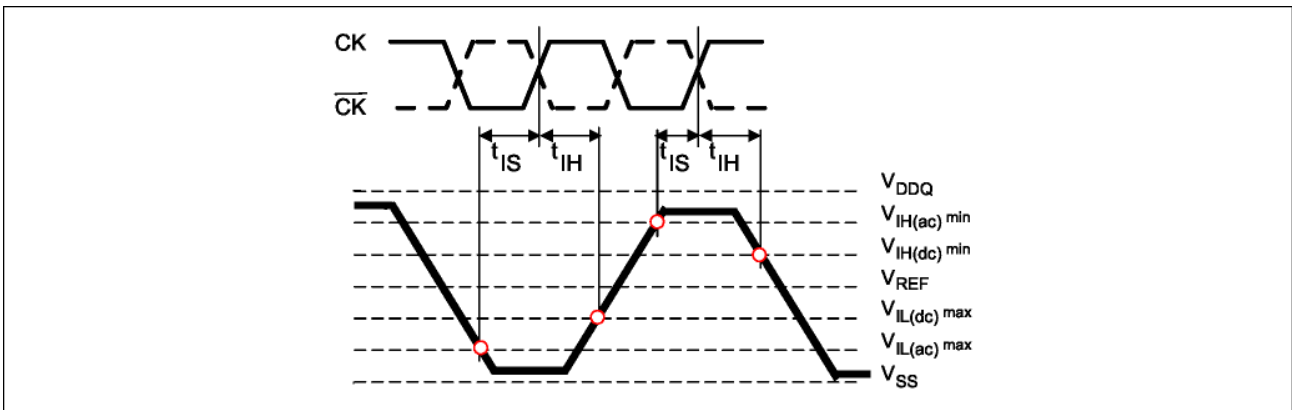
Input Slew Rate - Differential signals

Input Slew Rate for differential signals (CK / \overline{CK} , DQS / \overline{DQS} , RDQS / \overline{RDQS}) for rising edges are measured from $CK - \overline{CK} = -250$ mV to $CK - \overline{CK} = +500$ mV and from $CK - \overline{CK} = +250$ mV to $CK - \overline{CK} = -500$ mV for falling edges.

11.3 Input and Data Setup and Hold Time

11.3.1 Definition for Input Setup (t_{IS}) and Hold Time (t_{IH})

Address and control input setup time (t_{IS}) is referenced from the input signal crossing at the $V_{IH(ac)}$ level for a rising signal and $V_{IL(ac)}$ for a falling signal applied to the device under test. Address and control input hold time (t_{IH}) is referenced from the input signal crossing at the $V_{IL(dc)}$ level for a rising signal and $V_{IH(dc)}$ for a falling signal applied to the device under test.

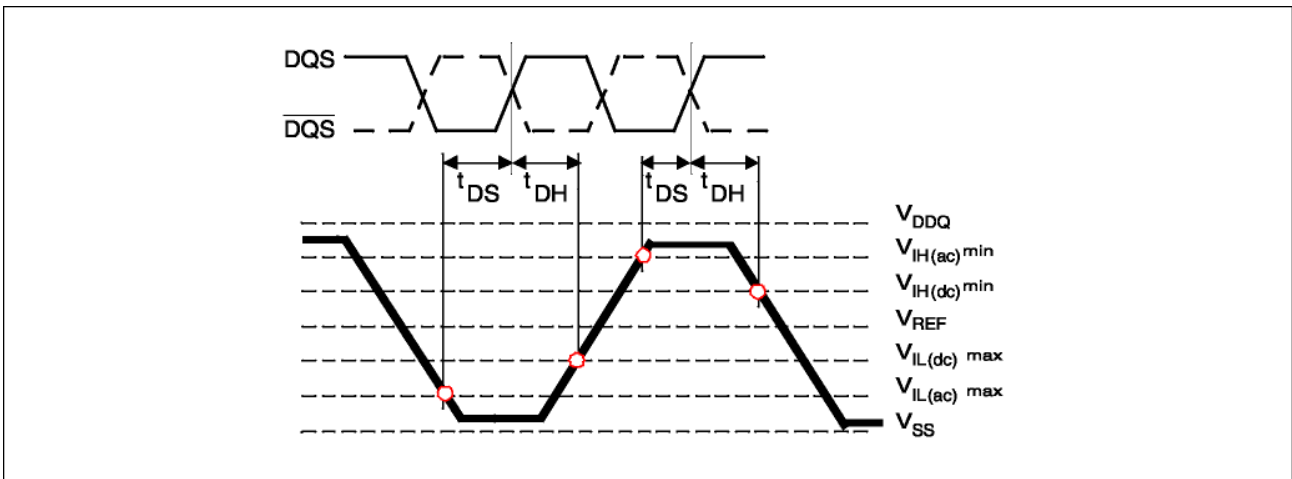


11.3.2 Definition for Data Setup (t_{DS}) and Hold Time (t_{DH}), differential Data Strobes

Data input setup time (t_{DS}) with differential data strobe enabled MR[bit10]=0, is referenced from the input signal crossing at the $V_{IH(ac)}$ level to the differential data strobe crosspoint for a rising signal, and from the input signal crossing at the $V_{IL(ac)}$ level to the differential data strobe crosspoint for a falling signal applied to the device under test.

DQS! \overline{DQS} signals must be monotonic between $V_{IL(dc),MAX}$ and $V_{IH(dc),MIN}$. Data input hold time (t_{DH}) with differential data strobe enabled MR[bit10]=0, is referenced from the input signal crossing at the $V_{IL(dc)}$ level to the differential data strobe crosspoint for a rising signal and $V_{IH(dc)}$ to the differential data strobe crosspoint for a falling signal applied to the device under test.

DQS! \overline{DQS} signals must be monotonic between $V_{IL(dc),MAX}$ and $V_{IH(dc),MIN}$.



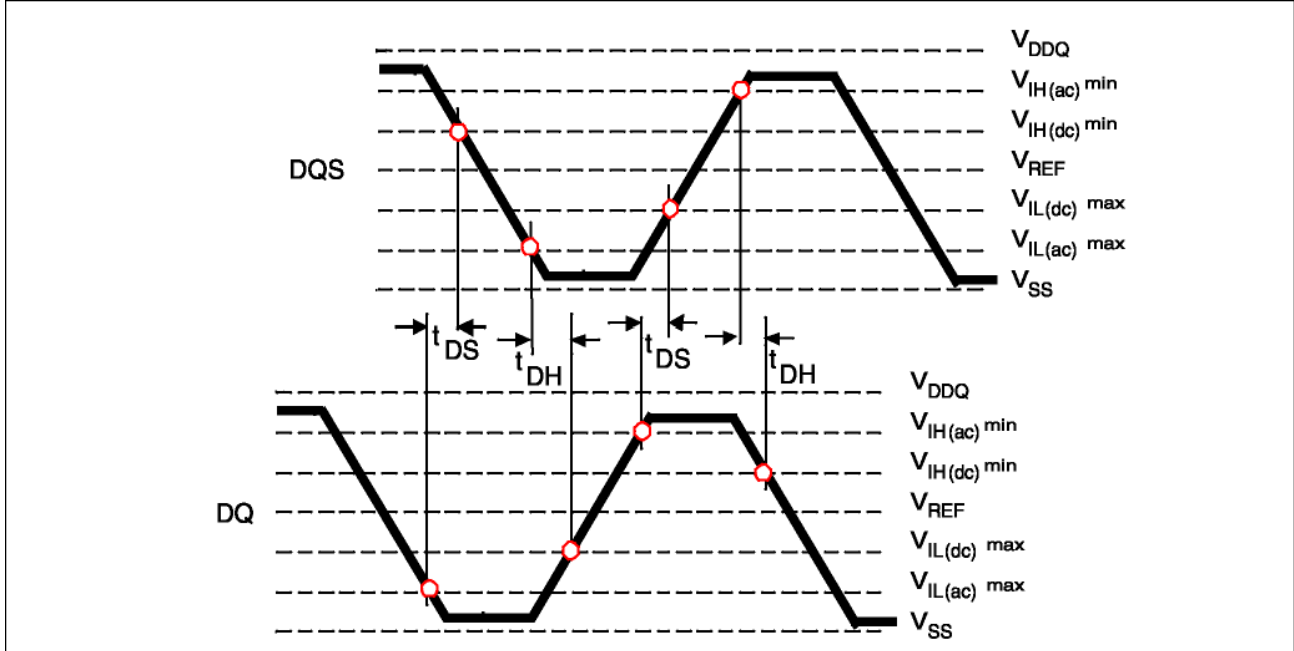
11.3.3 Definition Data Setup (t_{DS1}) and Hold Time (t_{DH1}), Single-Ended Data Strobes

Data input setup time (t_{DS1}) with single-ended data strobe enabled MR[bit10]=1, is referenced from the input signal crossing at the $V_{IH(ac)}$ level to the single-ended data strobe crossing $V_{IH/L(dc)}$ at the start of its transition for a rising signal, and from the input signal crossing at the $V_{IL(ac)}$ level to the single-ended data strobe crossing $V_{IH/L(dc)}$ at the start of its transition for a falling signal applied to the device under test

Data input hold time (t_{DH1}) with single-ended data strobe enabled MR[bit10]=1, is referenced from the input signal crossing at the $V_{IH(dc)}$ level to the single-ended data strobe crossing $V_{IH/L(ac)}$ at the end of its transition for a rising signal and from the input signal crossing at the $V_{IL(dc)}$ level to the single-ended data strobe crossing $V_{IH/L(ac)}$

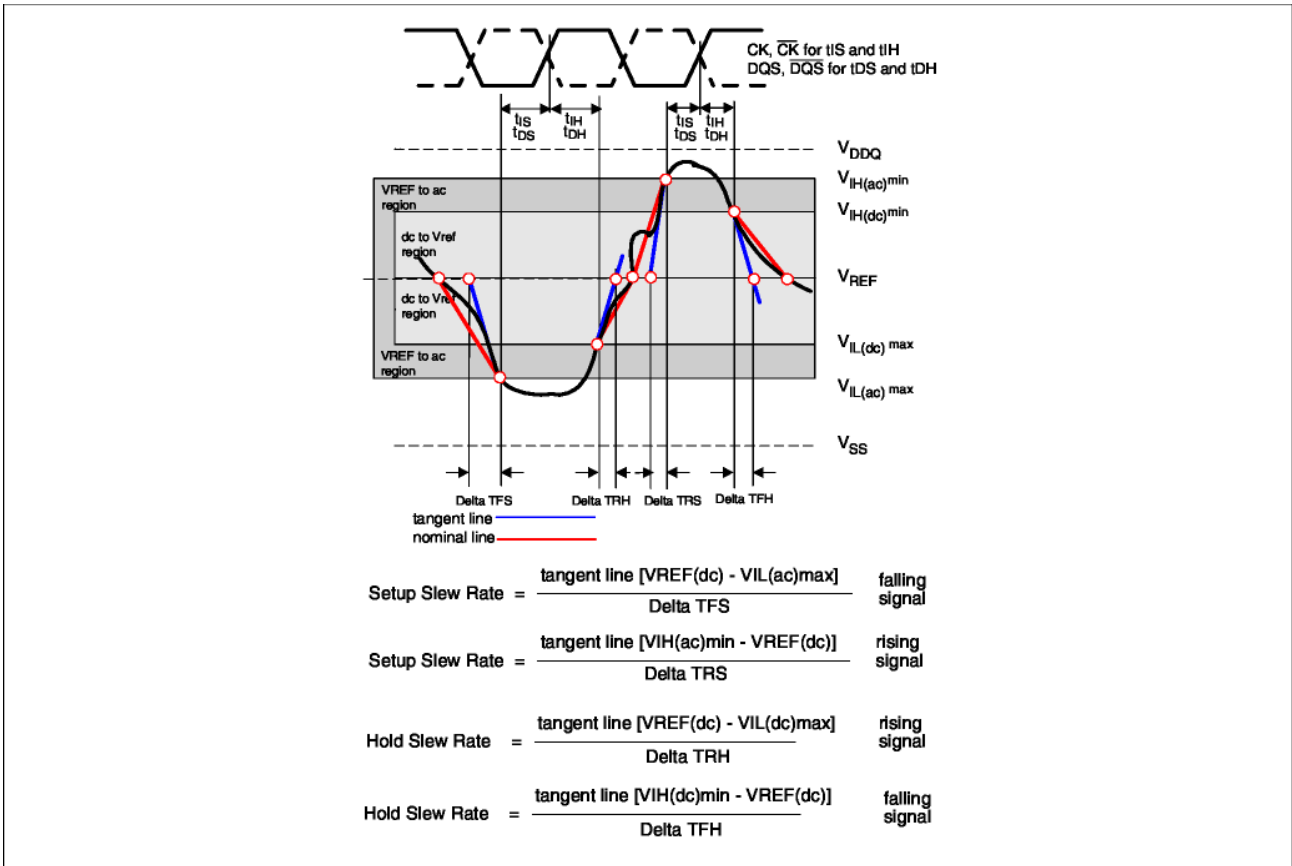
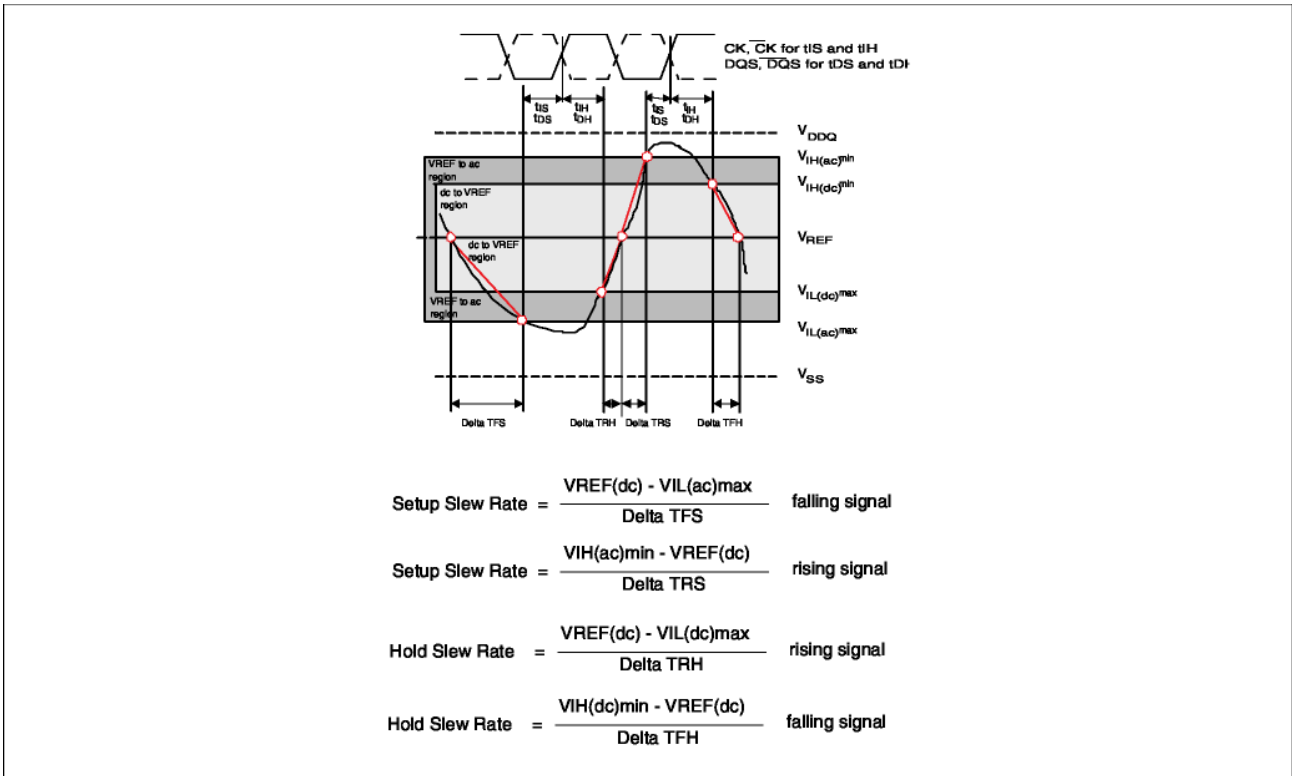
at the end of its transition for a falling signal applied to the device under test.

The DQS signal must be monotonic between $V_{IL(dc).MAX}$ and $V_{IH(dc).MIN}$.



11.3.4 Slew Rate Definition for Input and Data Setup and Hold Times

Setup (t_{IS} & t_{DS}) nominal Slew Rate for a rising signal is defined as the Slew Rate between the last crossing of $V_{REF(dc)}$ and the first crossing of $V_{IH(ac).MIN}$. Setup (t_{IS} & t_{DS}) nominal Slew Rate for a falling signal is defined as the Slew Rate between the last crossing of $V_{REF(dc)}$ and the first crossing of $V_{IL(ac).MAX}$. If the actual signal is always earlier than the nominal Slew Rate line between shaded ' $V_{REF(dc)}$ to ac region', use nominal Slew Rate for derating value. If the actual signal is later than the nominal Slew Rate line anywhere between shaded ' $V_{REF(dc)}$ to ac region', the Slew Rate of a tangent line to the actual signal from the ac level to dc level is used for derating value. Hold (t_{IH} & t_{DH}) nominal Slew Rate for a rising signal is defined as the Slew Rate between the last crossing of $V_{IL(dc).MAX}$ and the first crossing of $V_{REF(dc)}$. Hold (t_{IH} & t_{DH}) nominal Slew Rate for a falling signal is defined as the Slew Rate between the last crossing of $V_{IH(dc).MIN}$ and the first crossing of $V_{REF(dc)}$. If the actual signal is always later than the nominal Slew Rate line between shaded 'dc to V_{REF} region', use nominal Slew Rate for derating value. If the actual signal is earlier than the actual signal from the dc level to V_{REF} level is used for derating value.



11.3.5 Setup (t_{IS}) and Hold (t_{IH}) Time Derating Tables

1. For all input signals the total input setup time and input hold time required is calculated by adding the data sheet value to the derating value respectively. Example: $t_{IS}(\text{total setup time}) = t_{IS}(\text{base}) + \Delta t_{IS}$
2. For slow Slew Rate the total setup time might be negative (i.e. a valid input signal will not have reached $V_{IH(ac)}$ / $V_{IL(ac)}$ at the time of the rising clock) a valid input signal is still required to complete the transition and reach $V_{IH(ac)}$ / $V_{IL(ac)}$. For Slew Rates in between the values listed in the next tables, the derating values may be obtained by linear interpolation. These values are not subject to production test. They are verified only by design and characterization.

Table 57 Derating Values for Input Setup and Hold Time (DDR2-667)

Command / Address Slew Rate (V/ns)	CK, CK Differential Slew Rate						Unit	Note
	2.0 V/ns		1.5 V/ns		1.0 V/ns			
	Δt_{IS}	Δt_{IH}	Δt_{IS}	Δt_{IH}	Δt_{IS}	Δt_{IH}		
4.0	+150	+94	+180	+124	+210	+154	ps	1)2)
3.5	+143	+89	+173	+119	+203	+149	ps	1)
3.0	+133	+83	+163	+113	+193	+143	ps	1)
2.5	+120	+75	+150	+105	+180	+135	ps	1)
2.0	+100	+45	+130	+75	+160	+105	ps	1)
1.5	+67	+21	+97	+51	+127	+81	ps	1)
1.0	0	0	+30	+30	+60	+60	ps	1)
0.9	-5	-14	+25	+16	+55	+46	ps	1)
0.8	-13	-31	+17	-1	+47	+29	ps	1)
0.7	-22	-54	+8	-24	+38	+6	ps	1)
0.6	-34	-83	-4	-53	+26	-23	ps	1)
0.5	-60	-125	-30	-95	0	-65	ps	1)
0.4	-100	-188	-70	-158	-40	-128	ps	1)
0.3	-168	-292	-138	-262	-108	-232	ps	1)
0.25	-200	-375	-170	-345	-140	-315	ps	1)
0.2	-325	-500	-295	-470	-265	-440	ps	1)
0.15	-517	-708	-487	-678	-457	-648	ps	1)
0.1	-1000	-1125	-970	-1095	-940	-1065	ps	1)

1. For all input signals $t_{IS}(\text{total}) = t_{IS}(\text{base}) + \Delta t_{IS}$ and $t_{IH}(\text{total}) = t_{IH}(\text{base}) + \Delta t_{IH}$
2. For slow slewwrate the total setup time might be negative (i.e. valid input signal will not have reached $V_{IH(ac)}$ / $V_{IL(ac)}$ at the time of the rising clock) a valid signal is still required to complete the transition and reach $V_{IH(ac)}$ / $V_{IL(ac)}$. For slew rates in between the values listed in the next tables, the derating values may be obtained by linear interpolation. These values are not subject to production test. They are verified only by design and characterisation.

Table 58 Derating Values for Input Setup and Hold Time (DDR2-400 & DDR2-533)

Command / Address Slew Rate (V/ns)	CK, CK Differential Slew Rate						Unit	Note
	2.0 V/ns		1.5 V/ns		1.0 V/ns			
	Δt_{IS}	Δt_{IH}	Δt_{IS}	Δt_{IH}	Δt_{IS}	Δt_{IH}		
4.0	+187	+94	+217	+124	+247	+154	ps	1)2)
3.5	+179	+89	+209	+119	+239	+149	ps	1)
3.0	+167	+83	+197	+113	+227	+143	ps	1)
2.5	+150	+75	+180	+105	+210	+135	ps	1)
2.0	+125	+45	+155	+75	+185	+105	ps	1)
1.5	+83	+21	+113	+51	+143	+81	ps	1)
1.0	0	0	+30	+30	+60	+60	ps	1)
0.9	-11	-14	+19	+16	+49	+46	ps	1)
0.8	-25	-31	+5	-1	+35	+29	ps	1)
0.7	-43	-54	-13	-24	+17	+6	ps	1)
0.6	-67	-83	-37	-53	-7	-23	ps	1)
0.5	-110	-125	-80	-95	-50	-65	ps	1)
0.4	-175	-188	-145	-158	-115	-128	ps	1)
0.3	-285	-292	-255	-262	-225	-232	ps	1)
0.25	-350	-375	-320	-345	-290	-315	ps	1)
0.2	-525	-500	-495	-470	-465	-440	ps	1)
0.15	-800	-708	-770	-678	-740	-648	ps	1)
0.1	-1450	-1125	-1420	-1095	-1390	-1065	ps	1)

- For all input signals $t_{IS}(\text{total}) = t_{IS}(\text{base}) + \Delta t_{IS}$ and $t_{IH}(\text{total}) = t_{IH}(\text{base}) + \Delta t_{IH}$
- For slow slewrates the total setup time might be negative (i.e. valid input signal will not have reached $V_{IH(ac)} / V_{IL(ac)}$ at the time of the rising clock) a valid signal is still required to complete the transition and reach $V_{IH(ac)} / V_{IL(ac)}$. For slewrates in between the values listed in the next tables, the derating values may be obtained by linear interpolation. These values are not subject to production test. They are verified only by design and characterisation.

Table 59 Derating Values for Data Setup and Hold Time of Differential DQS (DDR2-667)

DQ Slew Rate (V/ns)	DQS, DQS Differential Slew Rate ¹⁾²⁾																	
	4.0 V/ns		3.0 V/ns		2.0 V/ns		1.8 V/ns		1.6 V/ns		1.4 V/ns		1.2 V/ns		1.0 V/ns		0.8 V/ns	
	Δt_{DS}	Δt_{DH}	Δt_{DS}	Δt_{DH}	Δt_{DS}	Δt_{DH}	Δt_{DS}	Δt_{DH}	Δt_{DS}	Δt_{DH}	Δt_{DS}	Δt_{DH}	Δt_{DS}	Δt_{DH}	Δt_{DS}	Δt_{DH}	Δt_{DS}	Δt_{DH}
2.0	+100	+45	+100	+45	+100	+45	—	—	—	—	—	—	—	—	—	—	—	—
1.5	+67	+21	+67	+21	+67	+21	+97	+33	—	—	—	—	—	—	—	—	—	—
1.0	0	0	0	0	0	0	+12	+12	+24	+24	—	—	—	—	—	—	—	—
0.9	—	—	-5	-14	-5	-14	+7	-2	+19	+10	+31	+22	—	—	—	—	—	—
0.8	—	—	—	—	-13	-31	-1	-19	+11	-7	+23	+5	+35	+17	—	—	—	—
0.7	—	—	—	—	—	—	-10	-42	+2	-30	+14	-18	+26	-6	+38	+6	—	—
0.6	—	—	—	—	—	—	—	—	-10	-59	+2	-47	+14	-35	+26	-23	+538	-11
0.5	—	—	—	—	—	—	—	—	—	—	-24	-89	-12	-77	0	-65	+12	-53
0.4	—	—	—	—	—	—	—	—	—	—	—	—	-52	-140	-20	-128	-28	-116

1. All units in ps.

2. For all input signals $t_{DS}(\text{total}) = t_{DS}(\text{base}) + \Delta t_{DS}$ and $t_{DH}(\text{total}) = t_{DH}(\text{base}) + \Delta t_{DH}$

Table 60 Derating Values for Data Setup and Hold Time of Differential DQS (DDR2-400 & -533)

DQ Slew Rate (V/ns)	DQS, DQS Differential Slew Rate ¹⁾²⁾																	
	4.0 V/ns		3.0 V/ns		2.0 V/ns		1.8 V/ns		1.6 V/ns		1.4 V/ns		1.2 V/ns		1.0 V/ns		0.8 V/ns	
	Δt_{DS}	Δt_{DH}	Δt_{DS}	Δt_{DH}	Δt_{DS}	Δt_{DH}	Δt_{DS}	Δt_{DH}	Δt_{DS}	Δt_{DH}	Δt_{DS}	Δt_{DH}	Δt_{DS}	Δt_{DH}	Δt_{DS}	Δt_{DH}	Δt_{DS}	Δt_{DH}
2.0	+125	+45	+125	+45	+125	+45	—	—	—	—	—	—	—	—	—	—	—	—
1.5	+83	+21	+83	+21	+83	+21	+95	+33	—	—	—	—	—	—	—	—	—	—
1.0	0	0	0	0	0	0	+12	+12	+24	+24	—	—	—	—	—	—	—	—
0.9	—	—	-11	-14	-11	-14	+1	-2	+13	+10	+25	+22	—	—	—	—	—	—
0.8	—	—	—	—	-25	-31	-13	-19	-1	-7	+11	+5	+23	+17	—	—	—	—
0.7	—	—	—	—	—	—	-31	-42	-19	-30	-7	-18	+5	-6	+17	+6	—	—
0.6	—	—	—	—	—	—	—	—	-43	-59	-31	-47	-19	-35	-7	-23	+5	-11
0.5	—	—	—	—	—	—	—	—	—	—	-74	-89	-62	-77	-50	-65	-38	-53
0.4	—	—	—	—	—	—	—	—	—	—	—	—	-127	-140	-115	-128	-103	-116

1. All units in ps.

2. For all input signals $t_{DS}(\text{total}) = t_{DS}(\text{base}) + \Delta t_{DS}$ and $t_{DH}(\text{total}) = t_{DH}(\text{base}) + \Delta t_{DH}$

Table 60 Derating Values for Data Setup and Hold Time of Single-ended DQS (DDR2-400 & -533)

DQ Slew Rate (V/ns)	DQS, DQS Single-ended Slew Rate ¹⁾²⁾																	
	2.0 V/ns		1.5 V/ns		1.0 V/ns		0.9 V/ns		0.8 V/ns		0.7 V/ns		0.6 V/ns		0.5 V/ns		0.4 V/ns	
	Δt_{DS1}	Δt_{DH1}	Δt_{DS1}	Δt_{DH1}	Δt_{DS1}	Δt_{DH1}	Δt_{DS1}	Δt_{DH1}	Δt_{DS1}	Δt_{DH1}	Δt_{DS1}	Δt_{DH1}	Δt_{DS1}	Δt_{DH1}	Δt_{DS1}	Δt_{DH1}	Δt_{DS1}	Δt_{DH1}
2.0	+188	+188	+167	+146	+125	+63	—	—	—	—	—	—	—	—	—	—	—	—
1.5	+146	+167	+125	+125	+83	+42	+81	+43	—	—	—	—	—	—	—	—	—	—
1.0	+63	+125	+42	+83	0	0	-2	+1	-7	-13	—	—	—	—	—	—	—	—
0.9	—	—	+31	+69	-11	-14	-13	-13	-18	-27	-29	-45	—	—	—	—	—	—
0.8	—	—	—	—	-25	-31	-27	-30	-32	-44	-43	-62	-60	-86	—	—	—	—
0.7	—	—	—	—	—	—	-45	-53	-50	-67	-61	-85	-78	-109	-108	-152	—	—
0.6	—	—	—	—	—	—	—	—	-74	-96	-85	-114	-102	-138	-132	-181	-183	-246
0.5	—	—	—	—	—	—	—	—	—	—	-128	-156	-145	-180	-175	-223	-226	-288
0.4	—	—	—	—	—	—	—	—	—	—	—	—	-210	-243	-240	-286	-291	-351

1. All units in ps.

2. For all input signals $t_{DS1}(\text{total}) = t_{DS1}(\text{base}) + \Delta t_{DS1}$ and $t_{DH1}(\text{total}) = t_{DH1}(\text{base}) + \Delta t_{DH1}$

12. Package Dimensions

Figure Package Pinout PG-TFBGA-60 (top view)

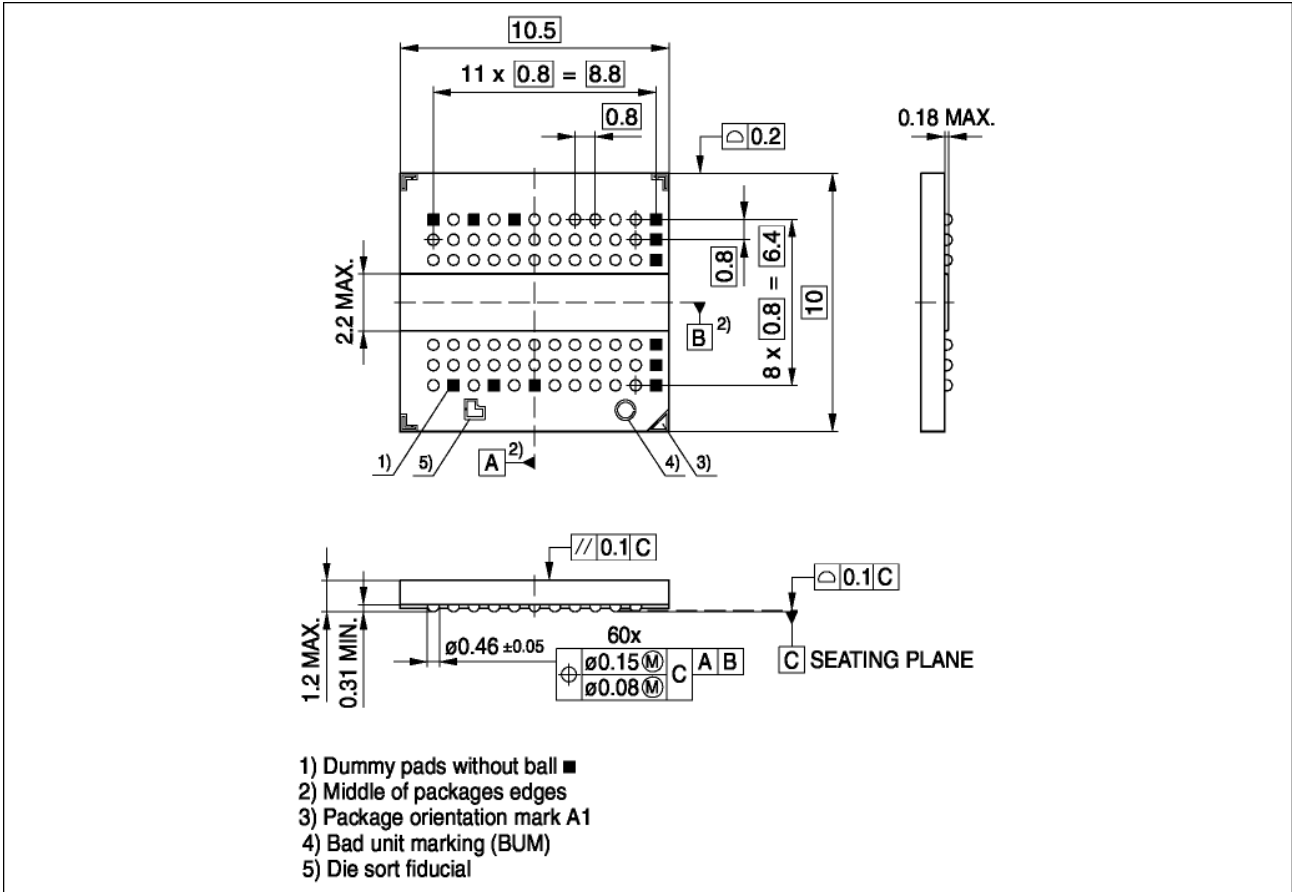
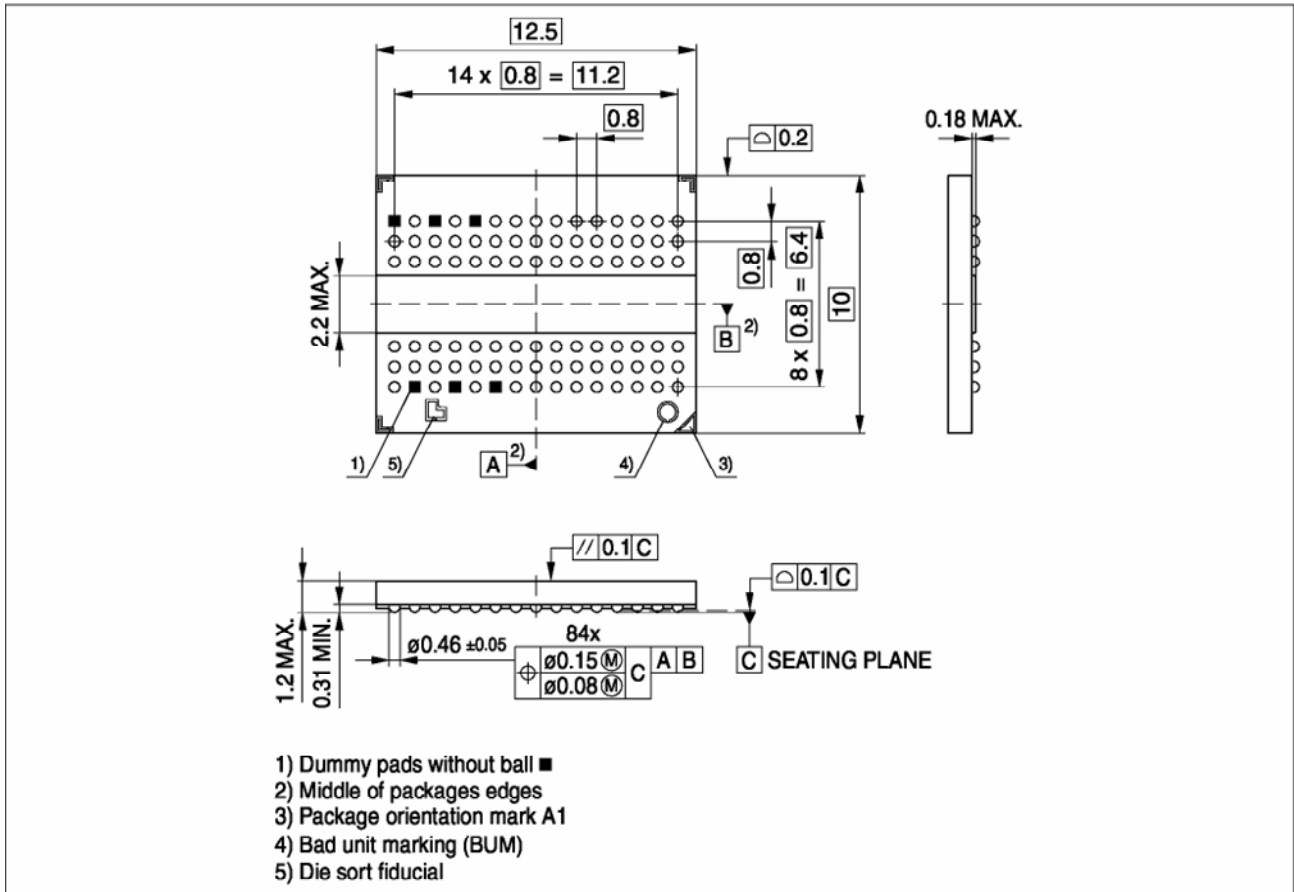


Figure Package Pinout PG-TFBGA-84 (top view)



13. VERSION HISTORY

VERSION	DATE	PAGE	DESCRIPTION
A00	07/24/2005	—	Initial Issued
A01	06/30/2005	—	Modified all parameter

Important Notice

Pointec products are not designed, intended, authorized or warranted for use as components in systems or equipment intended for surgical implantation, atomic energy control instruments, airplane or spaceship instruments, transportation instruments, traffic signal instruments, combustion control instruments, or for other applications intended to support or sustain life. Further more, Pointec products are not intended for applications wherein failure of Pointec products could result or lead to a situation wherein personal injury, death or severe property or environmental damage could occur.

Pointec customers using or selling these products for use in such applications do so at their own risk and agree to fully indemnify Pointec for any damages resulting from such improper use or sales.